

# TABULAR DATA SHEET

## Outdoor Split System Heat Pump 2 Thru 4 Tons

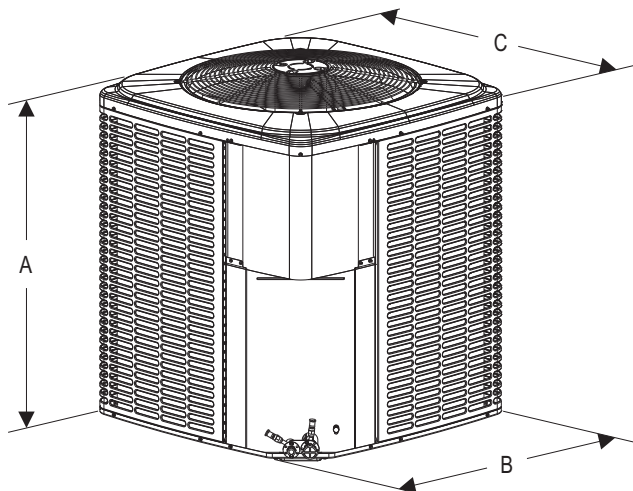
MODELS: CHJD24\* THRU 48

13 SEER – R-410A, 1 PHASE

### Physical and Electrical Data

MODEL		CHJD24S41Q4	CHJD30S41Q4	CHJD36S41Q4	CHJD42S41Q4	CHJD48S41Q4					
Unit Supply Voltage		208-230V, 1 $\phi$ , 60Hz									
Normal Voltage Range <sup>1</sup>		187 to 252									
Minimum Circuit Ampacity		17.6	17.3	23.7	26.1	28.8					
Max. Overcurrent Device Amps <sup>2</sup>		30	30	30	45	50					
Min. Overcurrent Device Amps <sup>3</sup>		20	20	25	30	30					
Compressor Type		Scroll	Scroll	Scroll	Scroll	Scroll					
Compressor Amps	Rated Load	13.4	12.8	17.9	19.8	28.8					
	Locked Rotor	58.3	64.0	96.7	115.0	115.0					
Crankcase Heater		No	No	No	No	No					
Fan Motor Amps	Rated Load	0.80	1.3	1.3	1.3	1.3					
Fan Diameter Inches		22	24	24	24	24					
24	AWG	10	8	10	8	10	8				
	208V Max Length	72	115	66	104	43	69	37	58	37	58
	230V Max Length	80	127	73	116	48	76	40	64	40	64
Fan Motor	Rated HP	1/8		1/4		1/4		1/4		1/4	
	Nominal RPM	1075		850		850		850		850	
	Nominal CFM	2000		3900		3900		3900		3800	
Coil	Face Area Sq. Ft.	18.3		21.0		23.6		23.6		23.6	
	Rows Deep	1		1		1		1		2	
	Fin / Inches	22		22		22		22		18	
Liquid Line Set OD (Field Installed)		3/8		3/8		3/8		3/8		3/8	
Vapor Line Set OD (Field Installed)		3/4		3/4		3/4		7/8		7/8	
Unit Charge (Lbs. - Oz.) <sup>4</sup>		7 - 14		10 - 0		10 - 12		11 - 2		13 - 11	
Charge Per Foot, Oz.		0.62		0.62		0.62		0.67		0.67	
Operating Weight Lbs.		145		176		193		198		248	

1. Rated in accordance with ARI Standard 110, utilization range "A".
2. Dual element fuses or HACR circuit breaker. Maximum allowable overcurrent protection.
3. Dual element fuses or HACR circuit breaker. Minimum recommended overcurrent protection.
4. The Unit Charge is correct for the outdoor unit.



All dimensions are in inches. They are subject to change without notice. Certified dimensions will be provided upon request.

Unit Model	Dimensions (Inches)			Refrigerant Connection Service Valve Size	
	A <sup>1</sup>	B	C	Liquid	Vapor
24	32	34	34	3/8"	3/4"
30	36	34	34		
36	40	34	34		
42	40	34	34		7/8"
48	40	34	34		

1. Including Fan Guard.

## System Charge for Various Matched Systems

Outdoor Unit	CHJD24S41Q4	CHJD30S41Q4	CHJD36S41Q4	CHJD42S41Q4	CHJD48S41Q4
Rated CFM	800	1000	1200	1400	1600
PreCharged Indoor Coils	Pre-Charged Refrigerant Line Set See Table Below				
Indoor Coil <sup>1</sup>	Additional Charge, Oz <sup>2</sup>				
PC35C3XN1	4473F, 4463Q	4473F, 4463Q	-	-	
PC43C3XN1	-	-	4473F, 4463Q	-	
PC60C3XN1	-	-	-	4473F, 4473Q	4473F, 4473Q

### Footnotes:

1. Add 8 oz. of charge when using these coils.
2. Match series number with table below for complete line set Part Number. (I.e. 4463Q indicates 4463Q-1531 for a 15 ft installation requirement).

Pre-charged Refrigerant Line Set	Line Set Length (ft)	Factory charge lbs-oz	Liquid Line Size	Suction Line Size
4473F1531	15	0 - 9	3 / 8	7 / 8
4473F2031	20	0 - 12		
4473F2531	25	0 - 15		
4473F3031	30	1 - 2		
4473F4031	40	1 - 8		
4473F5031	50	1 - 14		

Pre-charged Refrigerant Line Set	Line Set Length (ft)	Factory charge lbs-oz	Liquid Line Size	Suction Line Size
4463Q1531	15	0 - 10	3 / 8	3 / 4
4463Q2031	20	0 - 13		
4463Q2531	25	1 - 0		
4463Q3031	30	1 - 3		
4463Q4031	40	1 - 10		
4463Q5031	50	2 - 0		
4473Q1531	15	0 - 10	3 / 8	7 / 8
4473Q2031	20	0 - 13		
4473Q2531	25	1 - 0		
4473Q3031	30	1 - 3		
4473Q4031	40	1 - 10		
4473Q5031	50	2 - 0		

### Procedures:

1. Unit factory charge listed on the unit nameplate includes refrigerant for the condenser only.
2. Verify the pre-charged line set size and the additional charge required for the specific evaporator coil in the system using the above table.
3. Permanently mark the unit nameplate with the total system charge. Total System Charge = Base charge (as shipped) + 8 oz for Indoor coil + charge for line set.

