



DAR COMMERCIAL

ELECTRIC AIR HANDLERS FOR 7½- & 10-TON SPLIT SYSTEMS

SUBMITTAL DATA FORM

Job Name _____

Location _____

Purchaser _____

Order No. _____

Engineer _____

Unit No. _____

Model No. _____

Unit Designation _____

Performance Data Certified By: _____

■ Cabinet Features

- Heavy-gauge, reinforced, galvanized-steel cabinet
- Fully insulated with fiberglass blanket
- Horizontal and vertical condensate pans
- Built-in filter rack (2" filter included)
- Entry on top of panel for both low and high voltage
- Removable access panels make servicing of unit faster and easier

■ Standard Features

- Upflow or horizontal (left side) installation positions in 7½- and 10-ton cooling-only or heat pump applications
- 10-ton model circuited for use with two 4- or 5-ton cooling-only or heat pump systems, or one 10-ton cooling-only or heat pump system
- All models convertible to 460-3-60 from 208/230-3-60
- Transformer and blower relay
- TXV control; 7½-ton unit has one (1) thermal expansion check valve; 10-ton unit has two (2) thermal expansion check valves
- Draw-thru centrifugal blower is belt-driven for quiet, efficient operation
- Copper tube / aluminum fin coils



* Complete warranty details available from your local dealer or at www.daikincomfort.com.

PERFORMANCE DATA FOR SPLIT SYSTEM

OUTDOOR UNIT: _____

Cooling Performance

Total Capacity _____ MBH
 Sensible Capacity _____ MBH
 Outdoor Design TMP _____ °F DB / WB
 Air Temp entering _____
 Evaporator Coil _____ °F
 Power Input Required _____ kW
 (less blower motor)

Heating Performance

Total Heating Capacity _____ kW
 _____ BTU/h

INDOOR UNIT: _____

Supply Air Blower Performance

Total Supply Air _____ CFM
 Ext. Static Pressure _____ IWG
 Blower Speed _____ RPM
 Power Output Required _____ BHP
 Motor Ratings _____ HP
 Power Input Required _____ kW

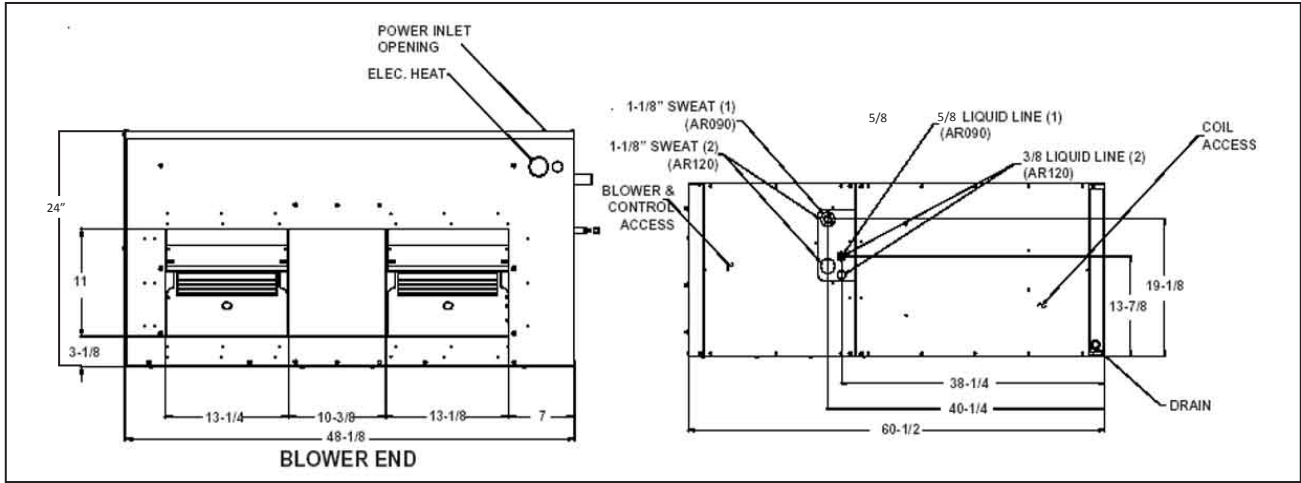
Electrical Data

Power Supply _____
 Total Unit Amps _____ Amps

Max Overcurrent Device:
 Fuse _____ Breaker _____ Amps _____

NOTES

DIMENSIONS



Note: AR090A (1) 5/8" Liquid Line AR120A (2) 3/8" Liquid Line

ACCESSORIES

ELECTRIC HEATER KITS

AIR HANDLER	AHKD MODEL	NOMINAL KW	ELECTRICAL DATA	STAGES	WEIGHT (LBS.)	MCA ¹	MOP ²	V
AR090A	AHKD15-3	15	208-230/3/60	1	56	50	50	
	AHKD15-4	15	460/3/60	1	55	25	25	
	AHKD20-3	20	208-230/3/60	2	59	64	70	
	AHKD20-4	20	460/3/60	2	57	32	35	
	AHKD30-3	30	208-230/3/60	2	60	93	100	
	AHKD30-4	30	460/3/60	2	58	47	50	
AR120A	AHKD15-3	15	208-230/3/60	1	56	53	60	
	AHKD15-4	15	460/3/60	1	55	27	30	
	AHKD20-3	20	208-230/3/60	2	59	68	70	
	AHKD20-4	20	460/3/60	2	57	34	35	
	AHKD30-3	30	208-230/3/60	2	60	96	100	
	AHKD30-4	30	460/3/60	2	58	48	50	

¹ Minimum Circuit Ampacity

² Maximum Overcurrent Protection

NOTES

- AR Series Air handlers do not have factory-installed electric heat. Purchased as an accessory, these are the ONLY heater kits that can be used with the AR Series.
- The electrical characteristics of the air handler, electric heater kits, and building power supply must be compatible.

FILTERS

MODEL	FILTER SIZE
AR090A	16" x 20" x 2"
AR120A	16" x 20" x 2" 20" x 20" x 2"