



The new degree of comfort.™

Cased/Uncased Coils For Gas And Oil Furnaces



RCF- Series

featuring Industry Standard R-410A
Refrigerant
Airflow Capacity
600-1,900 CFM [283-897 L/s]

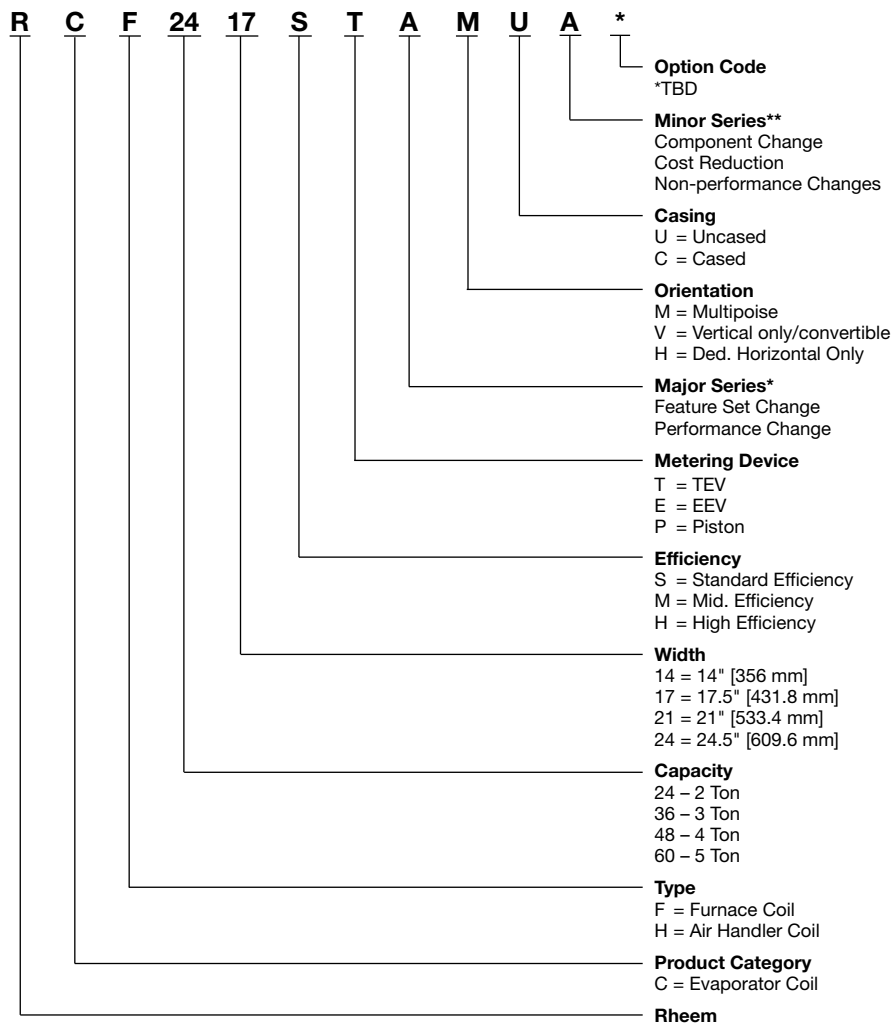


- Rheem® Indoor Furnace cased coils and replacement uncased coils are designed for use with Rheem outdoor units and are available for vertical upflow or downflow, and horizontal left or horizontal right airflow. When matched with Rheem outdoor units, the coils provide a nominal capacity range from 18,000 BTU/HR [5.24 kW] to 60,000 BTU/HR [17.6 kW].
- Constructed of aluminum fins bonded to internally grooved aluminum tubing.
- Coils are tested at the factory with an extensive refrigerant leak check.
- Coils have copper sweat refrigerant connections.
- Feature two sets of 3/4" [14.1 mm] N.P.T. Condensate drain connections for ease of connection.
- Chatleff metering device connections, at inlet and outlet of TXV and equalizer connections.
- Approved for system application with variety of Rheem outdoor units.
- Condensate drain pan is constructed of high grade, heat resistant, corrosion free thermal-set material.
- Compatible with Germicidal Light System (UV resistant)
- Bi-Directional airflow eliminates the need to switch any internal components from horizontal left to right.
- Unique drain pan design maximizes application flexibility and condensate removal.
- N-Coil design maximizes performance and minimizes height required at installation.
- Coils are AHRI certified for system application with a variety of Rheem outdoor units.

TABLE OF CONTENTS

Model Number Identification	3
Coil Specifications	4-5
Coil Dimensions and Weights.....	6-7
Accessories	8-9
Limited Warranty	10

Model Number Identification



MODELS AVAILABLE	
RCF2414STAMCA	RCF4821STSVUA
RCF2417STAMCA	RCF4824STSVUA
RCF2417MTAMCA	RCF6024STAVUA
RCF2421MTAMCA	RCF2417HTAMCA
RCF3617STAMCA	RCF2421HTAMCA
RCF3621STAMCA	RCF3624HTAMCA
RCF3621MTAMCA	RCF4824HTAMCA
RCF3624MTAMCA	RCF6024HTAMCA
RCF4821STAMCA	RCF2417HTAVUA
RCF4824STAMCA	RCF2421HTAVUA
RCF6024STAMCA	RCF3624HTAVUA
RCF2414STAVUA	RCF4824HTAVUA
RCF2417STAVUA	RCF6024HTAVUA
RCF2417MTAVUA	RCF2417SPAVUA
RCF2421MTAVUA	RCF3617SPAVUA
RCF3617STAVUA	RCF3621SPAVUA
RCF3621STAVUA	RCF4821SPAVUA
RCF3621MTAVUA	RCF4824SPAVUA
RCF3624MTAVUA	

[] Designates Metric Conversions

Table 1: Coil Specifications/Airflow Pressure Drop

Coil Model (-)CF	Approx. Design Cooling Air Flow Range CFM [L/s]	Face Area Sq. Ft. [m ²]	Fins-in./ Rows Deep	Wet Coil Static Pressure Drop (Inches W.C.) [kPa] @ CFM [L/s] – (Coil-Only)													
				600 [283]	700 [330]	800 [378]	900 [425]	1000 [472]	1100 [519]	1200 [566]	1300 [614]	1400 [661]	1500 [708]	1600 [755]	1700 [802]	1800 [850]	1900 [897]
2414S	600/900 [283/425]	4.56 [.42]	16 / 2	0.17	0.22	0.28	0.34	—	—	—	—	—	—	—	—	—	—
2417S	600/900 [283/425]	4.56 [.42]	16 / 2	0.13	0.16	0.21	0.25	—	—	—	—	—	—	—	—	—	—
2417M	600/900 [283/425]	4.56 [.42]	16 / 2	0.11	0.15	0.18	0.22	—	—	—	—	—	—	—	—	—	—
2421M	600/900 [283/425]	5.70 [.52]	16 / 2	0.11	0.15	0.18	0.22	—	—	—	—	—	—	—	—	—	—
2421H	600/900 [283/425]	5.70 [.52]	16 / 2	0.11	0.15	0.18	0.22	—	—	—	—	—	—	—	—	—	—
3617S	700/1300 [330/614]	5.70 [.52]	16 / 2	0.11	0.15	0.18	0.22	0.27	0.31	0.37	0.42	—	—	—	—	—	—
3621S	700/1300 [330/614]	5.70 [.52]	16 / 2	0.11	0.15	0.18	0.22	0.27	0.31	0.37	0.42	—	—	—	—	—	—
3621M	700/1400 [330/661]	8.55 [.79]	16 / 2	0.06	0.09	0.11	0.14	0.17	0.20	0.24	0.27	0.31	—	—	—	—	—
3624H	700/1400 [330/661]	9.98 [.93]	14 / 3	0.03	0.05	0.07	0.09	0.11	0.14	0.17	0.20	0.23	—	—	—	—	—
4821S	1100/1800 [519/850]	8.55 [.79]	16 / 2	0.06	0.09	0.11	0.14	0.17	0.20	0.24	0.27	0.31	0.35	0.39	0.43	0.48	—
4824S	1100/1800 [519/850]	8.55 [.79]	16 / 2	0.06	0.09	0.11	0.14	0.17	0.20	0.24	0.27	0.31	0.35	0.39	0.43	0.48	—
4824H	1100/1800 [519/850]	9.98 [.93]	14 / 3	0.03	0.05	0.07	0.09	0.11	0.14	0.17	0.20	0.23	0.26	0.30	0.33	0.37	—
6024S	1400/1900 [661/897]	9.98 [.93]	14 / 3	0.03	0.05	0.07	0.09	0.11	0.14	0.17	0.20	0.23	0.26	0.30	0.33	0.37	0.41
6024H	1400/1900 [661/897]	9.98 [.93]	14 / 3	0.03	0.05	0.07	0.09	0.11	0.14	0.17	0.20	0.23	0.26	0.30	0.33	0.37	0.41

Important Note: Gas furnace heating CFM can exceed the design cooling CFM. Ductwork and coil selection must accommodate the higher of the cooling or gas heating CFM to prevent furnace limit tripping, excessive noise, and coil freeze-up.

[] Designates Metric Conversions

Table 1: Coil Specifications/Airflow Pressure Drop (con't.)

Coil Model (-)CF	Approx. Design Cooling Air Flow Range CFM [L/s]	Face Area Sq. Ft. [m ²]	Fins-in./ Rows Deep	Dry Coil Static Pressure Drop (Inches W.C.) [kPa] @ CFM [L/s] – (Coil-Only)													
				600 [283]	700 [330]	800 [378]	900 [425]	1000 [472]	1100 [519]	1200 [566]	1300 [614]	1400 [661]	1500 [708]	1600 [755]	1700 [802]	1800 [850]	1900 [897]
2414S	600/900 [283/425]	4.56 [.42]	16 / 2	0.12	0.16	0.21	0.26	0.31	0.37	0.44	—	—	—	—	—	—	—
2417S	600/900 [283/425]	4.56 [.42]	16 / 2	0.10	0.13	0.17	0.21	0.25	0.30	0.35	0.41	0.47	0.53	0.60	—	—	—
2417M	600/900 [283/425]	4.56 [.42]	16 / 2	0.10	0.13	0.16	0.20	0.24	0.28	0.32	0.37	0.43	0.48	0.54	—	—	—
2421M	600/900 [283/425]	5.70 [.52]	16 / 2	0.10	0.13	0.16	0.20	0.24	0.28	0.32	0.37	0.43	0.48	0.54	0.61	0.67	—
2421H	600/900 [283/425]	5.70 [.52]	16 / 2	0.10	0.13	0.16	0.20	0.24	0.28	0.32	0.37	0.43	0.48	0.54	0.61	0.67	—
3617S	700/1300 [330/614]	5.70 [.52]	16 / 2	0.10	0.13	0.16	0.20	0.24	0.28	0.32	0.37	0.43	0.48	0.54	—	—	—
3621S	700/1300 [330/614]	5.70 [.52]	16 / 2	0.10	0.13	0.16	0.20	0.24	0.28	0.32	0.37	0.43	0.48	0.54	0.61	0.67	—
3621M	700/1400 [330/661]	8.55 [.79]	16 / 2	0.04	0.06	0.07	0.10	0.12	0.14	0.17	0.19	0.22	0.25	0.28	0.32	0.35	—
3624H	700/1400 [330/661]	9.98 [.93]	14 / 3	0.02	0.04	0.06	0.07	0.10	0.12	0.14	0.17	0.20	0.23	0.26	0.30	0.34	0.38
4821S	1100/1800 [519/850]	8.55 [.79]	16 / 2	0.04	0.06	0.07	0.10	0.12	0.14	0.17	0.19	0.22	0.25	0.28	0.32	0.35	0.39
4824S	1100/1800 [519/850]	8.55 [.79]	16 / 2	0.04	0.06	0.07	0.10	0.12	0.14	0.17	0.19	0.22	0.25	0.28	0.32	0.35	0.39
4824H	1100/1800 [519/850]	9.98 [.93]	14 / 3	0.02	0.04	0.06	0.07	0.10	0.12	0.14	0.17	0.20	0.23	0.26	0.30	0.34	0.38
6024S	1400/1900 [661/897]	9.98 [.93]	14 / 3	0.02	0.04	0.06	0.07	0.10	0.12	0.14	0.17	0.20	0.23	0.26	0.30	0.34	0.38
6024H	1400/1900 [661/897]	9.98 [.93]	14 / 3	0.02	0.04	0.06	0.07	0.10	0.12	0.14	0.17	0.20	0.23	0.26	0.30	0.34	0.38

Important Note: Gas furnace heating CFM can exceed the design cooling CFM. Ductwork and coil selection must accommodate the higher of the cooling or gas heating CFM to prevent furnace limit tripping, excessive noise, and coil freeze-up.

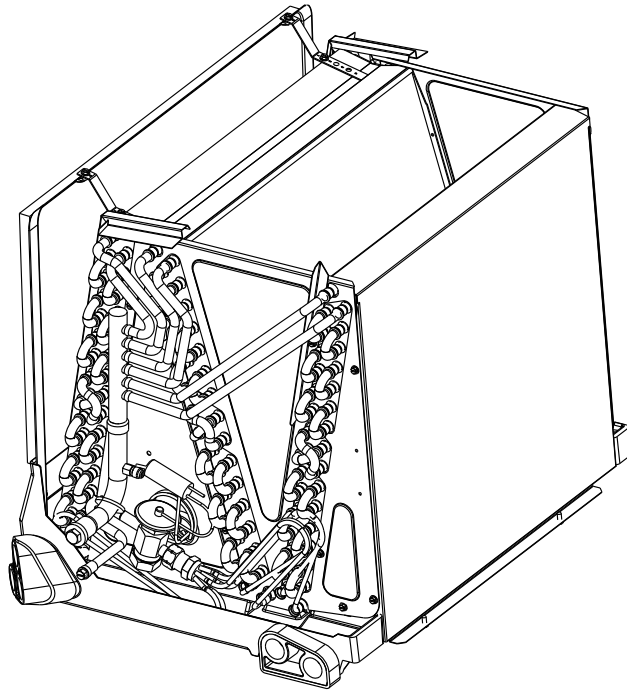
[] Designates Metric Conversions

Table 2: Coil Dimensions and Weights

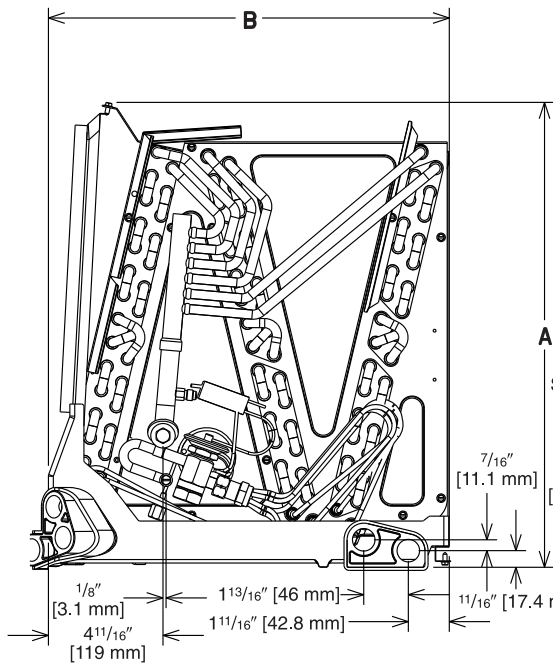
Coil Model RCF	Connections		Uncased Coil Dimensions (in) [mm]		Weight	
	Sweat (in.) [mm]		A	B	Coil Weight (lbs.) [Kg.]	Shipping Weight (lbs.) [Kg.]
	Liquid	Suction				
	I.D.	I.D.				
2414ST	3/8 [9.53]	3/4 [19.05]	21 3/4 [552]	12 7/8 [327]	43 [19]	47 [21]
2417SP/2417ST	3/8 [9.53]	3/4 [19.05]	15 3/8 [390]	16 3/8 [416]	43 [19]	48 [22]
2417MT/2417HT/3617ST/3617SP	3/8 [9.53]	3/4 [19.05]	18 3/4 [476]	16 3/8 [416]	49 [22]	54 [24]
2421MT/2421HT/3621ST/3621SP	3/8 [9.53]	3/4 [19.05]	18 3/4 [476]	19 7/8 [505]	51 [23]	60 [27]
3621MT/4821ST/4821SP	3/8 [9.53]	3/4 [19.05]	26 5/8 [676]	19 7/8 [505]	71 [32]	78 [35]
3624MT/4824ST/4824ST	3/8 [9.53]	3/4 [19.05]	26 11/16 [678]	23 3/8 [594]	83 [37]	93 [42]
3624HT/4824HT/6024ST/6024HT	3/8 [9.53]	3/4 [19.05]	30 15/16 [786]	23 3/8 [594]	100 [45]	108 [48]

*The 14 inch, 2 ton RCF coil (2414) is part of the "N-Coil" design series, even though the coil shape resembles an "A" coil design.

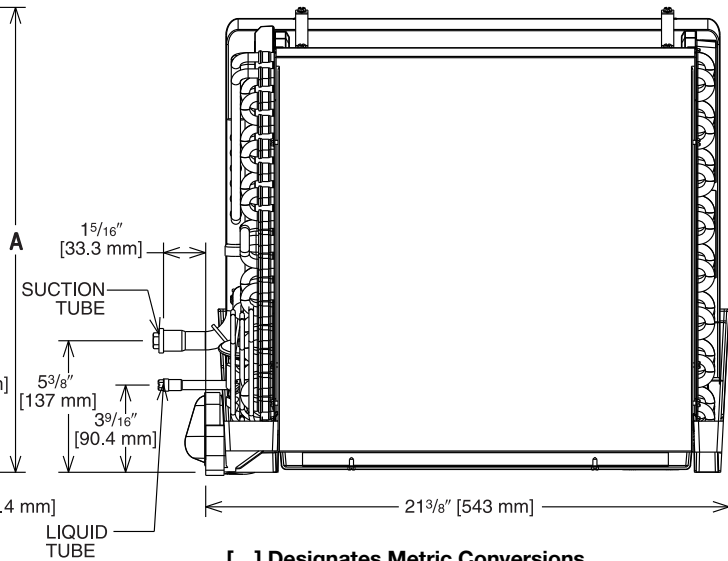
FIGURE 1: DIMENSIONS UNCASSED



FRONT VIEW



SIDE VIEW



[] Designates Metric Conversions



Table 2: Coil Dimensions and Weights

Coil Model RCF	Connections		Cased Coil Dimensions (in) [mm]			Weight	
	Sweat (in.) [mm]		A	B	C	Coil Weight (lbs.) [Kg.]	Shipping Weight (lbs.) [Kg.]
	Liquid	Suction					
	I.D.	I.D.					
2414ST	3/8 [9.53]	3/4 [19.05]	14 [356]	21 [533]	23 ⁹ / ₁₆ [584]	43 [19]	47 [21]
2417SP/2417ST	3/8 [9.53]	3/4 [19.05]	17 ¹ / ₂ [445]	14 ¹ / ₂ [368]	20 [508]	43 [19]	48 [22]
2417MT/2417HT/3617ST/3617SP	3/8 [9.53]	3/4 [19.05]	17 ¹ / ₂ [445]	17 ⁷ / ₈ [454]	20 [508]	49 [22]	54 [24]
2421MT/2421HT/3621ST/3621SP	3/8 [9.53]	3/4 [19.05]	21 [533]	17 ¹ / ₂ [445]	20 [508]	51 [23]	60 [27]
3621MT/4821ST/4821SP	3/8 [9.53]	3/4 [19.05]	21 [533]	25 ⁷ / ₈ [657]	28 [711]	71 [32]	78 [35]
3624MT/4824ST/4824ST	3/8 [9.53]	3/4 [19.05]	24 ¹ / ₂ [622]	25 ³ / ₈ [645]	32 [812]	83 [37]	93 [42]
3624HT/4824HT/6024ST/6024HT	3/8 [9.53]	3/4 [19.05]	24 ¹ / ₂ [622]	30 ¹ / ₄ [768]	32 [812]	100 [45]	108 [48]

*The 14 inch, 2 ton RCF coil (2414) is part of the "N-Coil" design series, even though the coil shape resembles an "A" coil design.

FIGURE 1: DIMENSIONS CASSED

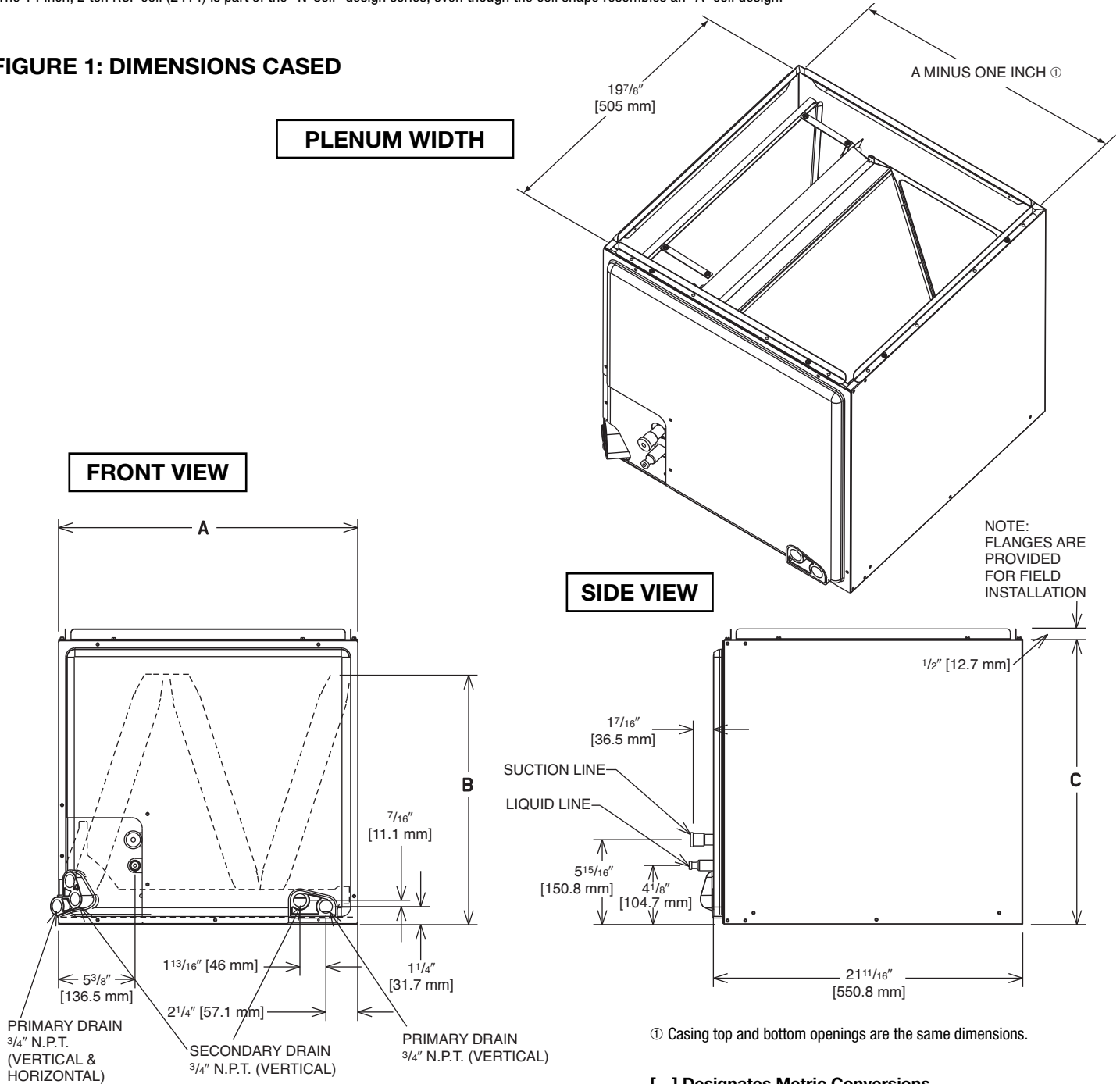


Table 3: Coil Application

Coils can be matched to heating products as listed in table below.

Coil Model RCF	Furnace Width (In.) (mm)	
	Oil	Gas
2414ST 2417ST 2417HT/2417MT 3617ST	—	14 [356]
2417ST 2417MT/2417HT/2417SP 3617ST/3617SP	17½ [431]	17½ [444] 14 [356]
2421MT/2421HT 3621ST/3621SP 3621MT/4821ST/4821SP	21 [533]	21 [533] 17½ [444]
3624MT/3624HT 4824ST/4824HT/4824SP 6024ST/6024HT	24½ [622]	24½ [622] 21 [533]

Accessories

• **PLENUM ADAPTER ACCESSORY
RXBA-AE**

This plenum adapter accessory is for use with the 24½" wide cased indoor cooling and heat pump coils. This allows a 24½" wide cased coil to be installed on a 28" wide oil furnace. This is a field-installed accessory only.

• **RXBA-AC (Upflow/Horizontal)**

These plenum adapter accessories are for use when a cooling coil is matched with a gas furnace of one smaller size.

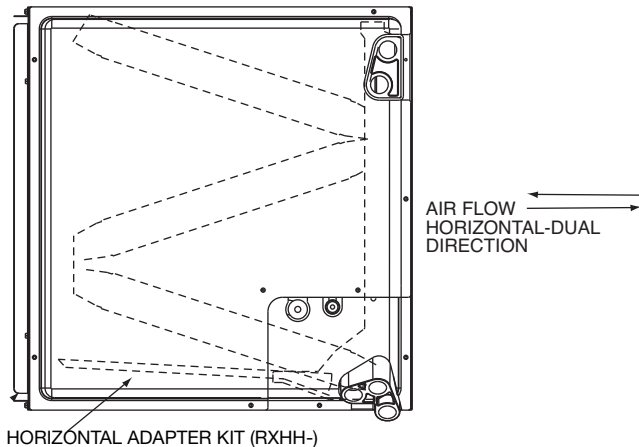
• **HORIZONTAL ADAPTER KIT RXHH (See Figure 2)**

This horizontal adapter kit is used to convert a upflow or downflow coil for a horizontal application. See Table 4 to order the proper horizontal adapter kit.

Table 4: Horizontal Adapter Kit Model No.

Coil Model	Horizontal Adapter Kit Model No.
2414ST	RXHH-A01
2417ST	RXHH-A02
2417MT/2421MT/3617ST/ 3621ST/2421HT	RXHH-A03
3621MT/3624MT/ 4821ST/4824ST	RXHH-A04
3624HT/4824HT/ 6024ST/6024HT	RXHH-A05

FIGURE 2: HORIZONTAL ADAPTER KIT ILLUSTRATION



• **INDOOR COIL CASING- RXBC (See Table 5)**

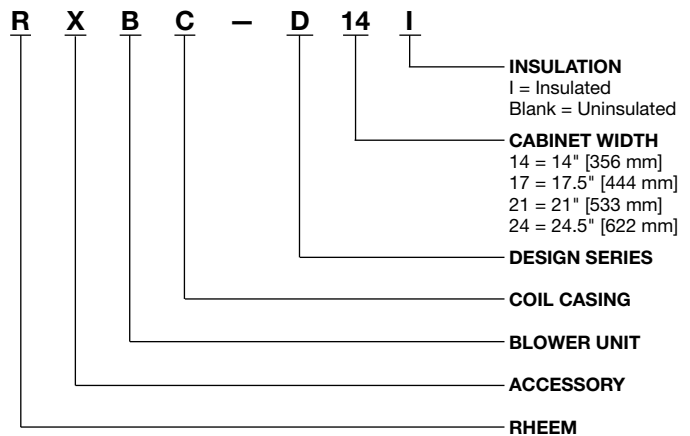


Table 5: Unit Dimensions and Weights- RXBC Indoor Coil Casings

Model Number	Width (in.) [mm]	Height (in.) [mm]	Depth (in.) [mm]	Unit Weight		Supply Air/Return Air Openings	
				Weight (lbs.) [Kg.]	Ship. Wt. (lbs.) [Kg.]	Width (in.) [mm]	Depth (in.) [mm]
RXBC-D14AI	14 [356]	23 ³ / ₁₆ [589]	21 ⁵ / ₈ [549]	19 [9]	23 [10]	13 [330]	19 ³ / ₃₂ [508]
RXBC-D17AI	17½ [445]	20 [508]		18 [8]	23 [10]	16½ [419]	
RXBC-D21AI	21 [533]	20 [508]		20 [9]	26 [12]	20 [508]	
RXBC-D21BI	21 [533]	28 [711]		27 [12]	36 [17]	20 [508]	
RXBC-D24AI	24½ [622]	32½ [826]		34 [16]	44 [20]	23½ [597]	

Table 6: Uncased Coil Adapter Kit

Uncased Coil Adapter Model Number RXBA	A Width (in.) [mm]	Uncased Coil Model RCFP
B14x20	13 ¹ / ₈ [333]	-HUxx14
B17x20	16 ⁵ / ₈ [422]	-HUxx17
B21x20	20 ¹ / ₈ [511]	-HUxx21
B24x20	23 ⁵ / ₈ [599]	-HUxx24

[] Designates Metric Conversions

Accessories (cont.)

• UNCASSED COIL ADAPTER KIT RXBA- (See Figure 3 & 4)

This uncased coil adapter kit is used to adapt the coil to a furnace or ductwork. See Table 6 to order the proper adapter kit. Each kit contains a quantity of 20 adapters.

FIGURE 3: UNCASSED COIL ADAPTER KIT ILLUSTRATION

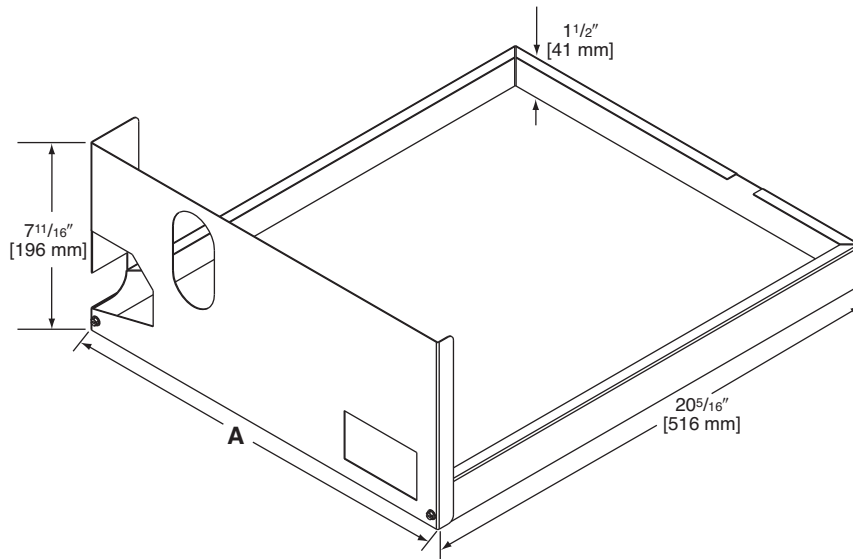
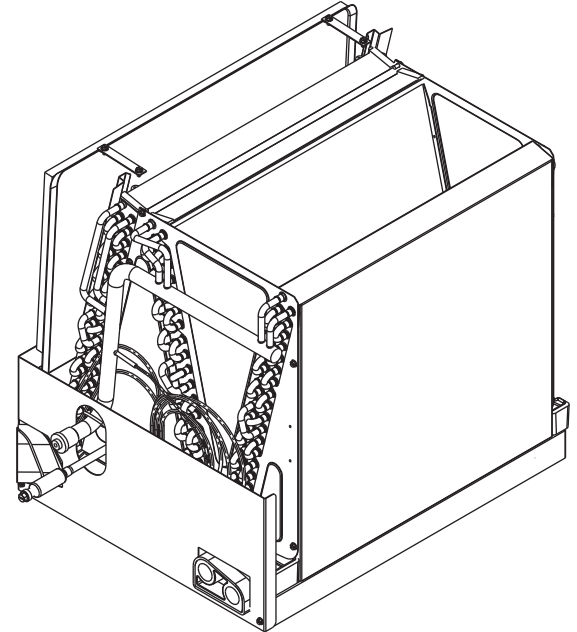


FIGURE 4: UNCASSED COIL ADAPTER KIT ASSEMBLED



Note: Sliding the coil into the coil rail before attaching coil rack front.

[] Designates Metric Conversions

R-22 TXV Conversion Kits

To be used to convert R410-A coil to operate with R-22

FURNACE COIL CROSS REFERENCE CHART		
ORIGINAL COIL	RECOMMENDED ALUMINUM TUBE REPLACEMENT COIL	R-22 TXV CONVERSION KIT MODEL NO.
RCFA-**2414	RCF2414STAT	RXCT-HBA
RCFA-**2417	RCF2417STA	RXCT-HBA
RCFA-**3617	RCF3617STA, RCF2417MTA, or RCF2417HTA	RXCT-HBB
RCFA-**3621	RCF3621STA, RCF2417MTA, or RCF2421HTA	RXCT-HBB
RCFA-**4821	RCF4821STA or RCF3621MTA	RXCT-HBC
RCFA-**4824	RCF4824STA or RCF3624MTA	RXCT-HBC
RCFA-**6024	RCF6024STA, RCF6024HTA, RCF4824HTA, or RCF3624HTA	RXCT-HBD

**= AU, HM, or HU

GENERAL TERMS OF LIMITED WARRANTY*

Rheem will furnish a replacement for any part of this product which fails in normal use and service within the applicable periods stated, in accordance with the terms of the limited warranty.

Parts.....Five (5) Years

*For complete details of the Limited and Conditional Warranties, including applicable terms and conditions, contact your local contractor or the Manufacturer for a copy of the product warranty certificate.



The new degree of comfort.™

In keeping with its policy of continuous progress and product improvement, Rheem reserves the right to make changes without notice.

Rheem Heating, Cooling & Water Heating • P.O. Box 17010
Fort Smith, Arkansas 72917 • www.rheem.com

Rheem Canada Ltd./Ltée • 125 Edgeware Road, Unit 1
Brampton, Ontario • L6Y 0P5



INTEGRATED HOME COMFORT

PRINTED IN U.S.A. 12/14 QG FORM NO. C11-224 REV. 2