



SUBMITTAL COVER SHEET

PROJECT NAME _____

LOCATION _____

ARCHITECT _____

ENGINEER _____

CONTRACTOR _____

SUBMITTED BY _____ DATE _____

UNIT SUMMARY

Quantity						
Unit Designation						
Model No.						
Total Cooling						
Sensible Cooling						
Air Ent. Evaporator						
Air Lvg. Evaporator						
Heating Input						
Heating Output						
CFM/ESP						
EER/SEER						
Electrical						
Minimum Ampacity						
Min.-Max. Breaker						
Net Unit Weight						
Accessory						
Catalog Form Number						

ACCESSORIES:

NOTES:

**SUBMITTAL SHEET FOR PACKAGE GAS ELECTRIC
FEATURING INDUSTRY STANDARD R-410A REFRIGERANT
RRNL-B HIGH EFFICIENCY 13 SEER SERIES
RRPL-B HIGH EFFICIENCY 14 SEER SERIES
RRRL-C HIGH EFFICIENCY 16 SEER SERIES
Nominal Sizes 2 thru 5 Tons [7.0 thru 17.0 kW]**



JOB NAME _____ DATE _____

CONTRACTOR _____ UNIT DESIGNATION _____

ENGINEER _____ MODEL NO. _____

SUBMITTED FOR APPROVAL RECORD LOCATION _____

SUBMITTED BY _____ ORDER NO. _____

UNIT DATA

COOLING PERFORMANCE

TOTAL CAPACITY* MBH
SENSIBLE CAPACITY* MBH
OUTDOOR DESIGN TEMP. °F [°C] DB/WB
TOTAL SUPPLY AIR CFM [L/s]
TEMP. OF AIR ENTERING
EVAPORATOR COIL..... °F [°C] DB/WB
POWER INPUT REQUIREMENT KW
SEER RATING.....
(*uses blower motor heat)

HEATING PERFORMANCE

GAS HEAT INPUT CAPACITY..... MBH
GAS HEAT OUTPUT CAPACITY..... MBH
STEADY STATE EFF MBH
AFUE C.O.P.

SUPPLY AIR BLOWER PERFORMANCE

TOTAL SUPPLY AIR CFM [L/s]
TOTAL RESISTANCE EXTERNAL
TO UNIT..... IWG
BLOWER SPEED RPM
POWER OUTPUT REQUIREMENT .. BHP
MOTOR RATING HP [W]
POWER INPUT REQUIREMENT KW

ELECTRICAL DATA

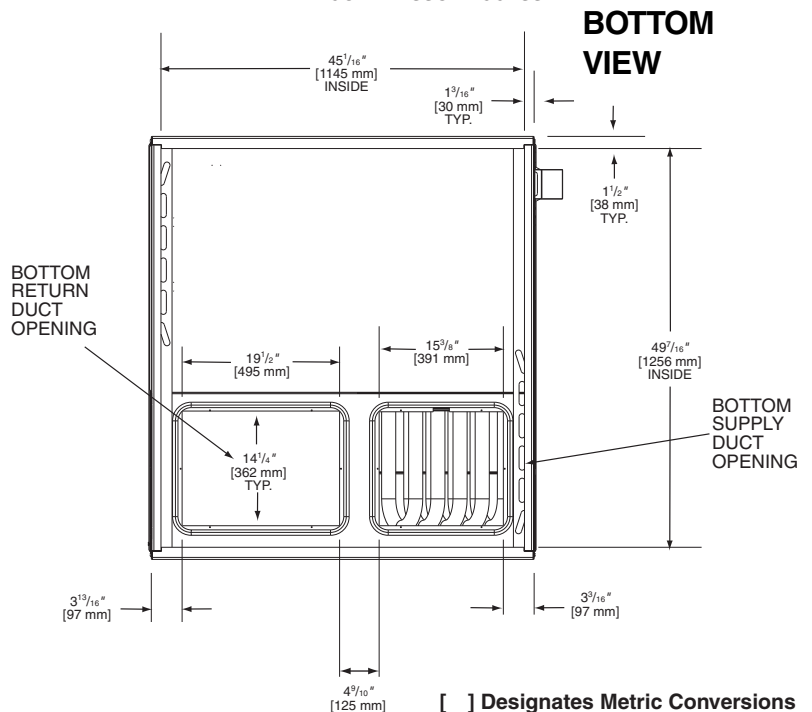
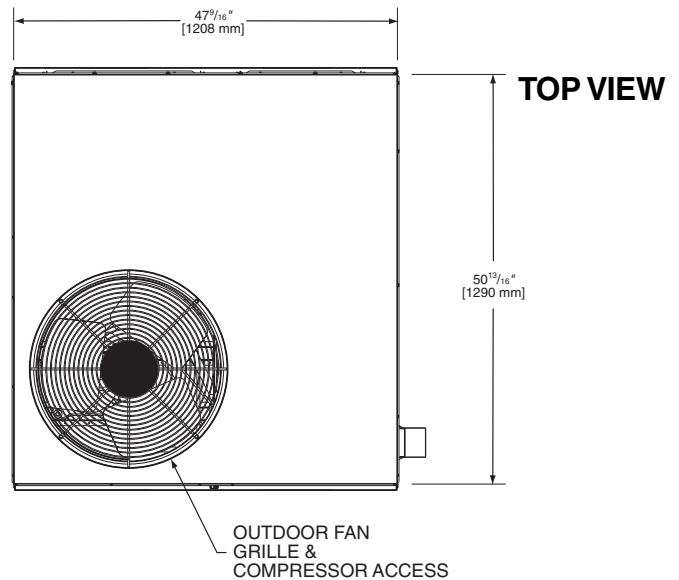
POWER SUPPLY Hz
TOTAL UNIT AMPACITY..... AMPS
MINIMUM WIRE SIZE AWG
MAXIMUM OVERCURRENT DEVICE
FUSES HACR BREAKER AMPS

TOTAL UNIT WEIGHT

TOTAL OPERATING WEIGHT LBS [kg]
(including field-installed accessories)

CLEARANCES

SIDE "A" (WITHOUT ECONOMIZER) 2" [50.8 mm]
SIDE "B" (WITHOUT ECONOMIZER) 12" [304.8 mm]
SIDE "C" (WITHOUT ECONOMIZER) 48" [1,219.2 mm]
SIDE "D" (WITHOUT ECONOMIZER) 24" [610 mm]
ABOVE UNIT (WITHOUT ECONOMIZER) 60" [1,524 mm]



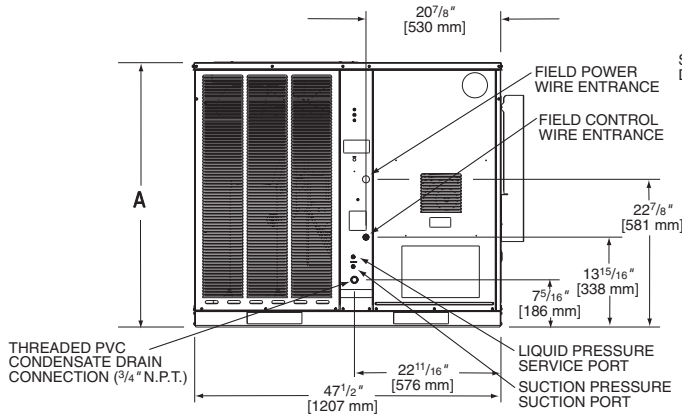
[] Designates Metric Conversions

FIELD INSTALLED ACCESSORIES

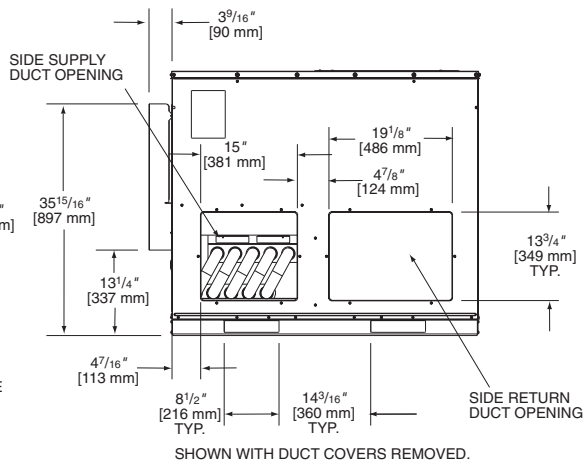
- Roof Curb (8" [203.2 mm], 14" [355.6 mm] & 24" [609.6 mm] High Full Platform).....
- Roof Curb (14" [355.6 mm] & 24" [609.6 mm] Sloped Platform)
- Filter Accessory.....
- Lift Kit (For Rigging)
- Time Delay Relay
- Start Assist
- Low Ambient Control

- Low Pressure Control
- Economizer (Enthalpy Controlled) Downflow Only
- Manual Fresh Air Damper
- L.P. (Propane) Kit
- Transition (Rectangular-Round) Downflow/Sideflow ..
- Concentric Diffuser and Grille
- High Pressure Control
- Thermostat

FRONT VIEW

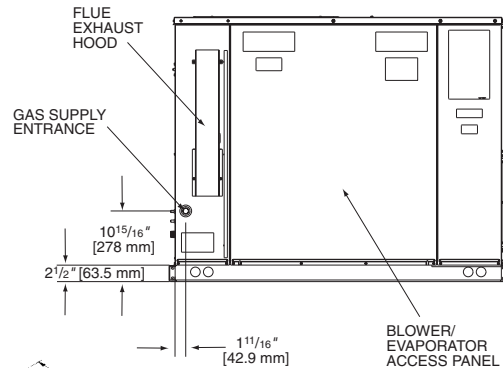


BACK VIEW

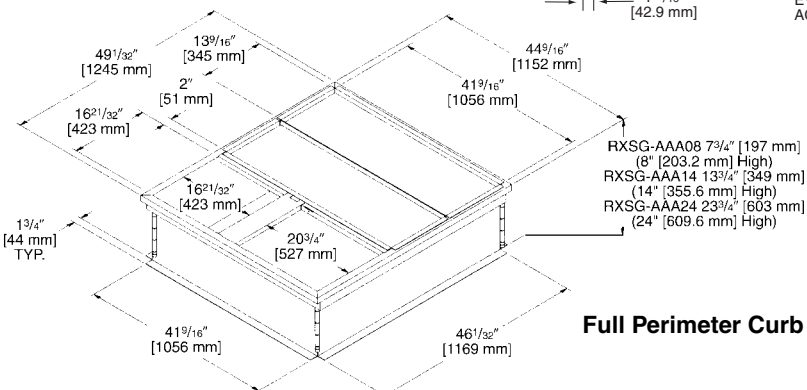
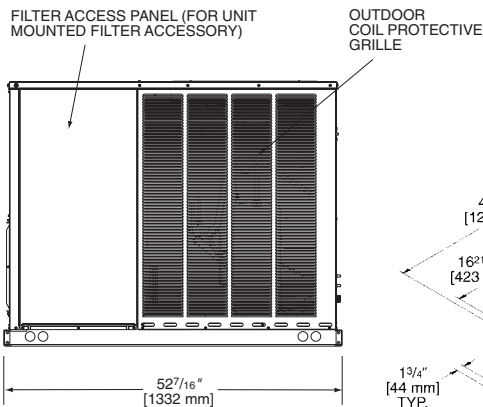


Models: RRNL/RRPL	Model: RRRL	"A" Height
B024, B030, B036	C024	35 15/16"
B042, B048, B060	C030, C040, C060	41"

SIDE VIEW



SIDE VIEW



[] Designates Metric Conversions

Before proceeding with installation, refer to installation instructions packaged with each model, as well as complying with all Federal, State, Provincial, and Local codes, regulations, and practices.

Rheem Sales Company, Inc.
 P.O. Box 17010, Fort Smith, AR 72917

"In keeping with its policy of continuous progress and product improvement, Rheem reserves the right to make changes without notice."