



# Technical Product Guide

## MULTI OUTDOOR UNITS

Models:

MULTI18HP230V1AO

MULTI24HP230V1AO

MULTI30HP230V1AO

MULTI36HP230V1AO

MULTI42HP230V1AO



## **Table of Contents**

Product Overview .....	2-3
Features and Benefits .....	4-5
Product Nomenclature/AHRI Certification .....	6
Product Performance Data .....	7-11
Dimensional Specifications .....	12-14
Clearance Specifications .....	15
Electrical Wiring .....	16-17
Condensate Removal .....	17
Indoor Unit Combinations .....	18-26
Extended Performance Ratings .....	27-31
Limited Warranty Statement .....	32-33

# PRODUCT OVERVIEW

## SUPERIOR DESIGNS PROVIDE EASY SOLUTIONS TO COMPLEX PROBLEMS

GREE Ductless Multi Zone systems provide quiet comfort and energy efficient heating and cooling in up to five different rooms - *without ductwork*. For most residential and light commercial applications, this is the ideal solution to balance comfort, efficiency and ease of installation. This Inverter-driven system offers Seasonal Energy Efficiency Ratings (SEER) up to 16. With individual room control and variable speed compressor operation, comfort is boosted throughout your home or office, while utility bills are held in check.

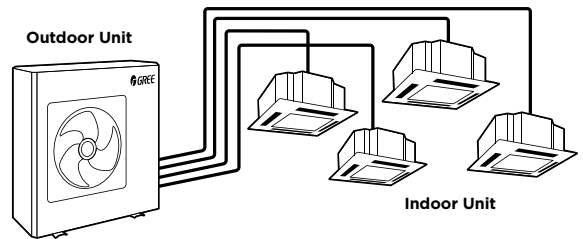


*Gree's exclusive G-10 Inverter technology powers the twin rotary compressor inside the Multi Zone outdoor compressor section. The G-10 Inverter constantly adjusts the compressor speed to maintain a comfortable room temperature. This saves energy, reduces outdoor noise and maintains a steady room temperature by eliminating the harsh starts and stops of conventional systems.*

When laying out a new project, you'll appreciate the flexibility of Gree's Multi Zone Systems. A single outdoor unit can simultaneously power up to five indoor units while eliminating expensive ductwork. Without those ducts, your installation is simpler, faster and more cost-effective. And the flexibility doesn't stop there, as you can also mix and match your choice of Wall Mount, Ceiling Cassette, Concealed Duct, Universal Floor/Ceiling and Mini Floor Console indoor units to create a unique heating and cooling system to perfectly fit any project.

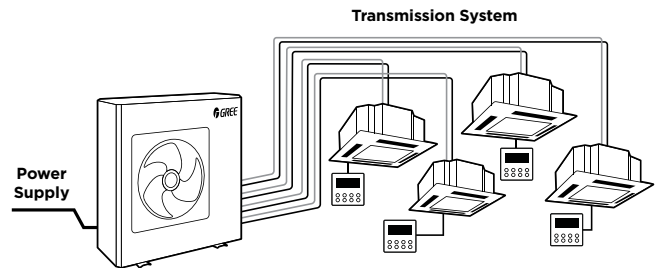
### No pipe sweating

No sweating is needed for the pipe connection between the indoor and outdoor units. All piping connections are flared to simplify and ease the piping installation.



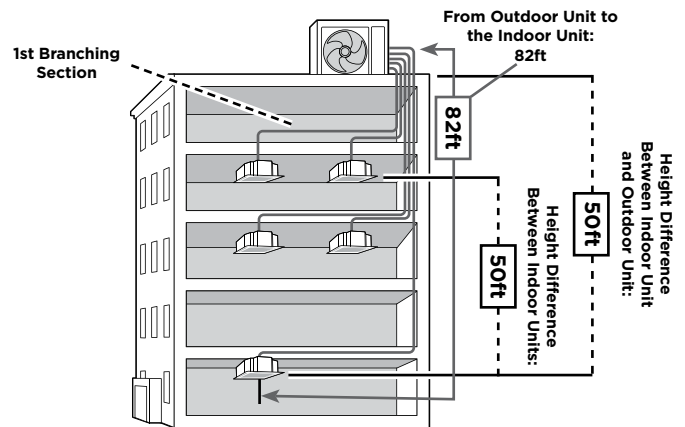
### Simple Wiring

No special or hard-to-find communication wire is needed between the indoor and outdoor units. The system uses common 14-4 AWG stranded copper THHN 600V wire. The system's communication is ready as soon as the electrical wiring between the indoor and outdoor units is complete.



### High Lift Design

Gree's High Lift design allows for extended piping length, up to 262 feet total, as well as 50 feet of vertical lift from the condensing units. This allows for greater flexibility in the layout of the system.



**Allows up to 262 feet of pipe length**

### Energy Saving

Multi Zone systems allow each room to be individually controlled. Only those rooms requiring air conditioning (or heating) are cooled (or heated), and all of it is accomplished without ductwork. In addition, Gree's G-10 inverter technology reduces energy waste, maximizes efficiency and achieves up to 16 SEER.

# PRODUCT OVERVIEW

## Self-Diagnostics System

Each indoor and outdoor unit continuously runs a series of multi-point diagnostic tests on the system, to automatically scan for unacceptable operating conditions or malfunctions. If such conditions occur, the system takes corrective action or stops. The fault code will be shown on the indoor, outdoor and wired controller displays. Problems and system status are displayed with comprehensive diagnostic codes to simplify system troubleshooting and shorten repair times.

## Flexible Design

Gree's Multi Zone systems have many advantages for both the property owner and the installer. Up to five indoor units, powered by a single outdoor unit, results in flexible zoning solutions for almost any application. Various styles of indoor units may be mixed and matched in any combination to create a unique, multiple zone heating and cooling system. Choose from Wall Mount, Ceiling Cassette, Slim Duct, Universal Floor/Ceiling and Mini Floor Console indoor units. All are lightweight and compact enough to be installed on the wall or in any ceiling space.

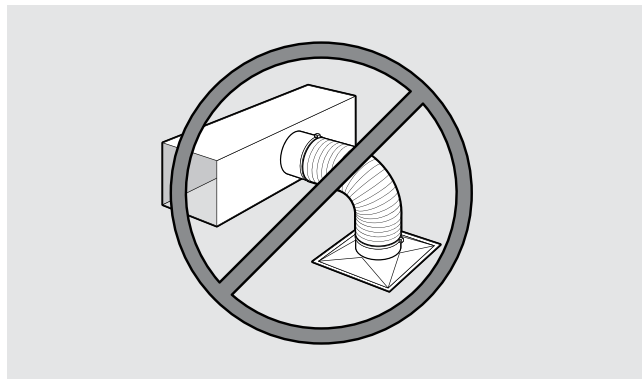
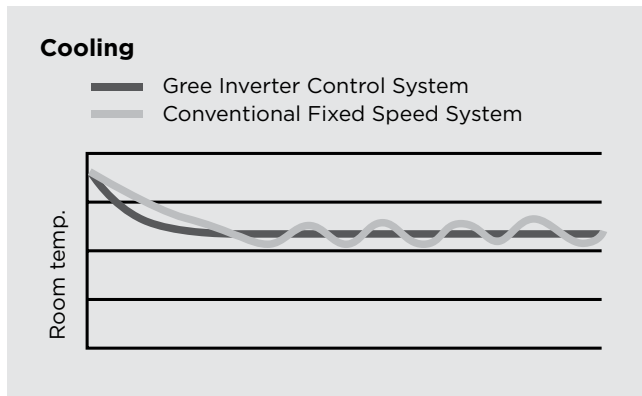
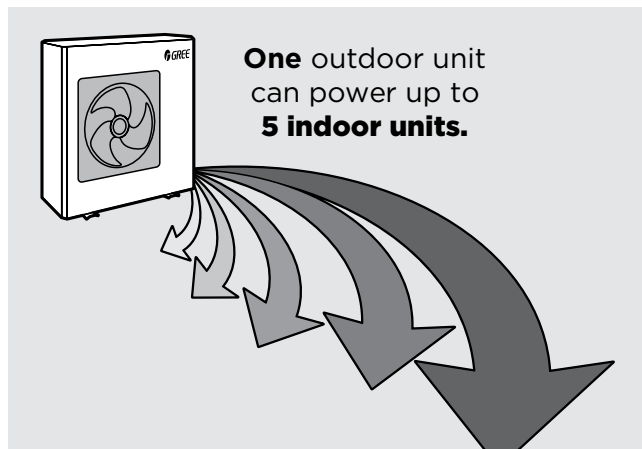
## Intelligent Control

Gree's Multi Zone components use state-of-the-art intelligent controls to generate the ultimate in room comfort. G-10 Inverter technology delivers the exact level of required capacity (from 10% to 100%) to maintain room temperature and humidity in the comfort range. The optimized PID controls maintain the room temperature within less than  $\pm 1.0^{\circ}\text{F}$  of the room setpoint temperature. The result is a virtually constant room temperature without the typical fluctuations that occur with a conventional fixed speed ON/OFF system.

## Ductless Saves Money

Realize energy savings by eliminating heat loss from inefficient and leaky ductwork. The average ducted air distribution system could reduce overall system efficiency by up to 30 percent. Eliminating ductwork allows you to downsize equipment while upsizing performance.

Diagnostic Code	Malfunction
E1	Compressor High Pressure Protection
E2	Indoor Coil Anti-Freeze Protection
E3	Low Pressure Protection
E4	High Discharge Temperature Protection
E5	Compressor High Temperature Protection
E6	Indoor/Outdoor Communication Failure
E7	Heating & Cooling Modes Conflict
E9	Condensate Water Too High
F4	Outdoor Coil Sensor Failure



# +Multi Outdoor Units



*Each +Multi heat pump is powered by Gree's energy efficient G-10 Inverter and a variable speed compressor. These units can heat and cool up to five zones without distribution boxes, and all offer the G-10 advantages of energy savings, noise reduction and room temperature consistency. Each outdoor coil also features a corrosion-resistant Gold Fin coating to withstand corrosive environments and to further promote energy efficiency.*

## FEATURES AND BENEFITS

---

### **High Efficiency G-10 Inverter**

The G-10 Inverter uses a broad range of variable frequencies to drive the compressor, marking the highest level of inverter control technology available today. Unlike conventional technology that generally regulates room temperature by running at maximum capacity and then shutting off completely, G-10 Inverter technology eliminates these harsh starts/stops. This cutting edge functionality results in quicker arrival at desired temperatures and superior maintenance of consistent comfort levels. Higher efficiency and significant energy savings? Yes, it yields those too.

### **Heat Pump Advantage**

Multi Zone heat pumps, powered by the G-10 Inverter, provide the same heating capacity as electric heat, while using as little as 1/3 the electricity.

### **Intelligent Defrost**

The Intelligent Defrost function increases room comfort and saves energy by eliminating unnecessary defrost cycles. In heating mode, the control system monitors the outdoor coil for frost buildup, and the system switches to defrost mode only when frost buildup is actually detected. This avoids unnecessary and wasteful defrosts.

### **Time Guard**

Among the system's many safeties is a Time Guard function to prevent rapid cycling of the compressor. A protective three-minute time delay restricts compressor restarts after shutoff.

### **Gold Fin Condenser**

The system's corrosion-resistant Gold Fin condenser coating (1500hr salt spray rating) is made with a gold-colored anti-corrosion epoxy. This technology maintains excellent heat transfer properties while extending coil life against damage from salt air and salt water in seacoast installations.

# FEATURES AND BENEFITS

---

## Low Voltage Start Up

Having stable electrical power is not always an option. The Gree Multi Zone units will operate from 170v to 265v which is suitable for unstable power supply areas.

## Self-Diagnosis

With an on-board computer using real-time diagnostics, the Gree Multi Zone system helps to prolong its own life. The automatic diagnosis feature continuously scans for unacceptable operating conditions or malfunctions. If such conditions occur, the system takes corrective action or stops. Fault codes are shown on the unit display to facilitate easy troubleshooting and repair.

## Agency Listings

All systems are listed with AHRI (Air conditioning, Heating, and Refrigeration Institute) and are ETL Certified per standards.

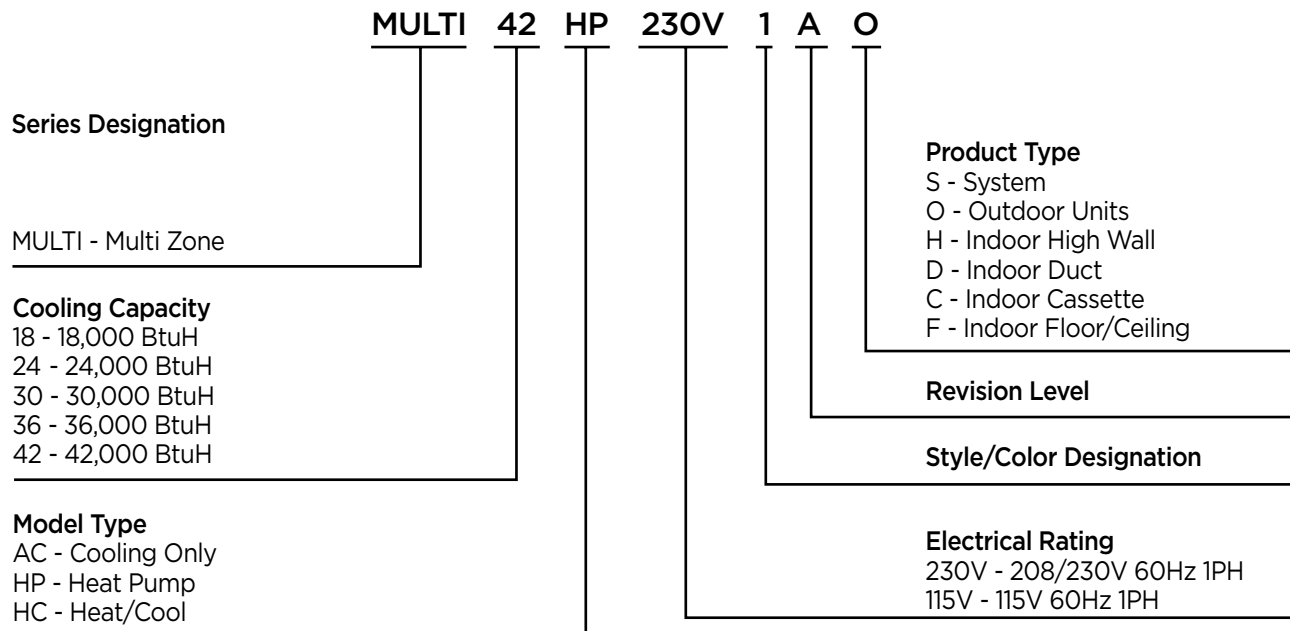
## 7/5 Year Limited Warranty

Enjoy one of the most comprehensive warranties in the industry. Seven (7) years on compressor and Five (5) years on all parts.



# +Multi Outdoor Units

## NOMENCLATURE



## AHRI CERTIFICATION

MODEL NUMBER	BRAND	AHRI CERTIFICATION
MULTI18HP230V1AO	GREE	7084754
MULTI24HP230V1AO	GREE	7084908
MULTI30HP230V1AO	GREE	7084759
MULTI36HP230V1AO	GREE	7084898
MULTI42HP230V1AO	GREE	7084899
MULTI48HP230V1AO	GREE	7117354
MULTI56HP230V1AO	GREE	7117355

# PERFORMANCE SPECIFICATIONS

## Cooling

MODEL NUMBER	SEER	EER	COOLING CAPACITY		OUTDOOR TEMP OPERATING RANGE	
			RATED (BtuH)	RANGE (BtuH)	MIN	MAX
MULTI18HP230V1A	16	10.2	18,000	(7,000-21,000)	23 °F	118 °F
MULTI24HP230V1A	16	8.2	26,000	(7,500-33,000)	23 °F	118 °F
MULTI30HP230V1A	16	7.3	29,000	(7,500-34,000)	23 °F	118 °F
MULTI36HP230V1A	16	8.0	34,000	(8,530-34,120)	23 °F	118 °F
MULTI42HP230V1A	16	9.3	41,000	(8,530-46,403)	23 °F	118 °F

## Heating

MODEL NUMBER	HSPF	HEATING CAPACITY		OUTDOOR TEMP OPERATING RANGE	
		RATED (BtuH)	RANGE (BtuH)	MIN	MAX
MULTI18HP230V1A	8.2	19,000	(8,530-22,600)	5 °F	80 °F
MULTI24HP230V1A	8.2	29,000	(7,500-35,000)	5 °F	80 °F
MULTI30HP230V1A	8.2	30,500	(7,500-36,000)	5 °F	80 °F
MULTI36HP230V1A	8.2	35,800	(10,663-40,944)	5 °F	80 °F
MULTI42HP230V1A	8.2	44,500	(10,663-47,768)	5 °F	80 °F

### Notes:

1. Ratings are based on: Cooling Standard: 80°F (26.7°C) db, 67°F (19.4°C) wb air entering indoor unit and 95°F (35°C) db air entering outdoor unit. Heating Standard: 70°F (21.1°C) db air entering indoor unit and 47°F (8.3°C) db, 43°F (6.1°C) wb air entering outdoor unit.
2. Ratings are based on 25 ft. (7.62 m) of interconnecting refrigerant lines.
3. All system ratings are based on fan coil units operating at high fan speed. Consult Physical Data tables for air flows at selected fan speeds.

### Legend:

EER - Energy Efficiency Ratio  
HSPF - Heating Seasonal Performance Ratio  
SEER - Seasonal Energy Efficiency Ratio

MODEL NUMBER	BRAND	NUMBER OF PORTS FOR INDOOR UNITS
MULTI18HP230V1AO	EXV	2
MULTI24HP230V1AO	EXV	3
MULTI30HP230V1AO	EXV	4
MULTI36HP230V1AO	EXV	4
MULTI42HP230V1AO	EXV	5



# +Multi Outdoor Units

## AIR FLOW DATA

---

### Outdoor Unit

MODEL NUMBER	AIR FLOW (CFM)
MULTI18HP230V1A	1,530
MULTI24HP230V1A	1,530
MULTI30HP230V1A	1,530
MULTI36HP230V1A	2,177
MULTI42HP230V1A	3,237

## SOUND DATA

---

### Outdoor Unit

MODEL NUMBER	SOUND POWER	SOUND PRESSURE
MULTI18HP230V1A	66 dBA	56 dBA
MULTI24HP230V1A	66 dBA	56 dBA
MULTI30HP230V1A	66 dBA	56 dBA
MULTI36HP230V1A	69 dBA	59 dBA
MULTI42HP230V1A	68 dBA	58 dBA

**Note:**

1. Sound pressure ratings are estimated sound pressure measurements, 3 feet from unit.
2. Sound power ratings are per AHRI 270 and AHRI 350.

## PRODUCT WEIGHT

---

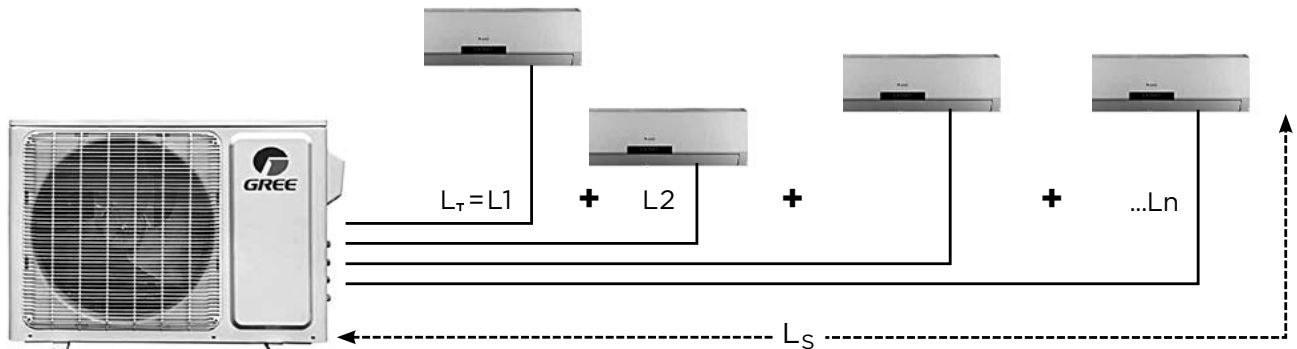
MODEL NUMBER	PRODUCT WEIGHT	
	NET OPERATING	GROSS SHIPPING
MULTI18HP230V1A	95 lbs.	106 lbs.
MULTI24HP230V1A	135 lbs.	146 lbs.
MULTI30HP230V1A	153 lbs.	165 lbs.
MULTI36HP230V1A	161 lbs.	172 lbs.
MULTI42HP230V1A	225 lbs.	247 lbs.

# REFRIGERATION SPECIFICATIONS & DATA

## Refrigerant Charge

MODEL NUMBER	REFRIGERANT TYPE	FACTORY SYSTEM CHARGE	MAX TOTAL PIPE LENGTH W/O ADDING REFRIGERANT	ADDITIONAL CHARGE LEVEL
MULTI18HP230V1A	R-410A	48 oz.	33 ft.	0.2 oz./ft.
MULTI24HP230V1A	R-410A	78 oz.	98 ft.	0.2 oz./ft.
MULTI30HP230V1A	R-410A	78 oz.	131 ft.	0.2 oz./ft.
MULTI36HP230V1A	R-410A	102 oz.	131 ft.	0.2 oz./ft.
MULTI42HP230V1A	R-410A	169 oz.	164 ft.	0.2 oz./ft.

## PIPING LENGTH REQUIREMENTS



$$L_{TOTAL} = L_1 + L_2 + \dots + L_n$$

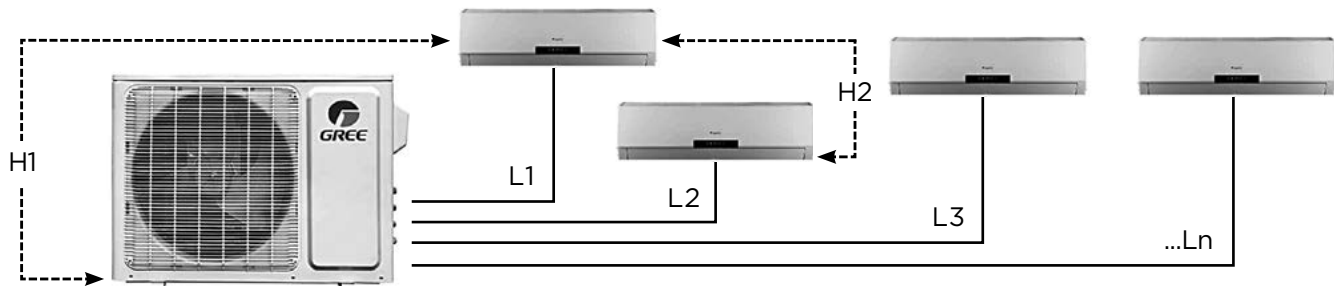
## Refrigerant Piping Lengths

MODEL NUMBER	MAX PIPE LENGTH PER INDOOR UNIT ( $L_n$ )	MAX PIPE LENGTH PER INDOOR UNIT ( $L_n$ )	MAX TOTAL PIPE LENGTH PER INDOOR UNIT ( $L_{TOTAL}$ )
MULTI18HP230V1A	10 ft.	33 ft.	66 ft.
MULTI24HP230V1A	10 ft.	66 ft.	230 ft.
MULTI30HP230V1A	10 ft.	66 ft.	230 ft.
MULTI36HP230V1A	10 ft.	82 ft.	230 ft.
MULTI42HP230V1A	10 ft.	82 ft.	262 ft.

# +Multi Outdoor Units

## PIPING HEIGHT REQUIREMENTS

---



### Refrigerant Piping Height

MODEL NUMBER	MAX ELEVATION BETWEEN OUTDOOR & INDOOR UNITS (H1)	MAX ELEVATION BETWEEN INDOOR UNITS (H1)
MULTI18HP230V1A	33 ft.	16 ft.
MULTI24HP230V1A	66 ft.	25 ft.
MULTI30HP230V1A	66 ft.	25 ft.
MULTI36HP230V1A	82 ft.	25 ft.
MULTI42HP230V1A	82 ft.	25 ft.

# ELECTRICAL DATA

## Outdoor Unit

MODEL NUMBER	RATED POWER SUPPLY (volt-phase-hz)	VOLTAGE RANGE (volts)	RATED INPUT POWER (watts)	
			COOLING	HEATING**
MULTI18HP230V1A	208/230v-1ph-60hz	187-253	1.7	1.6
MULTI24HP230V1A	208/230v-1ph-60hz	187-253	3.1	2.8
MULTI30HP230V1A	208/230v-1ph-60hz	187-253	3.5	2.9
MULTI36HP230V1A	208/230v-1ph-60hz	187-253	4.3	3.6
MULTI42HP230V1A	208/230v-1ph-60hz	187-253	4.4	4.6

## Outdoor Unit

MODEL NUMBER	RATED INPUT CURRENT (amps)		MIN CIRCUIT AMP (MCA)	MAX FUSE SIZE (amps)
	COOLING	HEATING		
MULTI18HP230V1A	7.6	7.5	13	20
MULTI24HP230V1A	13.5	12.4	20	30
MULTI30HP230V1A	15.3	12.6	26	45
MULTI36HP230V1A	19.2	15.8	28	45
MULTI42HP230V1A	19.5	20.5	29	50

## Outdoor Unit

MODEL NUMBER	COMPRESSOR		OUTDOOR FAN		
	RLA (amps)	LRA (amps)	RLA (amps)	HP	INPUT POWER (watts)
MULTI18HP230V1A	9.6	27	0.5	1/12	60
MULTI24HP230V1A	14.7	45	0.6	1/12	60
MULTI30HP230V1A	19.6	45	0.6	1/12	60
MULTI36HP230V1A	21.0	45	0.7	1/8	120
MULTI42HP230V1A	21.5	67	1.1	1/6	140

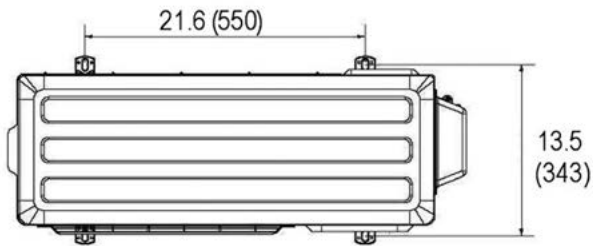
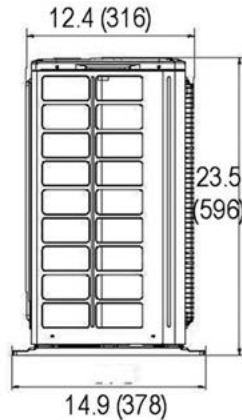
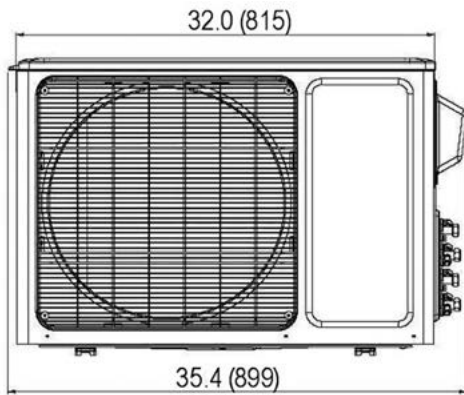
**Legend:** RLA - Rated Load Amps      HP - Horse Power

# +Multi Outdoor Units

## DIMENSIONAL SPECIFICATIONS

**Model No: MULTI18HP230V1A**

**18,000 BtuH**

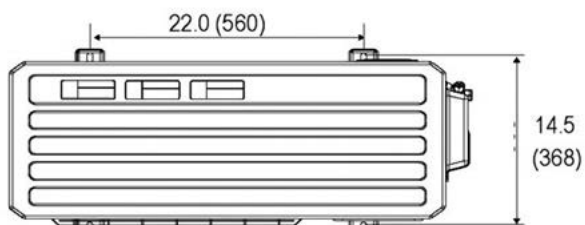
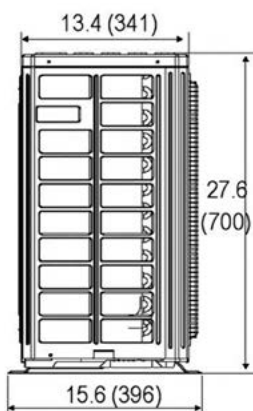
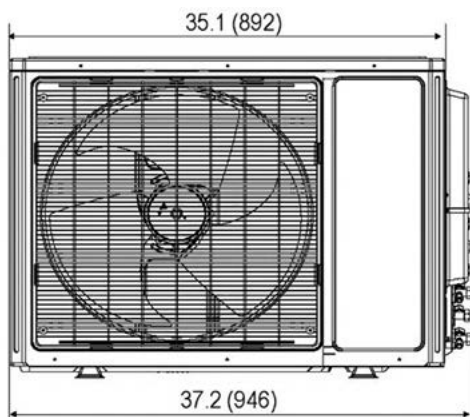


Suction/Gas Line Port Size	
Port A	3/8-in OD Flared
Port B	3/8-in OD Flared

Liquid Line Port Size	
Port A	1/4-in OD Flared
Port B	1/4-in OD Flared

**Model No: MULTI24HP230V1A**

**24,000 BtuH**



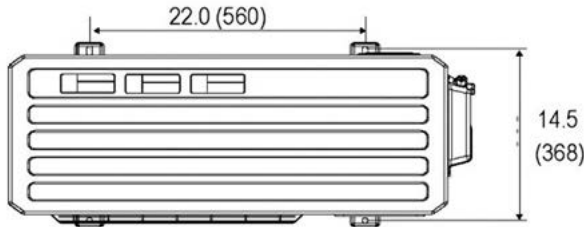
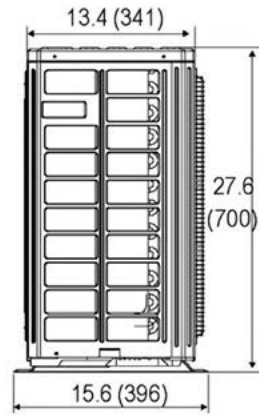
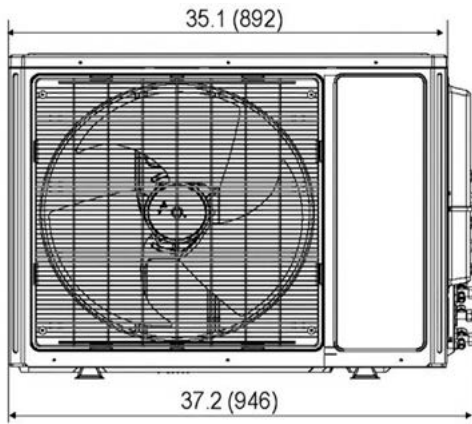
Suction/Gas Line Port Size	
Port A	3/8-in OD Flared
Port B	3/8-in OD Flared
Port C	3/8-in OD Flared

Liquid Line Port Size	
Port A	1/4-in OD Flared
Port B	1/4-in OD Flared
Port C	1/4-in OD Flared

# DIMENSIONAL SPECIFICATIONS

**Model No: MULTI30HP230V1A**

**30,000 BtuH**

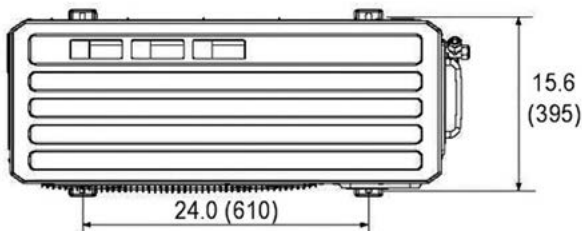
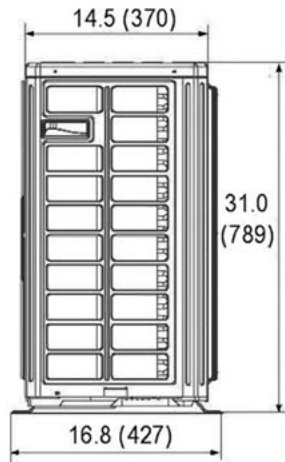
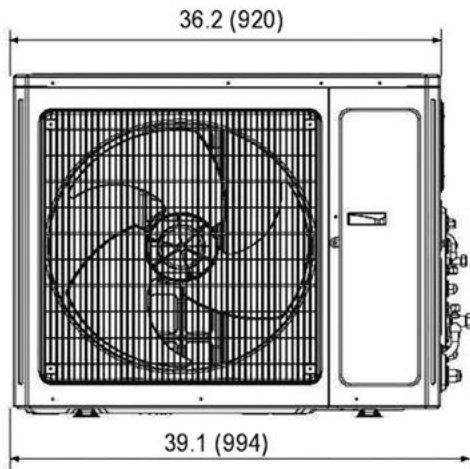


Suction/Gas Line Port Size	
Port A	3/8-in OD Flared
Port B	3/8-in OD Flared
Port C	3/8-in OD Flared
Port D	3/8-in OD Flared

Liquid Line Port Size	
Port A	1/4-in OD Flared
Port B	1/4-in OD Flared
Port C	1/4-in OD Flared
Port D	1/4-in OD Flared

**Model No: MULTI36HP230V1A**

**36,000 BtuH**



Suction/Gas Line Port Size	
Port A	3/8-in OD Flared
Port B	3/8-in OD Flared
Port C	1/2-in OD Flared
Port D	5/8-in OD Flared

Liquid Line Port Size	
Port A	1/4-in OD Flared
Port B	1/4-in OD Flared
Port C	1/4-in OD Flared
Port D	1/4-in OD Flared

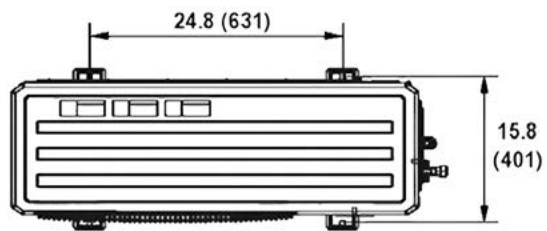
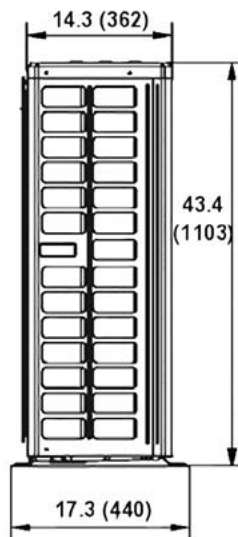
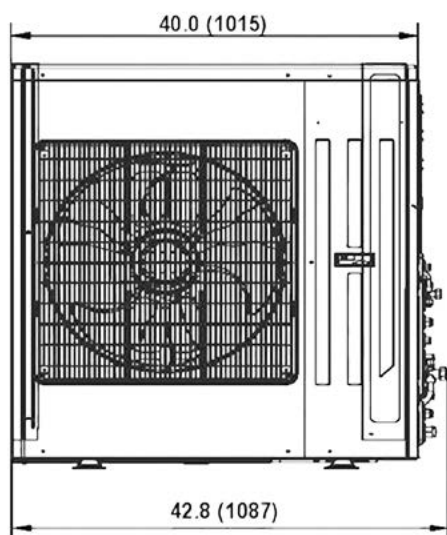
**GREE+**  
**MULTI**

# +Multi Outdoor Units

## DIMENSIONAL SPECIFICATIONS

**Model No: MULTI36HP230V1A**

**36,000 BtuH**



### Suction/Gas Line Port Size

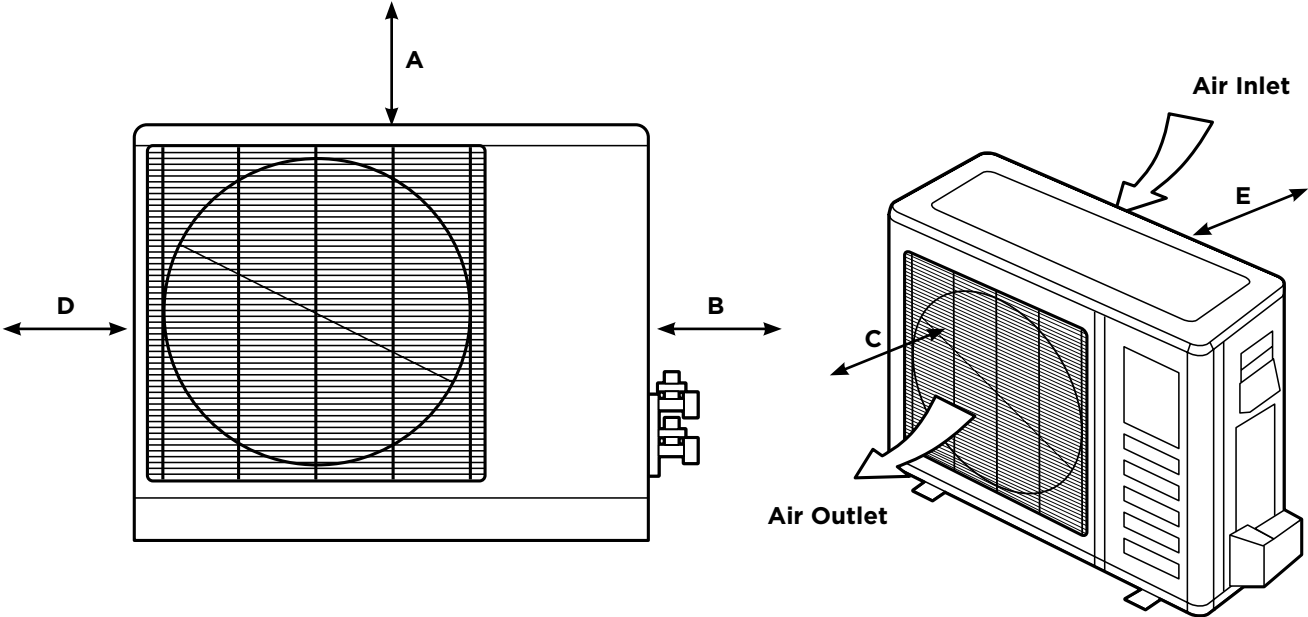
Port A	3/8-in OD Flared
Port B	3/8-in OD Flared
Port C	1/2-in OD Flared
Port D	1/2-in OD Flared
Port E	5/8-in OD Flared

### Liquid Line Port Size

Port A	1/4-in OD Flared
Port B	1/4-in OD Flared
Port C	1/4-in OD Flared
Port D	1/4-in OD Flared
Port E	1/4-in OD Flared

# MINIMUM OUTDOOR CLEARANCE SPECIFICATIONS

The unit installation must meet or exceed the following minimum clearances for proper operation.



Outdoor Unit	Minimum Distance
A	20 in
B	24 in
C	78 in
D	12 in
E	20 in

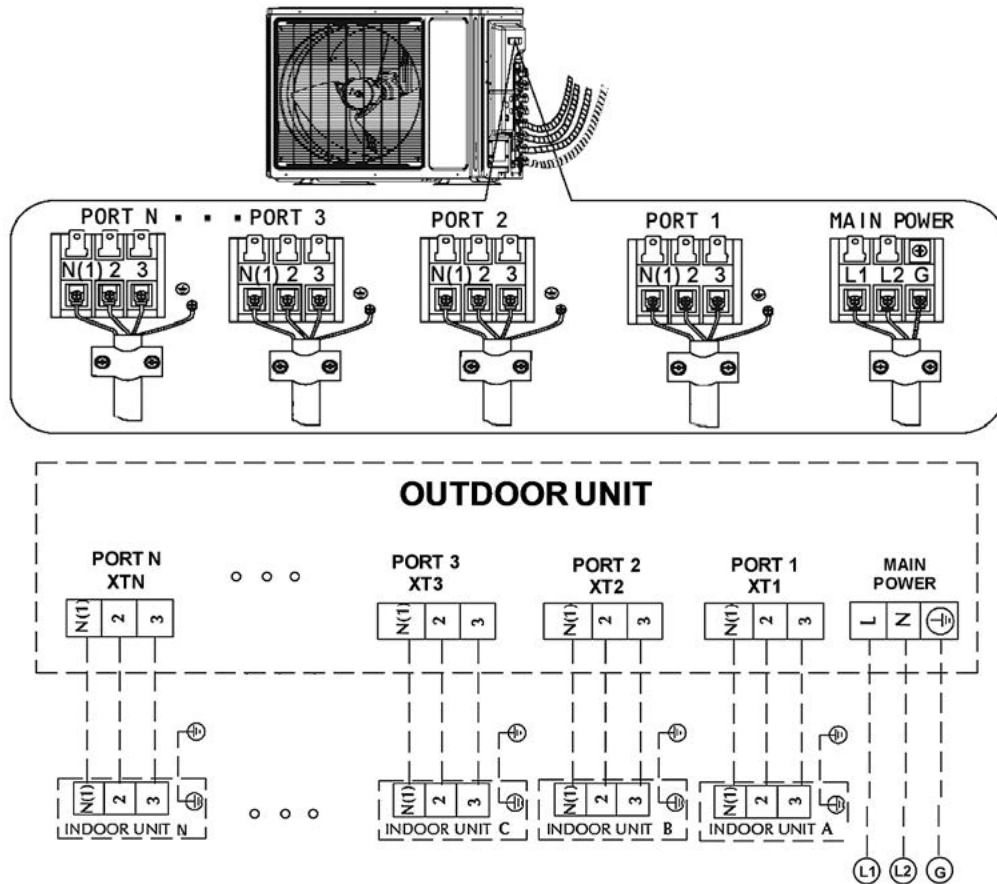


# +Multi Outdoor Units

## ELECTRICAL WIRING



The main power is supplied to the outdoor unit. System must be on a single dedicated circuit. Use appropriate wire size and circuit breaker (or fuse) size for proper system overcurrent protection. Follow all local building codes and NEC (National Electrical Code) regulations.



Interconnecting Cable Wiring Diagram

208/230v 60Hz

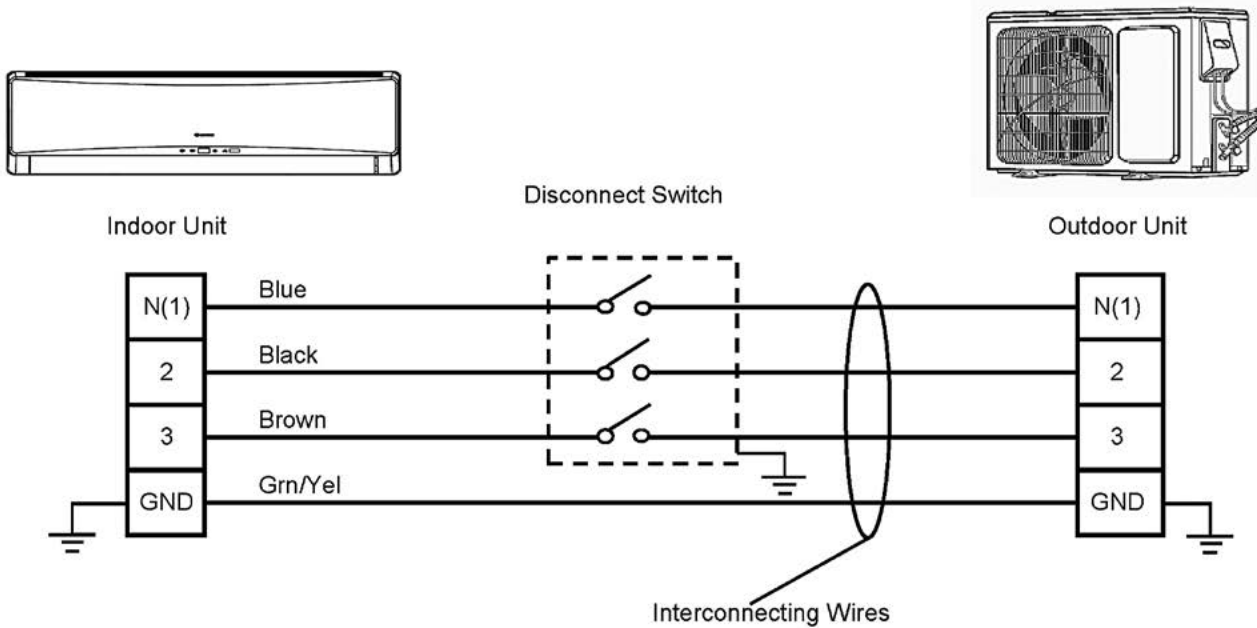
The indoor units are powered by the outdoor unit. The interconnecting cable between the outdoor and indoor units must be a 14/4 AWG stranded copper conductors THHN 600V unshielded wire. The interconnecting cable should not be buried underground and must be recognized by UL or ETL and CSA certified.

*Note: Use shield cable if installation is in close proximity of RF and EMI transmitting devices.*

# ELECTRICAL WIRING

---

Local codes may require a disconnect switch within sight of the indoor unit. For these installations, use a DFS Disconnect Switch Accessory Kit (Part No: DFS-SWITCH-A) to break wires going to the N(1), 2, 3, terminals on the indoor unit, as shown in the wiring diagram below:



*Interconnecting Cable with Disconnect Switch Wiring Diagram*

# CONDENSATE REMOVAL

---

Install condensate drain to bottom of outdoor unit to safely and effectively route condensate water to a safe location. Use a flexible condensate drain hose to fit over the factory 5/8-inch (16mm) drainage port.

The high wall indoor units have an internal condensate trap. Adding an external trap is not required.

All condensate drains must meet local codes and regulations. If adequate gravity drainage cannot be provided, a field-installed condensate pump must be used. Refer to manufacturer's installation instructions, specifications and operating details supplied with condensate pump.

# +Multi Outdoor Units

## INDOOR UNIT COMBINATIONS

### SELECTION CRITERIA

When selecting a variable speed system, match the system capacity to the calculated load of the building. Since a variable speed system can accommodate a wide range of loads, it is important to understand the percentage of time that the system will be required to run at both maximum and minimum load points. Generally there will be more load diversification in residential applications (shifting from low load to high load). Commercial applications tend to be more steady during normal daytime hours, and go to low load levels after hours. The tables below are guidelines for selecting the proper size.

**Model No: MULTI18HP230V1A**

**18,000 BtuH**

### Cooling Capacity (BtuH)

INDOOR UNITS COMBINATIONS	RATED SYSTEM CAPACITY (BtuH)	CAPACITY RATING (MIN - MAX) (BtuH)	INDOOR UNIT A (BtuH)	INDOOR UNIT B (BtuH)
9K	9,000	5,118-11,940	9,000	
12K	12,000	6,824-15,000	12,000	
9K+9K	18,000	7,000-21,000	9,000	9,000
9K+12K	21,000	7,100-22,000	9,000	12,000
12K+12K	24,000	7,200-22,000	12,000	12,000

### Heating Capacity (BtuH)

INDOOR UNITS COMBINATIONS	RATED SYSTEM CAPACITY (BtuH)	CAPACITY RATING (MIN - MAX) (BtuH)	INDOOR UNIT A (BtuH)	INDOOR UNIT B (BtuH)
9K	9,500	5,460-15,360	9,500	
12K	13,000	6,150-16,400	13,000	
9K+9K	19,000	8,530-22,600	9,500	9,500
9K+12K	22,500	8,530-22,600	9,500	13,000
12K+12K	26,000	8,530-22,600	13,000	13,000

**Note:** It is critical to size the outdoor unit for the entire building load and each indoor unit for its individual zone load.

**Capacity data is based on the following conditions:**

Cooling Nominal Test Conditions  
 Indoor: 80°F DB/67°F WB  
 Outdoor: 95°F DB/75°F WB

Heating Normal Test Conditions  
 Indoor: 70°F DB/60°F WB  
 Outdoor: 47°F DB/43°F W

# INDOOR UNIT COMBINATIONS

**Model No: MULTI24HP230V1A**

**24,000 BtuH**

## Cooling Capacity (BtuH)

INDOOR UNITS COMBINATIONS	RATED SYSTEM CAPACITY (BtuH)	CAPACITY RATING (MIN - MAX) (BtuH)	INDOOR UNIT A (BtuH)	INDOOR UNIT B (BtuH)	INDOOR UNIT C (BtuH)
9K+9K	18,000	6,824~26,600	9,000	9,000	
9K+12K	21,000	7,165~27,300	9,000	12,000	
12K+12K	24,000	7,200~30,000	12,000	12,000	
9K+18K	25,000	7,300~32,000	8,400	16,600	
12K+18K	25,000	7,400~32,500	10,000	15,000	
18K+18K	25,500	7,500~32,500	12,750	12,750	
9K+9K+9K	26,000	7,500~34,000	8,667	8,667	8,667
9K+9K+12K	26,000	7,500~34,000	8,000	8,000	10,000
9K+12K+12K	26,000	7,500~34,000	6,000	10,000	10,000
9K+9K+18K	26,000	7,500~34,000	7,000	7,000	12,000
12K+12K+12K	26,000	7,500~34,000	8,667	8,667	8,667

## Heating Capacity (BtuH)

INDOOR UNITS COMBINATIONS	RATED SYSTEM CAPACITY (BtuH)	CAPACITY RATING (MIN - MAX) (BtuH)	INDOOR UNIT A (BtuH)	INDOOR UNIT B (BtuH)	INDOOR UNIT C (BtuH)
9K+9K	19,000	7,100~33,000	9,500	9,500	
9K+12K	22,500	7,100~33,500	9,500	13,000	
12K+12K	26,000	7,200~34,000	13,000	13,000	
9K+18K	27,000	7,300~34,000	9,000	18,000	
12K+18K	28,000	7,400~34,000	11,200	16,800	
18K+18K	28,500	7,400~34,400	14,250	14,250	
9K+9K+9K	29,000	7,500~35,000	9,667	9,667	9,667
9K+9K+12K	29,000	7,600~35,000	9,000	9,000	11,000
9K+12K+12K	29,000	7,600~35,000	6,000	11,500	11,500
9K+9K+18K	29,000	7,600~35,000	6,000	6,000	17,000
12K+12K+12K	29,000	7,600~35,000	9,667	9,667	9,667

**Note:** It is critical to size the outdoor unit for the entire building load and each indoor unit for its individual zone load.

**Capacity data is based on the following conditions:**

Cooling Nominal Test Conditions  
 Indoor: 80°F DB/67°F WB  
 Outdoor: 95°F DB/75°F WB

Heating Normal Test Conditions  
 Indoor: 70°F DB/60°F WB  
 Outdoor: 47°F DB/43°F W

# +Multi Outdoor Units

## INDOOR UNIT COMBINATIONS

**Model No: MULTI30HP230V1A**

**30,000 BtuH**

### Cooling Capacity (BtuH)

INDOOR UNITS COMBINATIONS	RATED SYSTEM CAPACITY (BtuH)	CAPACITY RATING (MIN - MAX) (BtuH)	INDOOR UNIT A (BtuH)	INDOOR UNIT B (BtuH)	INDOOR UNIT C (BtuH)	INDOOR UNIT D (BtuH)
9K+9K	18,000	6,824-26,600	9,000	9,000		
9K+12K	21,000	7,165-27,300	9,000	12,000		
12K+12K	24,000	7,200-30,000	12,000	12,000		
9K+18K	25,000	7,300-32,000	8,400	16,600		
12K+18K	25,500	7,400-32,500	10,000	15,000		
18K+18K	26,000	7,500-32,500	12,750	12,750		
9K+9K+9K	26,000	7,500-34,000	8,667	8,667	8,667	
9K+9K+12K	26,000	7,500-34,000	8,000	8,000	10,000	
9K+12K+12K	26,000	7,500-34,000	6,000	10,000	10,000	
9K+9K+18K	26,000	7,500-34,000	7,000	7,000	12,000	
12K+12K+12K	26,000	7,500-34,000	8,667	8,667	8,667	
9K+12K+18K	27,000	7,500-34,000	6,800	7,200	13,000	
12K+12K+18K	28,000	7,500-34,000	6,500	6,500	15,000	
9K+9K+9K+9K	29,000	7,500-34,000	7,250	7,250	7,250	7,250
9K+9K+9K+12K	29,000	7,500-34,000	7,000	7,000	7,000	8,000
9K+9K+12K+12K	29,000	7,500-34,000	6,800	6,800	7,700	7,700

### Heating Capacity (BtuH)

INDOOR UNITS COMBINATIONS	RATED SYSTEM CAPACITY (BtuH)	CAPACITY RATING (MIN - MAX) (BtuH)	INDOOR UNIT A (BtuH)	INDOOR UNIT B (BtuH)	INDOOR UNIT C (BtuH)	INDOOR UNIT D (BtuH)
9K+9K	19,000	7,100-33,000	9,500	9,500		
9K+12K	22,500	7,100-33,500	9,500	13,000		
12K+12K	26,000	7,200-34,000	13,000	13,000		
9K+18K	27,000	7,300-34,000	9,000	18,000		
12K+18K	28,000	7,400-34,000	11,200	16,800		
18K+18K	28,500	7,400-34,400	14,250	14,250		
9K+9K+9K	29,000	7,500-35,000	9,667	9,667	9,667	
9K+9K+12K	29,000	7,600-35,000	9,000	9,000	11,000	
9K+12K+12K	29,000	7,600-35,000	6,000	11,500	11,500	
9K+9K+18K	29,000	7,600-35,000	6,000	6,000	17,000	
12K+12K+12K	29,000	7,600-35,000	9,667	9,667	9,667	

# INDOOR UNIT COMBINATIONS

**Model No: MULTI30HP230V1A**

**30,000 BtuH (cont.)**

## Heating Capacity (BtuH)

INDOOR UNITS COMBINATIONS	RATED SYSTEM CAPACITY (BtuH)	CAPACITY RATING (MIN - MAX) (BtuH)	INDOOR UNIT A (BtuH)	INDOOR UNIT B (BtuH)	INDOOR UNIT C (BtuH)	INDOOR UNIT D (BtuH)
9K+12K+18K	29,000	7,600-35,000	6,802	9,309	12,888	
12K+12K+18K	29,000	7,600-35,000	8,567	8,567	11,862	
9K+9K+9K+9K	30,500	7,600-36,000	7,625	7,625	7,625	7,625
9K+9K+9K+12K	30,500	7,600-36,000	7,100	7,100	7,100	9,200
9K+9K+12K+12K	31,000	7,600-36,000	6,500	6,500	9,000	9,000

**Note:** It is critical to size the outdoor unit for the entire building load and each indoor unit for its individual zone load.

**Capacity data is based on the following conditions:**

Cooling Nominal Test Conditions  
 Indoor: 80°F DB/67°F WB  
 Outdoor: 95°F DB/75°F WB

Heating Normal Test Conditions  
 Indoor: 70°F DB/60°F WB  
 Outdoor: 47°F DB/43°F W

**Model No: MULTI36HP230V1A**

**36,000 BtuH**

## Cooling Capacity (BtuH)

INDOOR UNITS COMBINATIONS	RATED SYSTEM CAPACITY (BtuH)	CAPACITY RATING (MIN - MAX) (BtuH)	INDOOR UNIT A (BtuH)	INDOOR UNIT B (BtuH)	INDOOR UNIT C (BtuH)	INDOOR UNIT D (BtuH)
9K+9K	17,060	10,236-26,614	8,530	8,530		
9K+12K	20,472	10,236-27,297	8,530	12,283		
9K+18K	24,226	10,236-31,391	7,506	16,719		
9K+24K (2)	27,297	10,236-31,391	6,824	20,472		
12K+12K	20,472	10,236-31,391	10,236	10,236		
12K+18K	27,297	10,236-32,415	10,577	13,648		
12K+24K (2)	27,297	10,236-32,415	10,236	17,060		
18K+18K	27,297	10,236-32,415	13,648	13,648		
18K+24K (2)	27,297	10,236-32,415	12,283	15,354		
24K +24K (2)	27,297	10,236-32,415	13,648	13,648		
9K+9K+9K	24,567	10,236-30,709	8,189	8,189	8,189	
9K+9K+12K	24,567	10,236-30,709	6,994	7,336	10,236	
9K+9K+18K	29,685	10,236-32,756	7,165	7,165	15,354	
9K+9K+24K (2)	29,685	10,236-32,756	6,312	6,312	17,060	
9K+12K+12K	29,685	10,236-32,756	7,506	11,089	11,089	
9K+12K+18K	29,685	10,236-32,756	6,141	10,065	13,477	
9K+12K+24K (2)	29,685	10,236-32,756	5,459	8,018	16,207	
9K+18K+18K	29,685	10,236-32,756	5,971	11,771	11,771	
9K+18K+24K (2)	29,685	10,236-32,756	5,459	9,042	15,184	

# +Multi Outdoor Units

## INDOOR UNIT COMBINATIONS

**Model No: MULTI36HP230V1A**

**36,000 BtuH (cont.)**

### Cooling Capacity (BtuH)

INDOOR UNITS COMBINATIONS	RATED SYSTEM CAPACITY (BtuH)	CAPACITY RATING (MIN - MAX) (BtuH)	INDOOR UNIT A (BtuH)	INDOOR UNIT B (BtuH)	INDOOR UNIT C (BtuH)	INDOOR UNIT D (BtuH)
12K+12K+12K	29,685	10,236-32,756	9,895	9,895	9,895	
12K+12K+18K	29,685	10,236-32,756	8,530	8,530	12,624	
12K+12K+24K (2)	29,685	10,236-32,756	7,506	7,506	14,672	
12K+18K+18K	29,685	10,236-32,756	9,212	12,283	12,283	
18K+18K+18K	29,685	10,236-32,756	9,895	9,895	9,895	
9K+9K+9K+9K	33,438	10,236-34,121	8,359	8,359	8,359	8,359
9K+9K+9K+12K	33,438	10,236-34,121	7,506	7,506	7,506	10,918
9K+9K+9K+18K	33,438	10,236-34,121	6,824	6,824	6,824	12,283
9K+9K+9K+24K (2)	33,438	10,236-34,121	6,141	6,141	6,141	15,013
9K+9K+12K+12K	33,438	10,236-34,121	6,824	6,824	9,895	9,895
9K+9K+12K+18K	33,438	10,236-34,121	6,312	6,312	8,871	12,283
9K+9K+18K+18K	33,438	10,236-34,121	5,459	5,459	11,260	11,260
9K+12K+12K+12K	33,438	10,236-34,121	7,847	8,530	8,530	8,530
9K+12K+12K+18K	33,438	10,236-34,121	6,141	7,506	7,506	12,283
12K+12K+12K+12K	33,438	10,236-34,121	8,359	8,359	8,359	8,359

### Heating Capacity (BtuH)

INDOOR UNITS COMBINATIONS	RATED SYSTEM CAPACITY (BtuH)	CAPACITY RATING (MIN - MAX) (BtuH)	INDOOR UNIT A (BtuH)	INDOOR UNIT B (BtuH)	INDOOR UNIT C (BtuH)	INDOOR UNIT D (BtuH)
9K+9K	22,178	15,354-29,003	11,089	11,089		
9K+12K	26,614	15,354-32,756	11,089	15,968		
9K+18K	31,494	15,354-33,780	9,758	21,735		
9K+24K (2)	32,756	15,354-33,780	8,189	24,567		
12K+12K	26,614	15,354-33,780	13,307	13,307		
12K+18K	32,756	15,354-33,780	12,693	16,378		
12K+24K (2)	32,756	15,354-33,780	12,283	20,472		
18K+18K	32,756	15,354-33,780	16,378	16,378		
18K+24K (2)	32,756	15,354-33,780	14,740	18,425		
24K +24K (2)	32,756	15,354-33,780	16,378	16,378		
9K+9K+9K	27,024	15,354-33,780	9,008	9,008	9,008	

# INDOOR UNIT COMBINATIONS

**Model No: MULTI36HP230V1A**

**36,000 BtuH (cont.)**

## Heating Capacity (BtuH)

INDOOR UNITS COMBINATIONS	RATED SYSTEM CAPACITY (BtuH)	CAPACITY RATING (MIN - MAX) (BtuH)	INDOOR UNIT A (BtuH)	INDOOR UNIT B (BtuH)	INDOOR UNIT C (BtuH)	INDOOR UNIT D (BtuH)
9K+9K+12K	27,024	15,354-33,780	7,694	8,069	11,260	
9K+9K+18K	35,622	15,354-37,533	8,598	8,598	18,425	
9K+9K+24K (2)	35,622	15,354-37,533	7,574	7,574	20,472	
9K+12K+12K	35,622	15,354-37,533	9,008	13,307	13,307	
9K+12K+18K	35,622	15,354-37,533	7,370	12,078	16,173	
9K+12K+24K (2)	35,622	15,354-37,533	6,551	9,622	19,449	
9K+18K+18K	35,622	15,354-37,533	7,165	14,126	14,126	
9K+18K+24K (2)	35,622	15,354-37,533	6,551	10,850	18,220	
12K+12K+12K	35,622	15,354-37,533	11,874	11,874	11,874	
12K+12K+18K	35,622	15,354-37,533	10,236	10,236	15,149	
12K+12K+24K (2)	35,622	15,354-37,533	9,008	9,008	17,606	
12K+18K+18K	35,622	15,354-37,533	11,055	14,740	14,740	
18K+18K+18K	35,622	15,354-37,533	11,874	11,874	11,874	
9K+9K+9K+9K	40,126	15,354-40,945	10,031	10,031	10,031	10,031
9K+9K+9K+12K	40,126	15,354-40,945	9,008	9,008	9,008	13,102
9K+9K+9K+18K	40,126	15,354-40,945	8,189	8,189	8,189	14,740
9K+9K+9K+24K (2)	40,126	15,354-40,945	7,370	7,370	7,370	18,016
9K+9K+12K+12K	40,126	15,354-40,945	8,189	8,189	11,874	11,874
9K+9K+12K+18K	40,126	15,354-40,945	7,574	7,574	10,645	14,740
9K+9K+18K+18K	40,126	15,354-40,945	6,551	6,551	13,512	13,512
9K+12K+12K+12K	40,126	15,354-40,945	9,417	10,236	10,236	10,236
9K+12K+12K+18K	40,126	15,354-40,945	7,370	9,008	9,008	14,740
12K+12K+12K+12K	40,126	15,354-40,945	10,031	10,031	10,031	10,031

**Notes:** 1) It is critical to size the outdoor unit for the entire building load and each indoor unit for its individual zone load.  
2) 24K size is reserved for Ceiling Cassettes, Concealed Ducts, and Floor/Ceilings units only. Not Wall Mount units.

**Capacity data is based on the following conditions:**

Cooling Nominal Test Conditions:  
Indoor: 80°F DB/67°F WB  
Outdoor: 95°F DB/75°F WB

Heating Normal Test Conditions  
Indoor: 70°F DB/60°F WB  
Outdoor: 47°F DB/43°F W



# +Multi Outdoor Units

## INDOOR UNIT COMBINATIONS

**Model No: MULTI42HP230V1A**

**42,000 BtuH**

### Cooling Capacity (BtuH)

INDOOR UNITS COMBINATIONS	RATED SYSTEM CAPACITY (BtuH)	CAPACITY RATING (MIN - MAX) (BtuH)	INDOOR UNIT A (BtuH)	INDOOR UNIT B (BtuH)	INDOOR UNIT C (BtuH)	INDOOR UNIT D (BtuH)	INDOOR UNIT E (BtuH)
9K+9K	20,472	11,942-30,709	8,530	8,530			
9K+12K	20,472	11,942-30,709	8,530	11,942			
9K+18K	24,226	11,942-30,709	7,506	16,719			
9K+24K (2)	27,297	11,942-30,709	6,824	20,472			
12K+12K	20,472	11,942-27,297	10,236	10,236			
12K+18K	27,297	11,942-30,709	10,577	16,719			
12K+24K (2)	32,415	11,942-37,533	10,236	22,178			
18K+18K	32,415	11,942-37,533	16,207	16,207			
18K+24K (2)	32,415	11,942-37,533	13,989	18,766			
24K +24K (2)	32,415	11,942-37,533	16,207	16,207			
9K+9K+9K	24,567	11,942-30,709	8,189	8,189	8,189		
9K+9K+12K	24,567	11,942-30,709	6,994	7,336	10,236		
9K+9K+18K	32,415	11,942-37,533	8,018	8,018	16,378		
9K+9K+24K (2)	35,486	11,942-41,628	8,189	8,189	19,107		
9K+12K+12K	29,685	11,942-32,756	8,530	10,577	10,577		
9K+12K+18K	35,486	11,942-41,628	8,530	10,918	16,037		
9K+12K+24K (2)	39,580	11,942-46,405	7,847	9,553	22,178		
9K+18K+18K	39,580	11,942-46,405	7,165	15,013	15,013		
9K+18K+24K (2)	39,580	11,942-46,405	6,824	13,648	19,107		
9K+24K+24K (2)	39,580	11,942-46,405	5,800	16,890	16,890		
12K+12K+12K	35,486	11,942-41,628	11,771	11,771	11,942		
12K+12K+18K	35,486	11,942-41,628	10,918	10,918	13,648		
12K+12K+24K (2)	39,580	11,942-46,405	10,065	10,065	19,449		
12K+18K+18K	39,580	11,942-46,405	9,553	15,013	15,013		
12K+18K+24K (2)	39,580	11,942-46,405	9,042	14,160	16,378		
12K+24K+24K (2)	39,580	11,942-46,405	8,530	15,525	15,525		
18K+18K+18K	39,580	11,942-46,405	13,136	13,136	13,307		
18K+18K+24K (2)	39,580	11,942-46,405	12,283	12,283	15,013		
9K+9K+9K+9K	35,486	11,942-41,628	8,871	8,871	8,871	8,871	
9K+9K+9K+12K	35,486	11,942-41,628	8,189	8,189	8,189	10,918	
9K+9K+9K+18K	39,580	11,942-46,405	7,847	7,847	7,847	16,037	
9K+9K+9K+24K (2)	39,580	11,942-46,405	6,824	6,824	6,824	19,107	
9K+9K+12K+12K	35,486	11,942-41,628	7,165	7,165	10,577	10,577	
9K+9K+12K+18K	39,580	11,942-46,405	6,824	6,824	10,577	15,354	
9K+9K+12K+24K (2)	39,580	11,942-46,405	6,312	6,312	9,553	17,572	
9K+9K+18K+18K	39,580	11,942-46,405	6,483	6,483	13,307	13,307	
9K+9K+18K+24K (2)	39,580	11,942-46,405	6,141	6,141	10,407	16,890	
9K+12K+12K+12K	39,580	11,942-46,405	7,847	10,577	10,577	10,577	
9K+12K+12K+18K	39,580	11,942-46,405	7,165	8,700	8,700	15,013	
9K+12K+12K+24K (2)	39,580	11,942-46,405	6,483	7,933	7,933	17,231	
9K+12K+18K+18K	39,580	11,942-46,405	6,483	8,189	12,454	12,454	

# INDOOR UNIT COMBINATIONS

**Model No: MULTI42HP230V1A**

**42,000 BtuH (cont.)**

## Cooling Capacity (BtuH)

INDOOR UNITS COMBINATIONS	RATED SYSTEM CAPACITY (BtuH)	CAPACITY RATING (MIN - MAX) (BtuH)	INDOOR UNIT A (BtuH)	INDOOR UNIT B (BtuH)	INDOOR UNIT C (BtuH)	INDOOR UNIT D (BtuH)	INDOOR UNIT E (BtuH)
9K+18K+18K+18K	39,580	11,942-46,405	5,800	11,260	11,260	11,260	
12K+12K+12K+12K	39,580	11,942-46,405	9,895	9,895	9,895	9,895	
12K+12K+12K+18K	39,580	11,942-46,405	8,359	8,359	8,359	14,501	
12K+12K+12K+24K (2)	39,580	11,942-46,405	7,506	7,506	7,506	17,060	
12K+12K+18K+18K	39,580	11,942-46,405	7,847	7,847	11,942	11,942	
9K+9K+9K+9K+9K	39,580	11,942-46,405	7,916	7,916	7,916	7,916	7,916
9K+9K+9K+9K+12K	39,580	11,942-46,405	7,421	7,421	7,421	7,421	9,895
9K+9K+9K+9K+18K	39,580	11,942-46,405	6,824	6,824	6,824	6,824	12,283
9K+9K+9K+9K+24K (2)	39,580	11,942-46,405	6,483	6,483	6,483	6,483	13,648
9K+9K+9K+12K+12K	39,580	11,942-46,405	7,165	7,165	7,165	9,042	9,042
9K+9K+9K+12K+18K	39,580	11,942-46,405	6,483	6,483	6,483	8,274	11,857
9K+9K+9K+18K+18K	39,580	11,942-46,405	6,483	6,483	6,483	10,065	10,065
9K+9K+12K+12K+12K	39,580	11,942-46,405	6,483	6,483	8,871	8,871	8,871
9K+9K+12K+12K+18K	39,580	11,942-46,405	5,971	5,971	8,018	8,018	11,601
9K+12K+12K+12K+12K	39,580	11,942-46,405	6,483	8,274	8,274	8,274	8,274
9K+12K+12K+12K+18K	39,580	11,942-46,405	6,141	7,592	7,592	7,592	10,662
12K+12K+12K+12K+12K	39,580	11,942-46,405	7,916	7,916	7,916	7,916	7,916

## Heating Capacity (BtuH)

INDOOR UNITS COMBINATIONS	RATED SYSTEM CAPACITY (BtuH)	CAPACITY RATING (MIN - MAX) (BtuH)	INDOOR UNIT A (BtuH)	INDOOR UNIT B (BtuH)	INDOOR UNIT C (BtuH)	INDOOR UNIT D (BtuH)	INDOOR UNIT E (BtuH)
9K+9K	25,591	15,354-33,780	10,662	14,928			
9K+12K	25,591	15,354-33,780	10,662	14,928			
9K+18K	30,282	15,354-33,780	9,383	20,899			
9K+24K (2)	34,121	15,354-33,533	8,530	25,591			
12K+12K	25,591	15,354-30,026	12,795	12,795			
12K+18K	34,121	15,354-37,533	13,222	20,899			
12K+24K (2)	40,519	15,354-42,651	12,795	27,723			
18K+18K	40,519	15,354-42,651	20,261	20,261			
18K+24K (2)	40,519	15,354-42,651	17,487	23,458			
24K+24K (2)	40,519	15,354-42,651	20,261	20,261			
9K+9K+9K	30,709	15,354-40,945	10,236	10,236	10,236		
9K+9K+12K	30,709	15,354-40,945	8,745	9,171	12,795		
9K+9K+18K	40,519	15,354-42,651	10,024	10,024	20,472		
9K+9K+24K (2)	44,357	15,354-45,040	10,236	10,236	23,884		
9K+12K+12K	37,107	15,354-40,945	10,662	13,222	13,222		
9K+12K+18K	44,357	15,354-45,040	10,662	13,648	20,046		
9K+12K+24K (2)	45,040	15,354-47,769	8,929	10,871	25,239		
9K+18K+18K	45,040	15,354-47,769	8,155	17,084	17,084		
9K+18K+24K (2)	45,040	15,354-47,769	7,766	15,532	21,742		
9K+24K+24K (2)	45,040	15,354-47,769	6,599	19,220	19,220		
12K+12K+12K	44,357	15,354-45,040	14,716	14,716	14,928		

# +Multi Outdoor Units

## INDOOR UNIT COMBINATIONS

**Model No: MULTI42HP230V1A**

**42,000 BtuH (cont.)**

### Heating Capacity (BtuH)

INDOOR UNITS COMBINATIONS	RATED SYSTEM CAPACITY (BtuH)	CAPACITY RATING (MIN - MAX) (BtuH)	INDOOR UNIT A (BtuH)	INDOOR UNIT B (BtuH)	INDOOR UNIT C (BtuH)	INDOOR UNIT D (BtuH)	INDOOR UNIT E (BtuH)
12K+12K+18K	44,357	15,354-45,040	13,648	13,648	17,060		
12K+12K+24K (2)	45,040	15,354-47,769	11,454	11,454	22,131		
12K+18K+18K	45,040	15,354-47,769	10,871	17,084	17,084		
12K+18K+24K (2)	45,040	15,354-47,769	10,291	16,112	18,637		
12K+24K+24K (2)	45,040	15,354-47,769	9,707	17,668	17,668		
18K+18K+18K	45,040	15,354-47,769	14,948	14,948	15,143		
18K+18K+24K (2)	45,040	15,354-47,769	13,979	13,979	17,084		
9K+9K+9K+9K	44,357	15,354-47,769	11,089	11,089	11,089	11,089	
9K+9K+9K+12K	44,357	15,354-47,769	10,236	10,236	10,236	13,648	
9K+9K+9K+18K	45,040	15,354-47,769	8,929	8,929	8,929	18,248	
9K+9K+9K+24K (2)	45,040	15,354-47,769	7,766	7,766	7,766	21,742	
9K+9K+12K+12K	44,357	15,354-47,769	8,956	8,956	13,222	13,222	
9K+9K+12K+18K	45,040	15,354-47,769	7,766	7,766	12,038	17,473	
9K+9K+12K+24K (2)	45,040	15,354-47,769	7,182	7,182	10,871	19,995	
9K+9K+18K+18K	45,040	15,354-47,769	7,377	7,377	15,143	15,143	
9K+9K+18K+24K (2)	45,040	15,354-47,769	6,988	6,988	11,843	19,220	
9K+12K+12K+12K	45,040	15,354-47,769	8,929	12,038	12,038	12,038	
9K+12K+12K+18K	45,040	15,354-47,769	8,155	9,902	9,902	17,084	
9K+12K+12K+24K (2)	45,040	15,354-47,769	7,377	9,028	9,028	19,609	
9K+12K+18K+18K	45,040	15,354-47,769	7,377	9,318	14,170	14,170	
9K+18K+18K+18K	45,040	15,354-47,769	6,599	12,812	12,812	12,812	
12K+12K+12K+12K	45,040	15,354-47,769	11,260	11,260	11,260	11,260	
12K+12K+12K+18K	45,040	15,354-47,769	9,513	9,513	9,513	16,501	
12K+12K+12K+24K (2)	45,040	15,354-47,769	8,540	8,540	8,540	19,415	
12K+12K+18K+18K	45,040	15,354-47,769	8,929	8,929	13,590	13,590	
9K+9K+9K+9K+9K	45,040	15,354-47,769	9,008	9,008	9,008	9,008	9,008
9K+9K+9K+9K+12K	45,040	15,354-47,769	8,445	8,445	8,445	8,445	11,260
9K+9K+9K+9K+18K	45,040	15,354-47,769	7,766	7,766	7,766	7,766	13,979
9K+9K+9K+9K+24K (2)	45,040	15,354-47,769	7,377	7,377	7,377	7,377	15,532
9K+9K+9K+12K+12K	45,040	15,354-47,769	8,155	8,155	8,155	10,291	10,291
9K+9K+9K+12K+18K	45,040	15,354-47,769	7,377	7,377	7,377	9,414	13,491
9K+9K+9K+18K+18K	45,040	15,354-47,769	7,377	7,377	7,377	11,454	11,454
9K+9K+12K+12K+12K	45,040	15,354-47,769	7,377	7,377	10,096	10,096	10,096
9K+9K+12K+12K+18K	45,040	15,354-47,769	6,793	6,793	9,124	9,124	13,201
9K+12K+12K+12K+12K	45,040	15,354-47,769	7,377	9,414	9,414	9,414	9,414
9K+12K+12K+12K+18K	45,040	15,354-47,769	6,988	8,639	8,639	8,639	12,133
12K+12K+12K+12K+12K	45,040	15,354-47,769	9,008	9,008	9,008	9,008	9,008

**Notes:** 1) It is critical to size the outdoor unit for the entire building load and each indoor unit for its individual zone load.  
2) 24K size is reserved for Ceiling Cassettes, Concealed Ducts, and Floor/Ceilings units only. Not Wall Mount units.

**Capacity data is based on the following conditions:**

Cooling Nominal Test Conditions:  
Indoor: 80°F DB/67°F WB  
Outdoor: 95°F DB/75°F WB

Heating Normal Test Conditions:  
Indoor: 70°F DB/60°F WB  
Outdoor: 47°F DB/43°F W

# EXTENDED PERFORMANCE RATINGS

**Model No: MULT18HP230V1A**

**18,000 BtuH**

## Cooling Performance

OUTDOOR AMBIENT TEMPERATURE (DB)	INDOOR ENTERING AIR TEMPERATURES (DB) 50% RH					
	62°F		67°F		72°F	
	TC	SHC	TC	SHC	TC	SHC
25°F	22,145	16,443	23,936	17,330	25,587	18,422
35°F	21,641	16,423	23,047	16,825	24,167	17,473
45°F	20,572	15,799	22,000	16,324	23,571	17,089
55°F	19,805	15,329	21,119	15,839	22,640	16,528
65°F	19,130	14,864	21,049	15,977	22,320	16,316
75°F	18,378	14,371	19,800	15,226	21,296	15,716
85°F	17,640	14,006	18,900	14,591	20,520	15,329
95°F	16,740	13,375	18,000	14,382	19,692	14,789
105°F	15,840	12,862	17,060	13,614	18,540	14,239
115°F	14,939	12,309	15,839	12,829	16,919	13,248

## Heating Performance

OUTDOOR AMBIENT TEMPERATURE (DB) (80% RH)	INDOOR ENTERING AIR TEMPERATURES (DB)					
	65°F		70°F		75°F	
	TC	SHC	TC	SHC	TC	SHC
5°F	15,608	15,608	14,731	14,731	14,370	14,370
15°F	16,684	16,684	15,221	15,221	15,130	15,130
25°F	17,702	17,702	16,802	16,802	15,846	15,846
35°F	18,691	18,691	17,300	17,300	16,574	16,574
45°F	19,667	19,667	19,000	19,000	17,849	17,849
55°F	19,693	19,693	19,124	19,124	18,287	18,287
65°F	19,600	19,600	19,314	19,314	18,719	18,719

TC- Total Capacity (BtuH) SHC- Sensible Capacity (BtuH)

**Capacity data is based on the following conditions:**

Cooling Nominal Test Conditions  
 Indoor: 80°F DB/67°F WB  
 Outdoor: 95°F DB/75°F WB

Heating Normal Test Conditions  
 Indoor: 70°F DB/60°F WB  
 Outdoor: 47°F DB/43°F W

# +Multi Outdoor Units

## EXTENDED PERFORMANCE RATINGS

**Model No: MULT24HP230V1A**

**24,000 BtuH**

### Cooling Performance

OUTDOOR AMBIENT TEMPERATURE (DB)	INDOOR ENTERING AIR TEMPERATURES (DB) 50% RH					
	62°F		67°F		72°F	
	TC	SHC	TC	SHC	TC	SHC
25°F	31,988	23,751	34,575	25,032	36,959	26,610
35°F	31,260	23,723	33,291	24,302	34,907	25,238
45°F	29,716	22,821	31,777	23,579	34,047	24,684
55°F	28,608	22,142	30,506	22,879	32,703	23,873
65°F	27,633	21,471	30,405	23,077	32,240	23,567
75°F	26,546	20,759	28,600	21,994	30,760	22,701
85°F	25,480	20,231	27,300	21,075	29,640	22,141
95°F	24,180	19,320	26,000	20,774	28,444	21,361
105°F	22,880	18,579	24,643	19,665	26,780	20,567
115°F	21,578	17,780	22,878	18,531	24,438	19,135

### Heating Performance

OUTDOOR AMBIENT TEMPERATURE (DB) (80% RH)	INDOOR ENTERING AIR TEMPERATURES (DB)					
	65°F		70°F		75°F	
	TC	SHC	TC	SHC	TC	SHC
5°F	23,823	23,823	22,484	22,484	21,933	21,933
15°F	25,465	25,465	23,232	23,232	23,092	23,092
25°F	27,019	27,019	25,645	25,645	24,186	24,186
35°F	28,528	28,528	26,405	26,405	25,297	25,297
45°F	30,018	30,018	29,000	29,000	27,243	27,243
55°F	30,058	30,058	29,189	29,189	27,912	27,912
65°F	29,916	29,916	29,479	29,479	28,571	28,571

TC- Total Capacity (BtuH) SHC- Sensible Capacity (BtuH)

**Capacity data is based on the following conditions:**

Cooling Nominal Test Conditions  
 Indoor: 80°F DB/67°F WB  
 Outdoor: 95°F DB/75°F WB

Heating Normal Test Conditions  
 Indoor: 70°F DB/60°F WB  
 Outdoor: 47°F DB/43°F W

# EXTENDED PERFORMANCE RATINGS

**Model No: MULTI30HP230V1A**

**30,000 BtuH**

## Cooling Performance

OUTDOOR AMBIENT TEMPERATURE (DB)	INDOOR ENTERING AIR TEMPERATURES (DB) 50% RH					
	62°F		67°F		72°F	
	TC	SHC	TC	SHC	TC	SHC
25°F	35,679	26,492	38,564	27,920	41,224	29,681
35°F	34,867	26,460	37,132	27,106	38,935	28,150
45°F	33,144	25,454	35,444	26,300	37,976	27,532
55°F	31,909	24,697	34,026	25,519	36,476	26,628
65°F	30,821	23,948	33,913	25,740	35,960	26,287
75°F	29,609	23,154	31,900	24,531	34,310	25,320
85°F	28,420	22,565	30,450	23,507	33,060	24,696
95°F	26,970	21,549	29,000	23,171	31,726	23,826
105°F	25,520	20,722	27,486	21,934	29,870	22,940
115°F	24,068	19,832	25,518	20,669	27,258	21,343

## Heating Performance

OUTDOOR AMBIENT TEMPERATURE (DB) (80% RH)	INDOOR ENTERING AIR TEMPERATURES (DB)					
	65°F		70°F		75°F	
	TC	SHC	TC	SHC	TC	SHC
5°F	24,974	24,974	23,570	23,570	22,992	22,992
15°F	26,694	26,694	24,354	24,354	24,207	24,207
25°F	28,324	28,324	26,883	26,883	25,353	25,353
35°F	29,905	29,905	27,679	27,679	26,518	26,518
45°F	31,467	31,467	30,400	30,400	28,558	28,558
55°F	31,509	31,509	30,598	30,598	29,260	29,260
65°F	31,360	31,360	30,902	30,902	29,950	29,950

TC- Total Capacity (BtuH) SHC- Sensible Capacity (BtuH)

**Capacity data is based on the following conditions:**

Cooling Nominal Test Conditions  
 Indoor: 80°F DB/67°F WB  
 Outdoor: 95°F DB/75°F WB

Heating Normal Test Conditions  
 Indoor: 70°F DB/60°F WB  
 Outdoor: 47°F DB/43°F W

# +Multi Outdoor Units

## EXTENDED PERFORMANCE RATINGS

**Model No: MULTI36HP230V1A**

**36,000 BtuH**

### Cooling Performance

OUTDOOR AMBIENT TEMPERATURE (DB)	INDOOR ENTERING AIR TEMPERATURES (DB) 50% RH					
	TC	62°F SHC	TC	67°F SHC	TC	72°F SHC
25°F	41,830	31,059	45,213	32,734	48,331	34,798
35°F	40,878	31,022	43,534	31,780	45,648	33,004
45°F	38,859	29,843	41,555	30,834	44,523	32,279
55°F	37,410	28,955	39,892	29,919	42,765	31,219
65°F	36,135	28,077	39,760	30,178	42,160	30,819
75°F	34,714	27,146	37,400	28,761	40,225	29,686
85°F	33,320	26,456	35,700	27,560	38,760	28,954
95°F	31,620	25,264	34,000	27,166	37,196	27,934
105°F	29,920	24,295	32,225	25,716	35,020	26,895
115°F	28,220	23,253	29,920	24,235	31,960	25,025

### Heating Performance

OUTDOOR AMBIENT TEMPERATURE (DB) (80% RH)	INDOOR ENTERING AIR TEMPERATURES (DB)					
	TC	65°F SHC	TC	70°F SHC	TC	75°F SHC
5°F	26,628	26,628	25,131	25,131	24,515	24,515
15°F	28,463	28,463	25,967	25,967	25,811	25,811
25°F	30,200	30,200	28,664	28,664	27,033	27,033
35°F	31,886	31,886	29,513	29,513	28,275	28,275
45°F	33,552	33,552	32,414	32,414	30,450	30,450
55°F	33,597	33,597	32,414	32,414	31,198	31,198
65°F	33,438	33,438	32,949	32,949	31,934	31,934

TC- Total Capacity (BtuH) SHC- Sensible Capacity (BtuH)

**Capacity data is based on the following conditions:**

Cooling Nominal Test Conditions  
 Indoor: 80°F DB/67°F WB  
 Outdoor: 95°F DB/75°F WB

Heating Normal Test Conditions  
 Indoor: 70°F DB/60°F WB  
 Outdoor: 47°F DB/43°F W

# EXTENDED PERFORMANCE RATINGS

**Model No: MULTI42HP230V1A**

**42,000 BtuH**

## Cooling Performance

OUTDOOR AMBIENT TEMPERATURE (DB)	INDOOR ENTERING AIR TEMPERATURES (DB) 50% RH					
	62°F		67°F		72°F	
	TC	SHC	TC	SHC	TC	SHC
25°F	49,212	36,540	53,192	38,511	56,860	40,939
35°F	48,092	36,497	51,216	37,388	53,704	38,828
45°F	45,716	35,110	48,888	36,275	52,380	37,976
55°F	44,012	34,065	46,932	35,199	50,312	36,728
65°F	42,512	33,032	46,776	35,503	49,600	36,258
75°F	40,840	31,937	44,000	33,836	47,324	34,925
85°F	39,200	31,125	42,000	32,424	45,600	34,063
95°F	37,200	29,723	40,000	31,960	43,760	32,864
105°F	35,200	28,582	37,912	30,254	41,200	31,642
115°F	33,200	27,357	35,200	28,512	37,600	29,441

## Heating Performance

OUTDOOR AMBIENT TEMPERATURE (DB) (80% RH)	INDOOR ENTERING AIR TEMPERATURES (DB)					
	65°F		70°F		75°F	
	TC	SHC	TC	SHC	TC	SHC
5°F	34,729	34,729	32,776	32,776	31,973	31,973
15°F	37,122	37,122	33,867	33,867	33,664	33,664
25°F	39,388	39,388	37,384	37,384	35,257	35,257
35°F	41,586	41,586	38,491	38,491	36,876	36,876
45°F	43,759	43,759	42,275	42,275	39,713	39,713
55°F	43,818	43,818	42,275	42,275	40,690	40,690
65°F	43,611	43,611	42,973	42,973	41,649	41,649

TC- Total Capacity (BtuH) SHC- Sensible Capacity (BtuH)

**Capacity data is based on the following conditions:**

Cooling Nominal Test Conditions  
 Indoor: 80°F DB/67°F WB  
 Outdoor: 95°F DB/75°F WB

Heating Normal Test Conditions  
 Indoor: 70°F DB/60°F WB  
 Outdoor: 47°F DB/43°F W



# Limited Warranty Statement



## DUCTLESS HEAT PUMP MULTI-SPLIT SYSTEMS

---

Effective on new GREE Ductless purchases on or after March 1, 2013

**MULTI18HP230V1AO**

**MULTI24HP230V1AO**

**MULTI30HP230V1AO**

**MULTI36HP230V1AO**

**MULTI42HP230V1AO**

GREE distributor (hereinafter "Company") warrants this product against failure due to defect in materials or workmanship under normal use and maintenance as follows. All warranty periods begin on the date of original installation. If the date cannot be verified, the warranty period begins one hundred twenty (120) days from date of manufacture. If a part fails due to defect during the applicable warranty period Company will provide a new or remanufactured part, at Company's option, to replace the failed defective part at no charge for the part. This limited warranty is subject to all provisions, conditions, limitations and exclusions listed below.

- A warranty period of Seven (7) years on compressor to the original registered end user.
- A warranty period of Five (5) years on all parts to the original registered end user.
- A warranty period of One (1) year on the remote control provided with the original unit.
- Limited warranty applies only to systems that are properly installed by a state certified or licensed HVAC contractor, under applicable local and state law in accordance with all applicable building codes and permits; GREE installation and operation instructions and good trade practices.
- Warranty applies only to products remaining in their original installation location.
- Defective parts must be returned to the distributor through a registered servicing dealer for credit.

# LIMITATIONS OF WARRANTIES

---

All implied warranties and/or conditions (including implied warranties or conditions of merchantability and fitness for a particular use or purpose) are limited to the duration of this limited warranty, some states or provinces do not allow limitations on how long an implied warranty or condition lasts, so the above may not apply to you. The express warranties made in this warranty are exclusive and may not be altered, enlarged, or changed by any distributor, dealer, or other person, whatsoever.

## **THIS WARRANTY DOES NOT COVER:**

1. Labor or other costs incurred for diagnosing, repairing, removing, installing, shipping, servicing or handling of either defective parts, or replacement parts, or new units.
2. Product cleaning required prior to warranty service and repair.
3. Normal maintenance as outlined in the installation and servicing instructions or Owner's Manual, including filter cleaning and/or replacement and lubrication.
4. Failure, damage or repairs due to faulty installation, misapplication, abuse, improper servicing, unauthorized alteration or improper operation.
5. Failure to start due to voltage conditions, blown fuses, open circuit breakers, or damages due to the inadequacy or interruption of electrical service.
6. Failure or damage due to floods, winds, fires, lightning, accidents, corrosive environments (rust, etc.) or other conditions beyond the control of the Company.
7. Failure or damage of coils or piping due to corrosion on installations within one (1) mile of sea coast or corrosive body.
8. Parts not supplied or designated by Company, or damages resulting from their use.
9. Products installed outside continental USA and Canada.
10. Electricity or fuel costs, or increases in electricity or fuel costs for any reason whatsoever, including additional or unusual use of supplemental electric heat.
11. Any cost to replace, refill or dispose of refrigerant, including the cost of refrigerant.
12. Shipping damage or damage as a result of transporting the unit.
13. Accessories such as condensate pumps, line sets and so forth are not covered.
14. Any special, indirect or consequential property or commercial damage of any nature whatsoever. Some states or provinces do not allow the exclusion of incidental or consequential damages, so the above limitation may not apply to you.

## **FOR WARRANTY SERVICE OR REPAIR:**

Contact your installing contractor. You may find the installer's name on the equipment or in your Owner's packet.

This warranty gives you specific legal rights, and you may also have other rights which vary from state to state or province to province.

WSO021513-DLSWARR-MULTI - Rev. 10-15-14





*Specifications in this booklet are subject to change without notice.  
Manufacturer reserves the right to discontinue or modify specifications or  
designs without notice or without incurring obligations. All rights reserved.*

Cat# +MULTI-OD-1TPG Version: Original  
© 2014 Gree Electric Appliance, Inc.