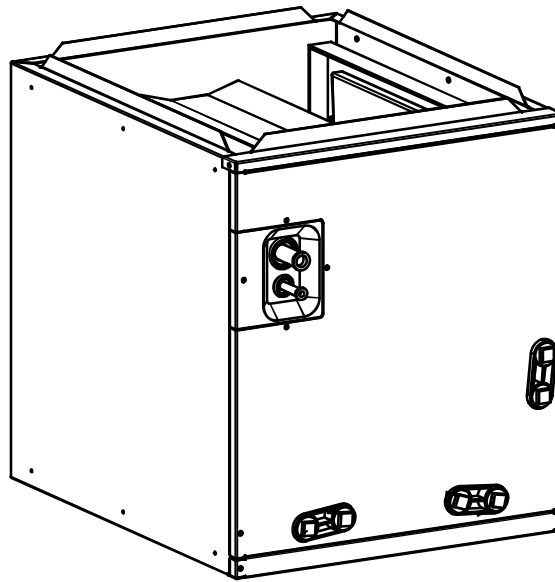


INSTALLATION INSTRUCTIONS

Multi-Position Cased Coils for Cooling / Heat Pumps

FEATURING R-410A OR R-22 REFRIGERANT



RECOGNIZE THIS SYMBOL AS AN INDICATION OF IMPORTANT SAFETY INFORMATION

WARNING

These instructions are intended as an aid to qualified licensed service personnel for proper installation, adjustment and operation of this unit. Read these instructions thoroughly before attempting installation or operation. Failure to follow these instructions may result in improper installation, adjustment, service or maintenance and possibly resulting in fire, electrical shock, property damage, personal injury or death.



DO NOT DESTROY THIS MANUAL

Please read carefully and keep in a safe place for future reference by a serviceman.

TABLE OF CONTENTS

1.0 SAFETY	3
2.0 GENERAL	4
2.1 CODES & REGULATIONS.....	4
2.2 INSPECTION UPON UNIT ARRIVAL.....	4
2.3 CLEARANCES.....	4
2.4 UNIT DIMENSION AND COMPONENT LOCATION.....	5
3.0 INSTALLATION INSTRUCTIONS	6
3.1 REPLACEMENT PARTS.....	6
3.2 PRE-INSTALLATION INSTRUCTIONS.....	6
3.3 INSTALLATION AND TRAP CONNECTION.....	6
4.0 DRAIN APPLICATION	7
4.1 CONDENSATE DRAIN PIPING.....	7
4.2 PLASTIC DRAIN PAN INSTALLATION.....	7
5.0 REFRIGERANT CONNECTIONS	9
5.1 FLOWRATOR PISTON CHANGE.....	9
 LIST OF FIGURES AND TABLES	
Fig.1 CASED DIMENSIONS AND COMPONENT LOCATION.....	5
Fig.2 INSTALLATION AND DRAIN CONNECTIONS.....	6
Fig.3 DRAIN LINE INSTALLATION.....	8
Fig.4 DRAIN PIPE ROUTING.....	8
Fig.5 FLOWRATOR PISTON CHANGE.....	9
Table 1 FLOWRATOR PISTON SIZE CHART.....	10
Table 2. AIRFLOW PERFORMANCE.....	11

1.0 SAFETY

When you see the symbols below on labels or in manual, be alert to the potential or immediate hazards of personal injury, property and/or product damage. It is the owner's or installer's responsibility to comply with all safety instructions and information accompanying these symbols.



WARNING

This is a safety alert symbol indicating a potential hazardous situation, which could result in personal injury, property and/or product damage or death.



CAUTION

This is a safety alert symbol indicating a potential hazardous situation, which could result in moderate personal injury, and/or property and product damage.



WARNING

Disconnect all power to the unit before starting any service and maintenance. Failure to do so could cause severe electrical shock resulting in personal injury or death.



WARNING

Installation or servicing of this unit can be hazardous due to parts, components and system pressure. Qualified and proper trained service personnel should perform installation and repair. Failure to do so could cause severe electrical shock resulting in personal injury or death.

2.0 GENERAL

The unit can be positioned for bottom return air in the upflow position, left and right return in the horizontal position, top return in downflow position.

2.1 CODES & REGULATIONS

This product is designed and manufactured to comply with national codes. Installation in accordance with such codes and/or prevailing local codes/regulations is the responsibility of the installer. The manufacturer assumes no responsibility for equipment installed in violation of any codes or regulations.

The United States Environmental Protection Agency(EPA) has issued various regulations regarding the introduction and disposal of refrigerants. Failure to follow these regulations may harm the environment and can lead to the imposition of substantial fines. Should you have any questions please contact the local office of the EPA.

2.2 INSPECTION UPON UNIT ARRIVAL

As soon as unit is received, it should be inspected and noted for possible shipping damage during transportation. It is carrier's responsibility to cover the cost of shipping damage. Manufacturer or distributor will not accept a claim from contractors for any transportation damage.

2.3 CLEARANCES

Following clearances should be provided during installation

- a.Maintenance and service access, including coil cleaning and coil assembly removal
- b.Refrigerant piping and connections
- c.Condensate drain line

2.4 UNIT DIMENSION AND COMPONENT LOCATION

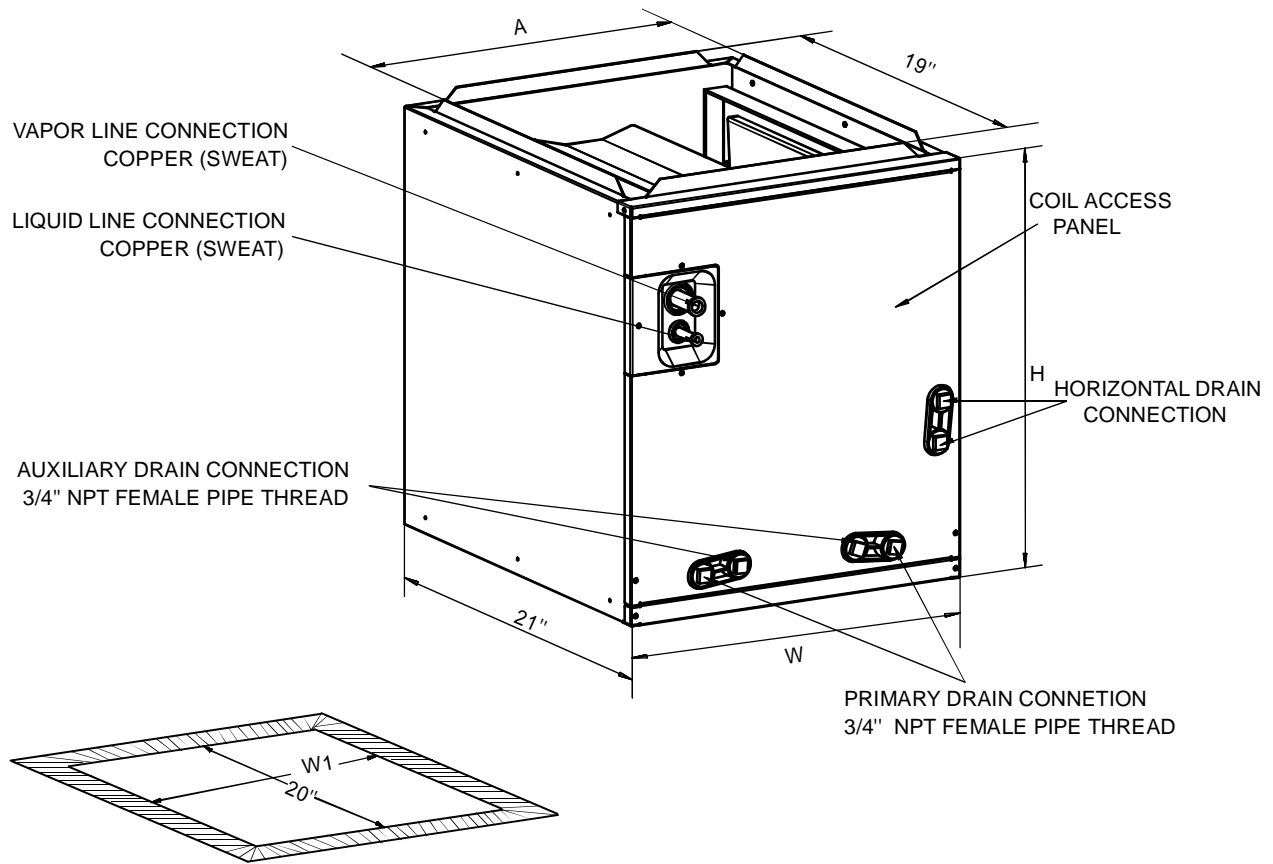


Fig.1 CASED DIMENSIONS AND COMPONENT LOCATION

DIMENSIONAL DATA

MODEL SIZE	Dimensions inch [mm]				UNIT WEIGHT/SHIPPING WEIGHT (LBS.[kg])
	UNIT HEIGHT "H" IN. [mm]	UNIT WIDTH "W" IN. [mm]	SUPPLY DUCT "A"	"W1" IN. [mm]	
M4CXC018AA1CAA	20"[508]	14-1/2"[368]	13"[330]	13-1/2"[343]	44/47 [20.1]/[21.5]
M4CXC019AB1CAA	20"[508]	17-1/2"[445]	16"[407]	16-1/2"[419]	47/50 [21.5]/[23]
M4CXC024AA1CAA	26"[660]	14-1/2"[368]	13"[330]	13-1/2"[343]	57/61 [26]/[27.7]
M4CXC025AB1CAA	20"[508]	17-1/2"[445]	16"[407]	16-1/2"[419]	49/52 [22.2]/[23.8]
M4CXC030AA1CAA	26"[660]	14-1/2"[368]	13"[330]	13-1/2"[343]	57/61 [26]/[27.7]
M4CXC031AB1CAA	20"[508]	17-1/2"[445]	16"[407]	16-1/2"[419]	49/53 [22.4]/[24]
M4CXC032AB1CAA	30"[762]	17-1/2"[445]	16"[407]	16-1/2"[419]	70/75[31.9]/[34]
M4CXC035AB1CAA	30"[762]	17-1/2"[445]	16"[407]	16-1/2"[419]	78/83 [35.6]/[37.8]
M4CXC036AC1CAA	30"[762]	21"[533]	19-1/2"[495]	20"[508]	83/88 [37.8]/[40]
M4CXC042AC1CAA	30"[762]	21"[533]	19-1/2"[495]	20"[508]	72/77 [32.6]/[34.8]
M4CXC048AB1CAA	30"[762]	17-1/2"[445]	16"[407]	16-1/2"[419]	78/83 [35.6]/[37.8]
M4CXC049AC1CAA	30"[762]	21"[533]	19-1/2"[495]	20"[508]	83/88 [37.8]/[40]
M4CXC060AC1CAA	30"[762]	21"[533]	19-1/2"[495]	20"[508]	83/88 [37.9]/[40]
M4CXC061AD1CAA	30"[762]	24-1/2"[622]	23"[584]	23-1/2"[597]	87/92 [39.4]/[41.8]

3.0 INSTALLATION INSTRUCTIONS

3.1 PARTS

Contact your distributor for authorized replacement parts.

3.2 PRE-INSTALLATION INSTRUCTIONS

Carefully read all instructions for installation prior to installing product. Make sure each step or procedure is understood and any special considerations are taken into account before starting installation. Assemble all tools, hardware and supplies needed to complete the installation. Some items may need to be purchased locally. Make sure everything needed to install the product is on hand before starting.

3.3 INSTALLATION AND TRAP CONNECTION

See Fig .2 for coil installation and drain connection for vertical and horizontal applications.

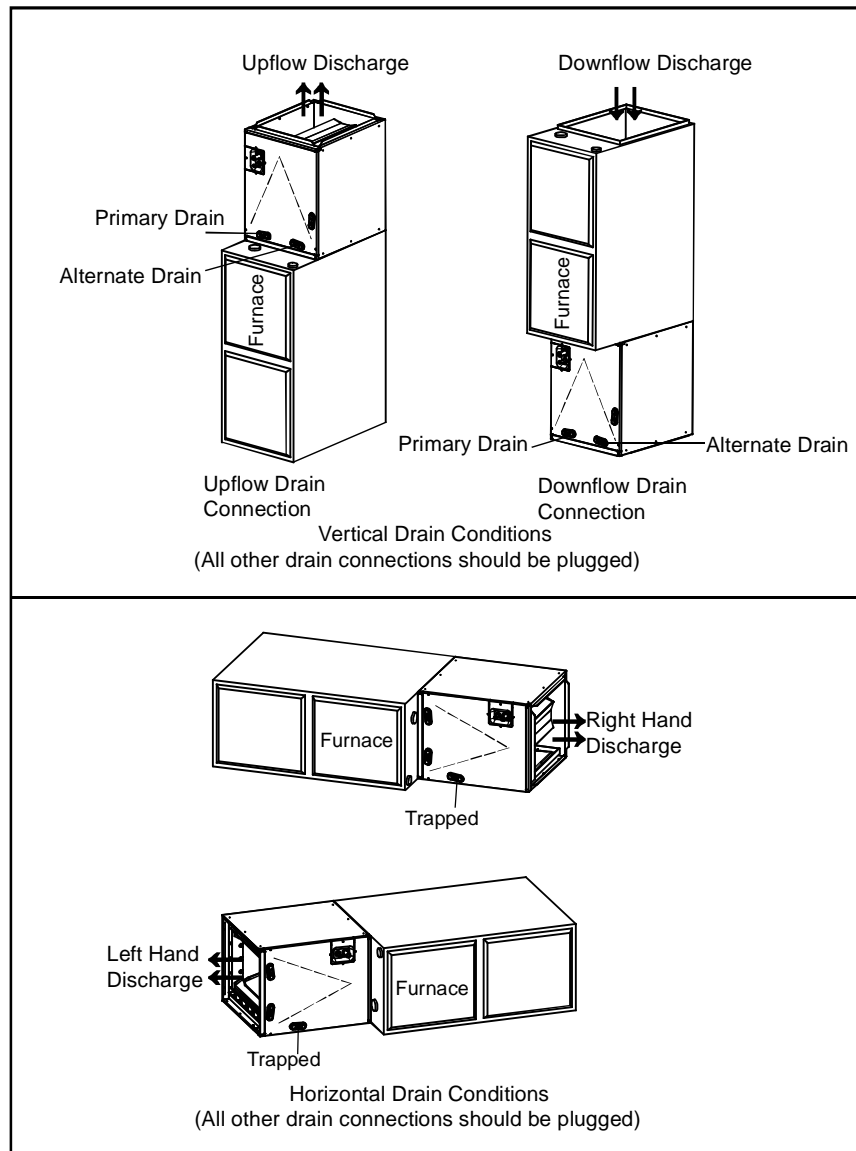


Fig.2 INSTALLATION AND DRAIN CONNECTIONS

4.0 DRAIN APPLICATION

4.1 CONDENSATE DRAIN PIPING

Consult local codes for special requirements.

To provide extra protection from water damage, install an additional drain pan, provided by installer under the entire unit with a separate drain line. Manufacturer will not be responsible for any damages due to the failure to follow these requirements.

4.2 PLASTIC DRAIN PAN INSTALLATION



WARNING

Do not use the coil pan shipped with the unit on OIL furnaces or any application where the temperature of the drain pan may exceed 275°F. A field fabricated metal drain pan can also be used for these type of applications. Failure to follow this warning may result in property damage and/or personal injury.

The coil drain pan has a primary and an optional secondary drain with 3/4" NPT female connections; use either PVC or metal pipe and hand tighten to a torque of approximately 37 in-lbs. to prevent damage to the drain pan connection. An insertion depth between .355 to .485 inches (3-5 turns) should be expected at this torque setting.

Use male 3/4" NPT threaded fitting for outside connection and make sure the drain holes are not blocked.

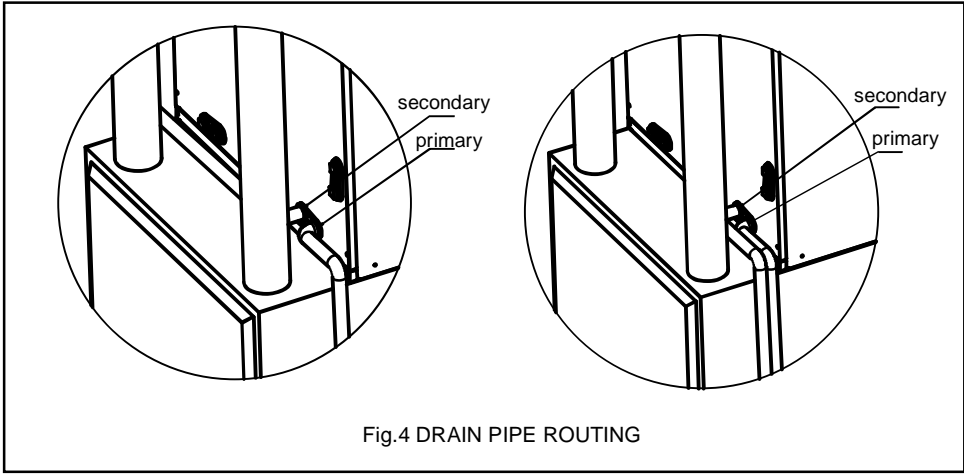
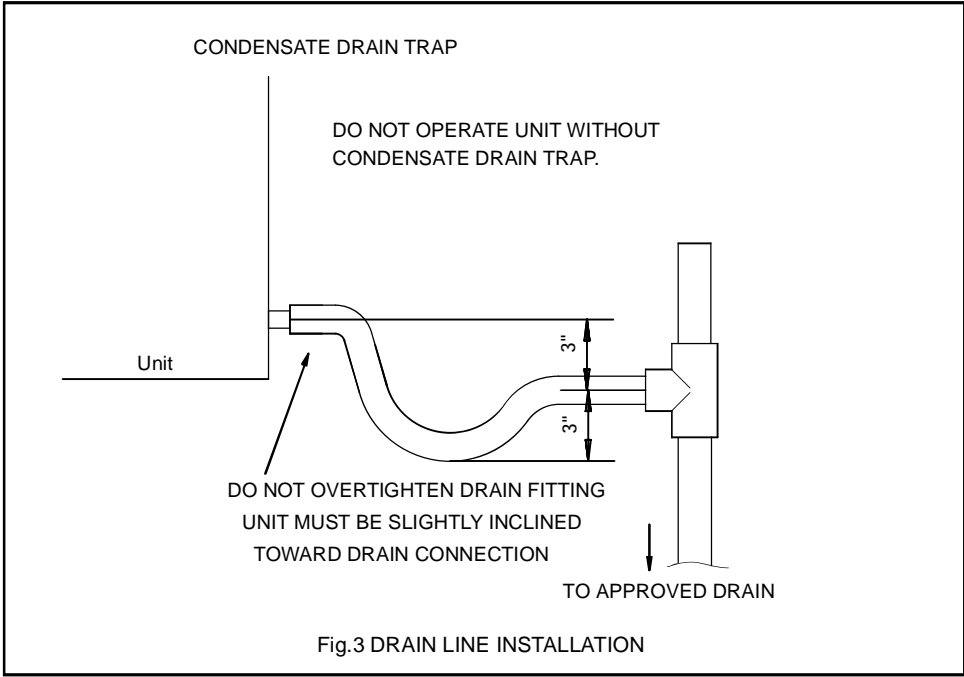
Insulation may be needed for drain line to prevent sweating.

Drain pan has two drain connections on each side to provide flexibility of connection and drainage. Make sure pan has proper pitch and plugged if second connection is not used.

If the secondary drain line is required, run the line separately from the primary drain and end it where it can be easily seen.

NOTE: Water coming from this line means the coil primary drain is plugged and needs clearing.

Install a trap in the drain line below the bottom of the drain pan. If using a copper drain line, solder a short piece of pipe to the connector before installing a drain fitting. DO NOT over torque the 3/4" copper connector to the plastic drain connection. Use a wet rag or heatsink material on the short piece to protect plastic drain pan, complete the drain line installation (Fig.3). Use (Fig.4) as a template for typical drain pipe routing. This figure shows how to avoid interference with vent piping.



5.0 REFRIGERANT CONNECTIONS

To prevent refrigerant leak, use proper tools to ensure clean, burr-free cut.

Use brazing shield when welding close to the cabinet surface and wet rag to protect rubber grommet.

Brazing alloy should be at least 5% silver content.

5.1 FLOWRATOR PISTON CHANGE

In most applications, there is no need to change the piston (orifice). However, in some mix-matched applications, change of piston size is required. If the application needs to change the piston, change the piston in the distributor of indoor coil before installing the coil. See Table 1 for orifice size.

To change the piston, use following steps:

- 1.Remove cover panel.
- 2.Use Two wrenches.
Loosen one turn to release pressure. (High pressure gas)
- 3.After releasing pressure.
Loosen and carefully pull two fittings to expose piston.
- 4.Remove and replace piston shown in Fig.5.
- 5.Carefully reassemble assembly. (Hand tighten)
Be sure to use teflon tape on thread for a complete seal.
- 6.Hand tighten and make sure assembly is properly connected and then torque to 10-30 ft/lb.

NOTE: Be careful not to bend tubing

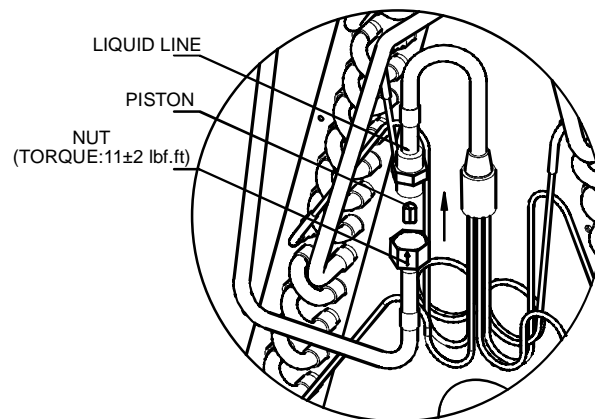


Fig.5 FLOWRATOR PISTON CHANGE

Table 1 FLOWRATOR PISTON SIZE CHART

Condensing Unit	A-Coil	If Piston Replace Required	Optional Replace Piston/TXV With	SEER	Preinstalled Piston
M 4AC 3018A 1000A	M 4C XC 018AA 1C AA	NO	MAYTXVACAC1818AA	13	050
	M 4C XC 019AB 1C AA	NO	MAYTXVACAC1818AA	13	050
M 4AC 3024A 1000A	M 4C XC 024AA 1C AA	NO	MAYTXVACHP1830AA	13	062
	M 4C XC 025AB 1C AA	NO	MAYTXVACHP1830AA	13	056
M 4AC 3030A 1000A	M 4C XC 030AA 1C AA	NO	MAYTXVACHP1830AA	13	062
	M 4C XC 031AB 1C AA	NO	MAYTXVACHP1830AA	13	059
M 4AC 3036A 1000A	M 4C XC 035AB 1C AA	NO	MAYTXVACHP3642AA	13	080
	M 4C XC 036AC 1C AA	NO	MAYTXVACHP3642AA	13	085
M 4AC 3042A 1000A	M 4C XC 048AB 1C AA	075	MAYTXVACHP3642AA	13	098
	M 4C XC 042AC 1C AA	NO	MAYTXVACHP3642AA	13	070
M 4AC 3048A 1000A	M 4C XC 048AB 1C AA	NO	MAYTXVACHP4848AA	13	098
	M 4C XC 049AC 1C AA	NO	MAYTXVACHP4848AA	13	098
	M 4C XC 061AD 1C AA	100	MAYTXVACHP4848AA	13	111
M 4AC 3060A 1000A	M 4C XC 060AC 1C AA	NO	MAYTXVACHP6060AA	13	111
	M 4C XC 061AD 1C AA	NO	MAYTXVACHP6060AA	13	111
SEER 14					
Condensing Unit	A-Coil	Replace Preinstalled Piston/TXV With	Optional Replace Piston/TXV With	SEER	Preinstalled Piston
M 4AC 4018A 1000A	M 4C XC 024AA 1C AA	MAYTXVACAC1818AA	054	14	062
M 4AC 4024A 1000A	M 4C XC 035AB 1C AA	MAYTXVACHP1830AA	061	14	080
M 4AC 4030A 1000A	M 4C XC 032AB 1C AA	MAYTXVACHP1830AA	061	14	061
	M 4C XC 035AB 1C AA	MAYTXVACHP1830AA	080	14	080
	M 4C XC 042AC 1C AA	MAYTXVACHP1830AA	065	14	070
M 4AC 4036A 1000A	M 4C XC 035AB 1C AA	MAYTXVACHP3642AA	090	14	080
	M 4C XC 049AC 1C AA	MAYTXVACHP3642AA	075	14	098
M 4AC 4042A 1000A	M 4C XC 049AC 1C AA	MAYTXVACHP3642AA	088	14	098
M 4AC 4048A 1000A	M 4C XC 049AC 1C AA	MAYTXVACHP4848AA	088	14	098
	M 4C XC 061AD 1C AA	MAYTXVACHP4848AA	088	14	111
M 4AC 4060A 1000A	M 4C XC 061AD 1C AA	MAYTXVACHP6060AA	098	14	111

Table 2. AIRFLOW PERFORMANCE

PRESSURE DROP CHARACTERISTICS FOR COOLING AND HEAT PUMP COILS								
PRESSURE DROP (INCHES OF WATER)								
MODEL	0.05	0.1	0.15	0.2	0.25	0.3	0.35	0.4
M4CXC018AA1CAA	349	518	659	768	875	967	1058	1135
M4CXC019AB1CAA	374	547	715	835	954	1052	1146	1234
M4CXC024AA1CAA	366	545	696	805	916	1011	1100	1181
M4CXC025AB1CAA	392	597	764	896	1025	1133	1242	1331
M4CXC030AA1CAA	356	545	696	805	916	1011	1100	1181
M4CXC031AB1CAA	392	597	764	896	1025	1133	1242	1331
M4CXC032AB1CAA	482	722	886	1025	1164	1284	1393	1496
M4CXC035AB1CAA	362	556	690	810	931	1034	1131	1226
M4CXC036AC1CAA	495	751	962	1130	1297	1432	1564	1681
M4CXC042AC1CAA	569	853	1075	1264	1442	1587	1734	1852
M4CXC048AB1CAA	362	556	690	810	931	1034	1131	1226
M4CXC049AC1CAA	495	751	962	1130	1297	1432	1564	1681
M4CXC060AC1CAA	495	751	962	1130	1297	1432	1564	1681
M4CXC061AD1CAA	526	838	1097	1305	1499	1663	1814	1952

此页不出菲林 仅作为电子文档说明

1. 大A4规格、材料为双胶纸100g
印刷颜色为黑色

