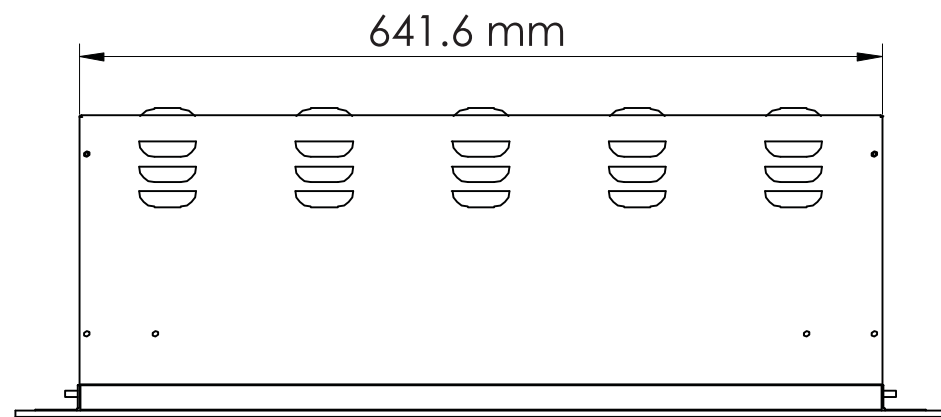
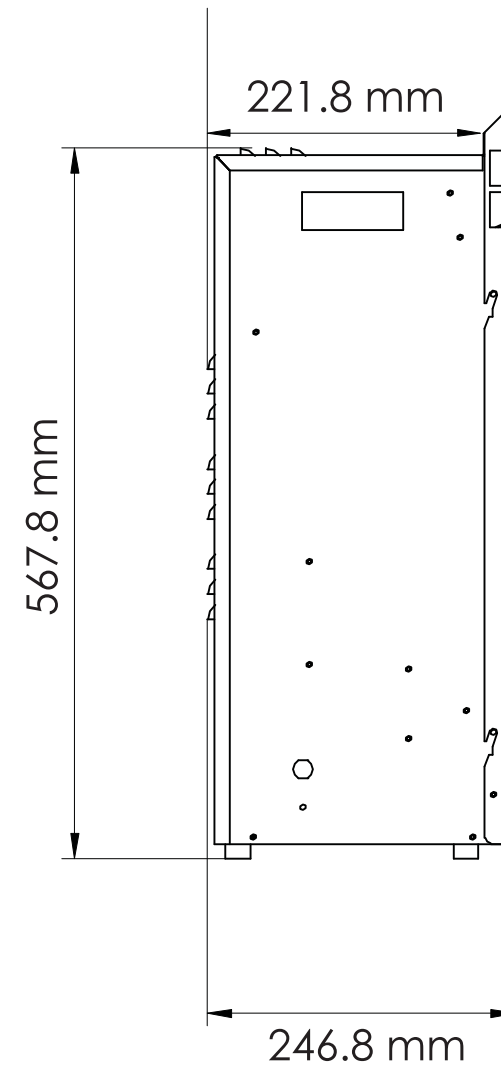
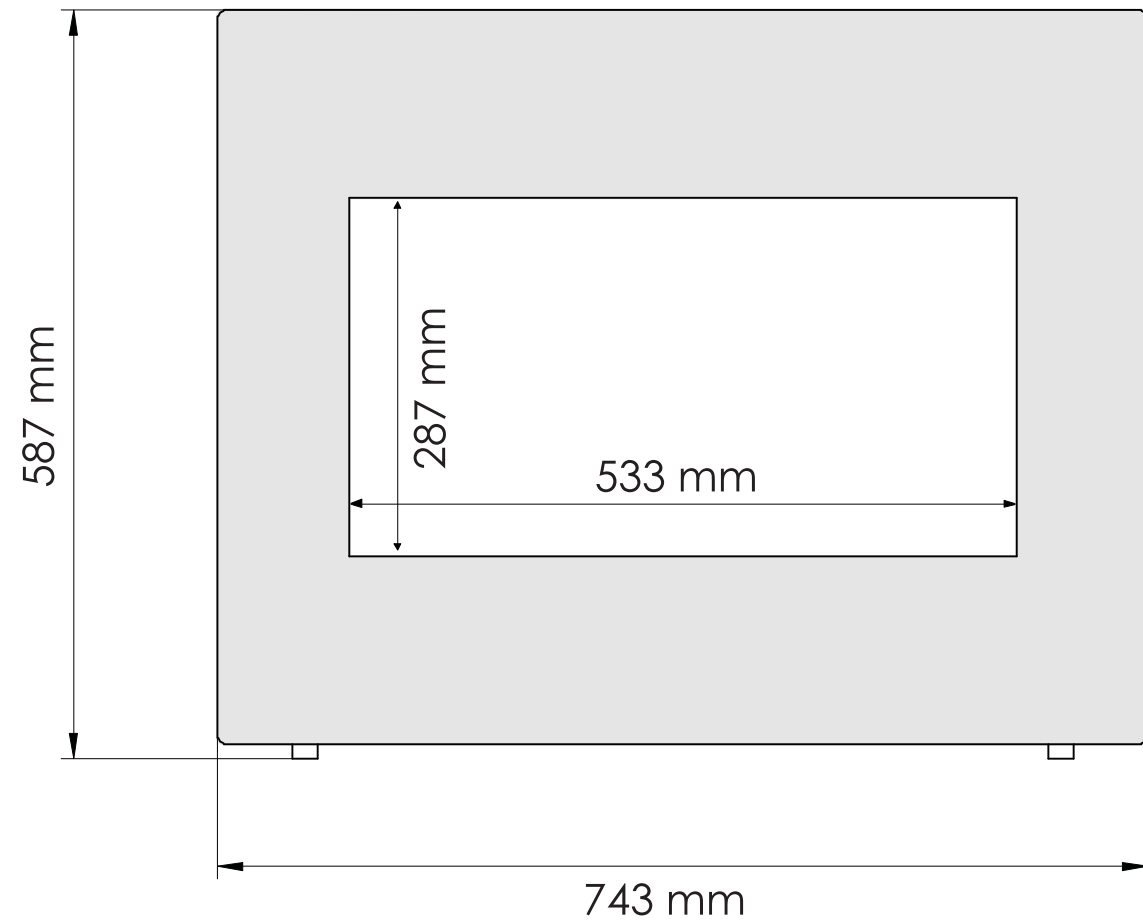


| TECHNICAL SPECIFICATIONS |                                               |
|--------------------------|-----------------------------------------------|
| VOLTS                    | 120                                           |
| AMPS                     | 12.5                                          |
| WATTS                    | 1500                                          |
| HEATER                   | HIGH 1500 watts<br>LOW 750 watts              |
| NO HEATER                | 22 watts                                      |
| LAMPS                    | QUANTITY LED<br>WATTS<br>TOTAL WATTS 22 watts |
| ROTOR MOTOR              | 1 at 5 watts                                  |
| HEIGHT, WIDTH, DEPTH     | 22 1/2 x 25 1/2 x 8 1/2                       |
| GLASS VIEWING OPENING    | 21 x 11 3/8                                   |
| GLASS SIZE               | 29 1/4 x 23                                   |
| SHIPPING SIZE            | 25 1/4 x 32 3/4 x 12 1/4                      |
| SHIPPING WEIGHT          | 55 lbs                                        |
| GLASS FRONT              | UNIT<br>Included                              |
| PLUG LOCATION            | Left Side                                     |
| CORD LENGTH              | 76"                                           |
| APPROX. HEATING AREA     | 400 sq ft                                     |




|                          |                       |              |
|--------------------------|-----------------------|--------------|
| SERIES<br>ZERO CLEARANCE | MODEL<br>ZECL-26-2923 | REV<br>1     |
| SCALE 1" = 1'-0"         | DATE: 10/1/12         | SHEET 1 OF 1 |



| TECHNICAL SPECIFICATIONS |             |                       |
|--------------------------|-------------|-----------------------|
| VOLTS                    |             | 120                   |
| AMPS                     |             | 12.5                  |
| WATTS                    |             | 1500                  |
| HEATER                   | HIGH        | 1500 watts            |
|                          | LOW         | 750 watts             |
| NO HEATER                |             | 22 watts              |
| LAMPS                    | QUANTITY    | LED                   |
|                          | WATTS       |                       |
|                          | TOTAL WATTS | 22 watts              |
| ROTOR MOTOR              |             | 1 at 5 watts          |
| HEIGHT, WIDTH, DEPTH     |             | 56.8 x 64.2 x 22.2 cm |
| GLASS VIEWING OPENING    |             | 53.3 x 28.7 cm        |
| GLASS SIZE               |             | 74.3 x 58.7 cm        |
| SHIPPING SIZE            |             | 64.1 x 83 x 31 cm     |
| SHIPPING WEIGHT          |             | 25 kg                 |
|                          | UNIT        |                       |
| GLASS FRONT              |             | Included              |
| PLUG LOCATION            |             | Left Side             |
| CORD LENGTH              |             | 193 cm                |
| APPROX. HEATING AREA     |             | 37 sqm                |

*Amantii*

|                          |                       |                                                                                       |          |
|--------------------------|-----------------------|---------------------------------------------------------------------------------------|----------|
| SERIES<br>ZERO CLEARANCE | MODEL<br>ZECL-26-2923 |  | REV<br>1 |
| SCALE 1:12               | DATE: 10/1/12         | SHEET 1 OF 1                                                                          |          |