

CONDENSING UNITS

Rheem
Classic[®]
S E R I E S

RANL- *AZ R-410A

13 SEER Models
Nominal Sizes 1 1/2 to 5 Tons
[5.28 kW] to [17.6 kW]

Seven Models

Cooling Capacities
18,300 to 62,000 BTU/HR
[5.36 kW] to [18.17 kW]

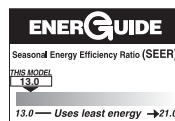


The Rheem *Classic*[®] Series High Efficiency RANL- Condensing Units were designed with performance in mind. These units offer comfort, energy conservation and dependability for single, multi-family and light commercial applications.

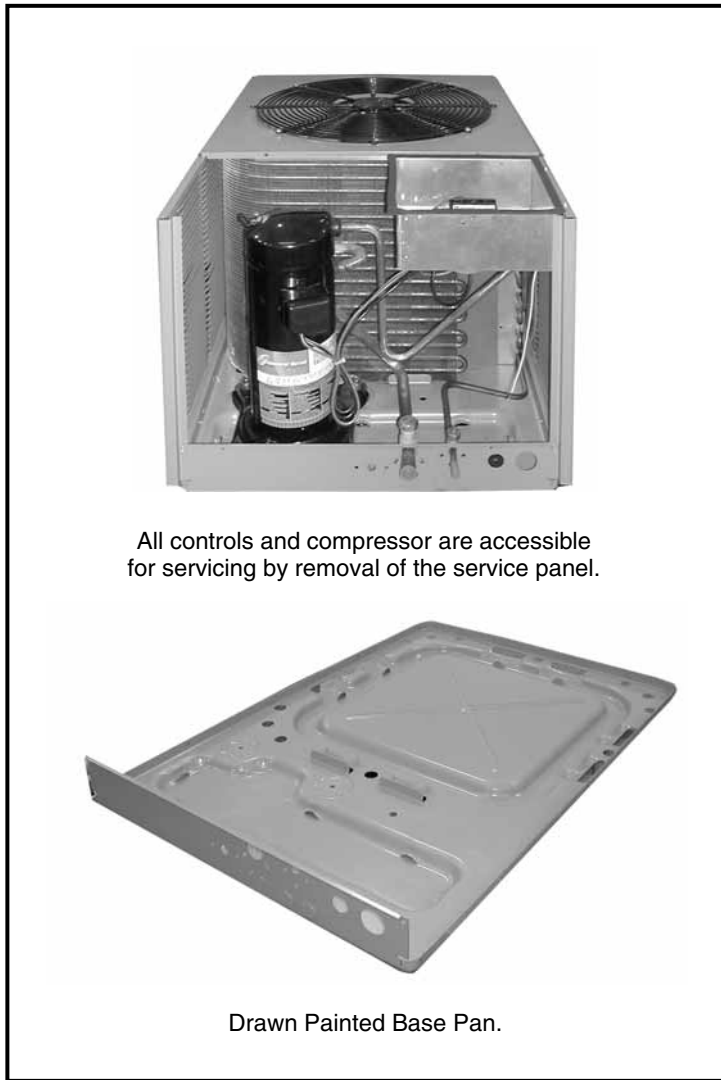
These units also contain the most advanced alternate refrigerant which contains no chlorofluorocarbons (CFCs), or hydrochlorofluorocarbons (HCFCs), or other compounds that may leak from air-conditioning systems and potentially harm the protective ozone layer of the Earth's atmosphere.

The Rheem *Classic*[®] Series RANL- Condensing Units are the result of an ongoing development program for improved efficiencies. These units are flexible enough to achieve up to 15.00 SEER in specific match-ups, continuing a tradition of high efficiency.

- Attractive, louvered wrap-around jacket protects the coil from yard hazards and weather extremes. Top grille is steel reinforced for extra strength. Cabinet is powder painted for all-weather protection.
- Air is discharged upward away from bushes and shrubs. The discharge pattern of the top grille provides minimum air restriction.
- Combination Grille/Motor Mount secures the motor to the underside of the discharge grille. The grille protects the motor windings and bearings from rain and snow.
- All controls are accessible by removing one service panel. Removable top grille provides access to the condenser fan motor and condenser coil.
- Single speed 8-pole fan motor designed for low speed, quiet, energy-saving operation.
- All models meet or exceed a 1000-hour salt spray test per ASTM B117 Standard Practice for Operating Salt Spray Testing Apparatus.



"Proper sizing and installation of equipment is critical to achieve optimal performance. Split system air conditioners and heat pumps must be matched with appropriate coil components to meet ENERGY STAR criteria. Ask your Contractor for details or visit www.energystar.gov."



All controls and compressor are accessible for servicing by removal of the service panel.

Drawn Painted Base Pan.

Engineering Features

RANL- Series Condensing Units

1. This unit contains a special scroll compressor that is designed specifically to operate with R-410A refrigerants and polyolester (POE) oils. The compressor is hermetically sealed and incorporates internal high temperature motor overload protection and durable insulation on the motor windings. It is externally mounted on rubber grommets to reduce vibration and noise.
2. Compressors have an internal pressure relief assembly to protect against excessive pressure differential.
3. All refrigerant connections are on the exterior of the unit, located close to the ground for neat appearing installations.
4. Cabinet is constructed of powder painted galvanized steel. The full wraparound louvered grille protects the coil from damage.
5. Copper tube—aluminum fin coils are used on all models.
6. The control box is located in the top corner of the cabinet providing for easy access through a service panel.
7. Service valves are standard on all models.
8. Power and control wiring are kept separate.
9. Every unit is factory charged and tested.
10. Separate compressor compartment for easy service access.
11. Drawn, painted base pan for extra corrosion resistance and sound reduction.
12. Automatic reset high and low pressure controls are standard on all models.
13. A liquid line filter drier is standard on all models (shipped – not installed).

Model Number Identification

<u>R</u>	<u>A</u>	<u>N</u>	<u>L</u>	—	<u>018</u>	<u>J</u>	<u>A</u>	<u>Z</u>
RHEEM	REMOTE CONDENSING UNIT	N = 13 SEER	DESIGN SERIES L = R-410A		COOLING CAPACITY	ELECTRICAL DESIGNATION	VARIATIONS A-SERIES = FULL-FEATURED	COOLING CONNECTION FITTING Z = SWEAT W/SCROLL
					018 = 18,000 BTU/HR [5.28 kW]	J = 208/230V-1-60		
					024 = 24,000 BTU/HR [7.03 kW]	C = 208/230V-3-60		
					031 = 30,000 BTU/HR [8.79 kW]	D = 460V-3-60		
					037 = 36,000 BTU/HR [10.55 kW]	(RANL MODELS ONLY)		
					043 = 42,000 BTU/HR [12.31 kW]	Y = 575V-3-60		
					048/049 = 48,000 BTU/HR [14.07 kW]			
					060 = 60,000 BTU/HR [17.58 kW]			

[] Designates Metric Conversions

Field Installed Accessories

- **Compressor Time Delay Control**—Compressor will remain off for five minutes after power or thermostat interruption, allowing system pressures to equalize. (Model No. RXMD-B01)
- **Thermostats**—



100-Series *
Non-Programmable



200-Series *
Programmable



300-Series *
Deluxe
Programmable



500-Series *
Communicating/
Programmable

400-Series *
Special Applications/
Programmable

Brand	Unique Model Number Prefix	Descriptor (3 Characters)	Series (3 Characters)	System (2 Characters)	Type (2 Characters)
RHC	-	TST	101	GE	MS
RHC=Rheem		TST=Thermostat	100=Non-Programmable 200=Programmable 300=Deluxe Programmable 400=Special Applications/ Programmable 500=Communicating/ Programmable	GE=Gas/Oil/Electric HP=Heat Pump MD=Modulating Furnace DF=Dual Fuel UN=Universal AC/HP/GE CM=Communicating	SS=Single-Stage MS=Multi-Stage

* Photos are representative. Actual models may vary.

For detailed thermostat match-up information, see specification sheet form number T11-001.

- **Low Ambient Control**—Cycles outdoor fan to maintain adequate condensing pressures assuring liquid refrigerant flow to the coil. Allows indoor cooling with outdoor temperatures down to 0°F [-17.8°C]. It is recommended that this control be installed in units to be operated at outdoor ambient temperatures under 65°F (18°C). (Model No. RXAD-A08)
- **Hard Start Components**—(Available through PROSTOCK®)
- **Compressor Crankcase Heater (CCH)**—While scroll compressors usually do not require crankcase heaters, there are instances when a heater should be added. Refrigerant migration during the off cycle can result in a noisy start up. Add a crankcase heater to minimize refrigeration migration, and to help eliminate any start up noise or bearing “wash out”. (Available through PROSTOCK®)

SCROLL® COMPRESSOR

The scroll compressor is the key to efficiency for this Rheem model. It's the latest in high-efficiency compressor technology. The advanced scroll compressor offers low noise and vibration characteristics and features tolerance to liquid refrigerant and system contamination. The scroll compressor also has low start torque, reducing start problems in the field. And its unique design enables the RANL- condensing units to perform efficiently, quietly and dependably. RANL- *AZ has a 10-year compressor warranty.



Performance Data @ AHRI Standard Conditions—Cooling: RANL-

Model Numbers		80°F [26.5°C] DB/67°F [19.5°C] WB Indoor Air 95°F [35°C] DB Outdoor Air					Sound Rating dB	Indoor CFM [L/s]
Outdoor Unit RANL-	Indoor Coil and/or Air Handler	Total Capacity BTU/H [kW]	Net Sensible BTU/H [kW]	Net Latent BTU/H [kW]	EER	SEER		
Rev. 7/1/10	RCFL-A*2414	18,400 [5.4]	13,200 [3.9]	5,200 [1.5]	11.30	13.25	74	600 [283]
	RCFL-A*2417	18,400 [5.4]	13,200 [3.9]	5,200 [1.5]	11.30	13.25	74	600 [283]
018JAZ	RCFL-A*2417 (RGFD-06?MCK?)	18,800 [5.5]	13,500 [4.0]	5,300 [1.6]	12.50	14.00	74	600 [283]
	RCFL-A*2417 (RGFD-07?MCK?)	18,800 [5.5]	13,500 [4.0]	5,300 [1.6]	12.50	14.00	74	600 [283]
	RCFL-A*2417 (RGFE-06?MCK?)	18,800 [5.5]	13,500 [4.0]	5,300 [1.6]	12.50	14.50	74	575 [271]
	RCFL-A*2417 (RGFE-07?MCK?)	18,800 [5.5]	13,500 [4.0]	5,300 [1.6]	12.50	14.50	74	600 [283]
	RCFL-A*2417 (RGGD-06?MCK?)	18,900 [5.5]	13,550 [4.0]	5,350 [1.6]	12.65	14.50	74	600 [283]
	RCFL-A*2417 (RGGD-07?MCK?)	18,900 [5.5]	13,550 [4.0]	5,350 [1.6]	12.55	14.00	74	625 [295]
	RCFL-A*2417 (RGGE-06?MCK?)	18,800 [5.5]	13,500 [4.0]	5,300 [1.6]	12.55	14.50	74	625 [295]
	RCFL-A*2417 (RGGE-07?MCK?)	18,800 [5.5]	13,500 [4.0]	5,300 [1.6]	12.60	14.50	74	575 [271]
	RCFL-A*2417 (RGJF-06?MCK?)	18,800 [5.5]	13,500 [4.0]	5,300 [1.6]	12.55	14.50	74	625 [295]
	RCFL-A*2417 (RGLE-07?AMK?)	18,800 [5.5]	13,500 [4.0]	5,300 [1.6]	12.65	14.50	74	600 [283]
	RCFL-A*2417 (RGLR-07?AMK?)	18,900 [5.5]	13,550 [4.0]	5,350 [1.6]	12.70	14.50	74	600 [283]
	RCFL-A*2417 (RGLT-07?AME?)	19,300 [5.7]	14,100 [4.1]	5,200 [1.5]	12.00	14.50	74	675 [319]
	RCFL-A*2417 (RGPR-05?BMK?)	18,800 [5.5]	13,500 [4.0]	5,300 [1.6]	12.40	14.00	74	600 [283]
	RCFL-A*2417 (RGPR-07?AMK?)	18,900 [5.5]	13,550 [4.0]	5,350 [1.6]	12.65	14.50	74	600 [283]
	RCFL-A*2417 (RGPT-05?BMK?)	19,100 [5.6]	13,850 [4.1]	5,250 [1.5]	12.00	14.50	74	650 [307]
	RCFL-A*2417 (RGPT-07?AME?)	18,900 [5.5]	13,550 [4.0]	5,350 [1.6]	12.00	14.50	74	625 [295]
	RCFL-A*2417 (RGRM-04?MAE?)	18,800 [5.5]	13,500 [4.0]	5,300 [1.6]	12.50	14.50	74	575 [271]
	RCFL-A*2417 (RGRM-06?MAE?)	18,900 [5.5]	13,550 [4.0]	5,350 [1.6]	12.55	14.50	74	600 [283]
	RCFL-A*2417 (RGRM-07?MAE?)	18,800 [5.5]	13,500 [4.0]	5,300 [1.6]	12.25	14.00	74	625 [295]
	RCFL-A*2417 (RGTM-06?MAE?)	18,700 [5.5]	13,400 [3.9]	5,300 [1.6]	12.40	14.50	74	625 [295]
	ROCA-070E03 (RCFL-A*2417)	18,900 [5.5]	13,550 [4.0]	5,350 [1.6]	12.00	14.50	74	600 [283]
	ROLA-070E03 (RCFL-A*2417)	18,800 [5.5]	13,500 [4.0]	5,300 [1.6]	12.00	14.50	74	600 [283]
	RCFL-H*2414	18,400 [5.4]	13,200 [3.9]	5,200 [1.5]	11.30	13.25	74	600 [283]
	RCFL-H*2417	18,400 [5.4]	13,200 [3.9]	5,200 [1.5]	11.20	13.00	74	600 [283]
	RCFL-H*2417 (RGFD-06?MCK?)	18,800 [5.5]	13,500 [4.0]	5,300 [1.6]	12.50	14.00	74	600 [283]
	RCFL-H*2417 (RGFD-07?MCK?)	18,800 [5.5]	13,500 [4.0]	5,300 [1.6]	12.50	14.00	74	600 [283]
	RCFL-H*2417 (RGFE-06?MCK?)	18,800 [5.5]	13,500 [4.0]	5,300 [1.6]	12.50	14.50	74	575 [271]
	RCFL-H*2417 (RGFE-07?MCK?)	18,800 [5.5]	13,500 [4.0]	5,300 [1.6]	12.50	14.50	74	600 [283]
	RCFL-H*2417 (RGGD-06?MCK?)	18,900 [5.5]	13,550 [4.0]	5,350 [1.6]	12.65	14.50	74	600 [283]
	RCFL-H*2417 (RGGD-07?MCK?)	18,900 [5.5]	13,550 [4.0]	5,350 [1.6]	12.55	14.00	74	625 [295]
	RCFL-H*2417 (RGGE-06?MCK?)	18,800 [5.5]	13,500 [4.0]	5,300 [1.6]	12.55	14.50	74	625 [295]
	RCFL-H*2417 (RGGE-07?MCK?)	18,800 [5.5]	13,500 [4.0]	5,300 [1.6]	12.60	14.50	74	575 [271]
	RCFL-H*2417 (RGJD-06?MCK?)	18,900 [5.5]	13,550 [4.0]	5,350 [1.6]	12.65	14.50	74	600 [283]
	RCFL-H*2417 (RGJD-07?MCK?)	18,900 [5.5]	13,550 [4.0]	5,350 [1.6]	12.55	14.00	74	625 [295]
RCFL-H*2417 (RGJF-06?MCK?)	18,800 [5.5]	13,500 [4.0]	5,300 [1.6]	12.55	14.50	74	625 [295]	
RCFL-H*2417 (RGJF-07?MCK?)	18,800 [5.5]	13,500 [4.0]	5,300 [1.6]	12.60	14.50	74	575 [271]	
RCFL-H*2417 (RGLE-07?AMK?)	18,800 [5.5]	13,500 [4.0]	5,300 [1.6]	12.65	14.50	74	600 [283]	
RCFL-H*2417 (RGLR-07?AMK?)	18,900 [5.5]	13,550 [4.0]	5,350 [1.6]	12.70	14.50	74	600 [283]	
RCFL-H*2417 (RGLT-07?AME?)	19,300 [5.7]	14,100 [4.1]	5,200 [1.5]	12.00	14.50	74	675 [319]	
RCFL-H*2417 (RGPR-05?BMK?)	18,800 [5.5]	13,500 [4.0]	5,300 [1.6]	12.40	14.00	74	600 [283]	
RCFL-H*2417 (RGPR-07?AMK?)	18,900 [5.5]	13,550 [4.0]	5,350 [1.6]	12.65	14.50	74	600 [283]	
RCFL-H*2417 (RGPT-05?BMK?)	19,100 [5.6]	13,850 [4.1]	5,250 [1.5]	12.00	14.50	74	650 [307]	
RCFL-H*2417 (RGPT-07?AME?)	18,900 [5.5]	13,550 [4.0]	5,350 [1.6]	12.00	14.50	74	625 [295]	
RCFL-H*2417 (RGRM-04?MAE?)	18,800 [5.5]	13,500 [4.0]	5,300 [1.6]	12.50	14.50	74	575 [271]	
RCFL-H*2417 (RGRM-06?MAE?)	18,900 [5.5]	13,550 [4.0]	5,350 [1.6]	12.55	14.50	74	600 [283]	
RCFL-H*2417 (RGRM-07?MAE?)	18,800 [5.5]	13,500 [4.0]	5,300 [1.6]	12.25	14.00	74	625 [295]	
RCFL-H*2417 (RGTM-06?MAE?)	18,700 [5.5]	13,400 [3.9]	5,300 [1.6]	12.40	14.50	74	625 [295]	
ROCA-070E03 (RCFL-H*2417)	18,900 [5.5]	13,550 [4.0]	5,350 [1.6]	12.00	14.50	74	600 [283]	
ROLA-070E03 (RCFL-H*2417)	18,800 [5.5]	13,500 [4.0]	5,300 [1.6]	12.00	14.50	74	600 [283]	
RBHP-17 (RCHL-24A2)	18,200 [5.3]	12,650 [3.7]	5,550 [1.6]	12.15	14.00	74	600 [283]	
RCQD-2417 (RGFE-06?MCK?)	19,200 [5.6]	14,050 [4.1]	5,150 [1.5]	12.60	14.50	74	575 [271]	

① Highest sales volume tested combination required by D.O.E. test procedures.

[] Designates Metric Conversions

Performance Data @ AHRI Standard Conditions—Cooling: RANL- (continued)

Model Numbers		80°F [26.5°C] DB/67°F [19.5°C] WB Indoor Air 95°F [35°C] DB Outdoor Air					Sound Rating dB	Indoor CFM [L/s]
Outdoor Unit RANL-	Indoor Coil and/or Air Handler	Total Capacity BTU/H [kW]	Net Sensible BTU/H [kW]	Net Latent BTU/H [kW]	EER	SEER		
Rev. 7/1/10	RCQD-2417 (RGFE-07?MCK?)	19,200 [5.6]	14,050 [4.1]	5,150 [1.5]	12.60	14.50	74	600 [283]
	RCQD-2417 (RGJF-06?MCK?)	19,200 [5.6]	14,050 [4.1]	5,150 [1.5]	12.60	14.50	74	625 [295]
	RCQD-2417 (RGJF-07?MCK?)	19,200 [5.6]	14,050 [4.1]	5,150 [1.5]	12.65	14.50	74	575 [271]
	RCQD-2417 (RGPE-05?BMK?)	19,200 [5.6]	14,050 [4.1]	5,150 [1.5]	12.60	14.50	74	575 [271]
	RCQD-2417 (RGPT-05?BMK?)	19,400 [5.7]	14,400 [4.2]	5,000 [1.5]	12.00	14.50	74	650 [307]
	RCQD-2417 (RGPT-07?AME?)	19,600 [5.7]	14,600 [4.3]	5,000 [1.5]	12.00	14.50	74	675 [319]
	ROCA-070E03 (RCQD-2417)	19,200 [5.6]	14,050 [4.1]	5,150 [1.5]	12.00	14.50	74	600 [283]
	ROLA-070E03 (RCQD-2417)	19,100 [5.6]	14,000 [4.1]	5,100 [1.5]	12.00	14.50	74	600 [283]
	RCQD-2417A*	18,700 [5.5]	13,700 [4.0]	5,000 [1.5]	11.20	13.00	74	600 [283]
	RCQD-2417A* (RGFD-06?MCK?)	19,100 [5.6]	14,000 [4.1]	5,100 [1.5]	12.45	14.50	74	600 [283]
	RCQD-2417A* (RGFD-07?MCK?)	19,100 [5.6]	14,000 [4.1]	5,100 [1.5]	12.45	14.50	74	600 [283]
	RCQD-2417A* (RGJD-06?MCK?)	19,200 [5.6]	14,050 [4.1]	5,150 [1.5]	12.60	14.50	74	600 [283]
	RCQD-2417A* (RGJD-07?MCK?)	19,100 [5.6]	14,000 [4.1]	5,100 [1.5]	12.55	14.50	74	625 [295]
	RCQD-2417A* (RGPR-05?BMK?)	19,100 [5.6]	14,000 [4.1]	5,100 [1.5]	12.35	14.50	74	600 [283]
	RCQD-2417A* (RGPR-07?AMK?)	19,200 [5.6]	14,050 [4.1]	5,150 [1.5]	12.60	14.50	74	600 [283]
	RCQD-2417A* (RGRM-04?MAE?)	19,100 [5.6]	14,000 [4.1]	5,100 [1.5]	12.50	14.50	74	575 [271]
	RCQD-2417A* (RGRM-06?MAE?)	19,100 [5.6]	14,000 [4.1]	5,100 [1.5]	12.55	14.50	74	600 [283]
	RCQD-2417A* (RGRM-07?MAE?)	19,100 [5.6]	14,000 [4.1]	5,100 [1.5]	12.30	14.50	74	625 [295]
	RHKL-HM2417 (RCSL-H*2417)	19,100 [5.6]	13,750 [4.0]	5,350 [1.6]	12.75	14.50	74	650 [307]
	RHLL-HM2417 (RCSL-H*2417)	18,800 [5.5]	13,500 [4.0]	5,300 [1.6]	12.55	14.00	74	600 [283]
RHSL-HM1817 (RCSL-H*2417)	18,600 [5.4]	13,300 [3.9]	5,300 [1.6]	11.70	13.00	74	600 [283]	
018JAZ	RCFL-H*2417 ①	23,800 [7.0]	16,900 [5.0]	6,900 [2.0]	11.35	13.25	72	800 [378]
	RCFL-A*2414	23,800 [7.0]	16,900 [5.0]	6,900 [2.0]	11.35	13.25	72	800 [378]
	RCFL-A*2417	23,800 [7.0]	16,900 [5.0]	6,900 [2.0]	11.35	13.25	72	800 [378]
	RCFL-A*2417 (RGFD-06?MCK?)	24,400 [7.1]	17,350 [5.1]	7,050 [2.1]	12.05	14.00	72	800 [378]
	RCFL-A*2417 (RGFD-07?MCK?)	24,600 [7.2]	17,400 [5.1]	7,200 [2.1]	12.15	14.00	72	800 [378]
	RCFL-A*2417 (RGFE-06?MCK?)	24,000 [7.0]	16,750 [4.9]	7,250 [2.1]	11.90	14.00	72	725 [342]
	RCFL-A*2417 (RGFE-07?MCK?)	24,000 [7.0]	16,750 [4.9]	7,250 [2.1]	11.90	14.00	72	725 [342]
	RCFL-A*2417 (RGGD-06?MCK?)	24,600 [7.2]	17,450 [5.1]	7,150 [2.1]	12.30	14.00	72	800 [378]
	RCFL-A*2417 (RGGD-07?MCK?)	24,600 [7.2]	17,450 [5.1]	7,150 [2.1]	12.25	14.00	72	800 [378]
	RCFL-A*2417 (RGGE-06?MCK?)	24,400 [7.1]	17,350 [5.1]	7,050 [2.1]	11.95	14.00	72	825 [389]
	RCFL-A*2417 (RGGE-07?MCK?)	24,200 [7.1]	17,000 [5.0]	7,200 [2.1]	12.00	14.50	72	750 [354]
	RCFL-A*2417 (RGJF-06?MCK?)	24,400 [7.1]	17,350 [5.1]	7,050 [2.1]	11.95	14.00	72	825 [389]
	RCFL-A*2417 (RGLE-07?AMK?)	24,400 [7.1]	17,300 [5.1]	7,100 [2.1]	12.10	14.50	72	800 [378]
	RCFL-A*2417 (RGLR-07?AMK?)	24,600 [7.2]	17,500 [5.1]	7,100 [2.1]	12.50	14.00	72	800 [378]
	RCFL-A*2417 (RGLT-07?AME?)	24,800 [7.3]	17,800 [5.2]	7,000 [2.1]	12.00	14.50	72	850 [401]
	RCFL-A*2417 (RGPE-05?BMK?)	24,400 [7.1]	17,350 [5.1]	7,050 [2.1]	12.00	14.50	72	800 [378]
	RCFL-A*2417 (RGPE-07?AMK?)	24,000 [7.0]	16,700 [4.9]	7,300 [2.1]	12.05	14.50	72	725 [342]
	RCFL-A*2417 (RGPR-05?BMK?)	24,600 [7.2]	17,400 [5.1]	7,200 [2.1]	12.15	14.00	72	775 [366]
	RCFL-A*2417 (RGPR-07?AMK?)	24,600 [7.2]	17,500 [5.1]	7,100 [2.1]	12.40	14.00	72	800 [378]
	RCFL-A*2417 (RGPT-05?BMK?)	24,800 [7.3]	17,800 [5.2]	7,000 [2.1]	12.00	14.50	72	850 [401]
	RCFL-A*2417 (RGPT-07?AME?)	24,800 [7.3]	17,800 [5.2]	7,000 [2.1]	12.00	14.50	72	850 [401]
	RCFL-A*2417 (RGRM-04?MAE?)	24,400 [7.1]	17,300 [5.1]	7,100 [2.1]	12.10	14.00	72	800 [378]
	RCFL-A*2417 (RGRM-06?MAE?)	24,400 [7.1]	17,300 [5.1]	7,100 [2.1]	12.10	14.00	72	825 [389]
	RCFL-A*2417 (RGRM-07?MAE?)	24,600 [7.2]	17,650 [5.2]	6,950 [2.0]	11.85	14.00	72	850 [401]
	RCFL-A*2417 (RGTM-06?MAE?)	24,400 [7.1]	17,350 [5.1]	7,050 [2.1]	11.80	14.00	72	825 [389]
	ROCA-070E03 (RCFL-A*2417)	24,600 [7.2]	17,450 [5.1]	7,150 [2.1]	12.00	14.50	72	800 [378]
	ROCA-070E04 (RCFL-A*2417)	24,600 [7.2]	17,450 [5.1]	7,150 [2.1]	12.00	14.50	72	800 [378]
	ROLA-070E03 (RCFL-A*2417)	24,600 [7.2]	17,450 [5.1]	7,150 [2.1]	12.00	14.50	72	800 [378]
	ROLA-070E04 (RCFL-A*2417)	24,200 [7.1]	16,850 [4.9]	7,350 [2.2]	12.00	14.50	72	725 [342]
	RCFL-H*2414	23,800 [7.0]	16,900 [5.0]	6,900 [2.0]	11.35	13.25	72	800 [378]
	RCFL-H*2417 (RGFD-06?MCK?)	24,400 [7.1]	17,350 [5.1]	7,050 [2.1]	12.05	14.00	72	800 [378]
	RCFL-H*2417 (RGFD-07?MCK?)	24,600 [7.2]	17,400 [5.1]	7,200 [2.1]	12.15	14.00	72	800 [378]

① Highest sales volume tested combination required by D.O.E. test procedures.

[] Designates Metric Conversions

Performance Data @ AHRI Standard Conditions—Cooling: RANL- (continued)

Model Numbers		80°F [26.5°C] DB/67°F [19.5°C] WB Indoor Air 95°F [35°C] DB Outdoor Air					Sound Rating dB	Indoor CFM [L/s]
Outdoor Unit RANL-	Indoor Coil and/or Air Handler	Total Capacity BTU/H [kW]	Net Sensible BTU/H [kW]	Net Latent BTU/H [kW]	EER	SEER		
Rev. 7/1/10	RCFL-H*2417 (RGFE-06?MCK?)	24,000 [7.0]	16,750 [4.9]	7,250 [2.1]	11.90	14.00	72	725 [342]
	RCFL-H*2417 (RGFE-07?MCK?)	24,000 [7.0]	16,750 [4.9]	7,250 [2.1]	11.90	14.00	72	725 [342]
	RCFL-H*2417 (RGGD-06?MCK?)	24,600 [7.2]	17,450 [5.1]	7,150 [2.1]	12.30	14.00	72	800 [378]
	RCFL-H*2417 (RGGD-07?MCK?)	24,600 [7.2]	17,450 [5.1]	7,150 [2.1]	12.25	14.00	72	800 [378]
	RCFL-H*2417 (RGGE-06?MCK?)	24,400 [7.1]	17,350 [5.1]	7,050 [2.1]	11.95	14.00	72	825 [389]
	RCFL-H*2417 (RGGE-07?MCK?)	24,200 [7.1]	17,000 [5.0]	7,200 [2.1]	12.00	14.50	72	750 [354]
	RCFL-H*2417 (RGJD-06?MCK?)	24,600 [7.2]	17,450 [5.1]	7,150 [2.1]	12.30	14.00	72	800 [378]
	RCFL-H*2417 (RGJD-07?MCK?)	24,600 [7.2]	17,450 [5.1]	7,150 [2.1]	12.25	14.00	72	800 [378]
	RCFL-H*2417 (RGJF-06?MCK?)	24,400 [7.1]	17,350 [5.1]	7,050 [2.1]	11.95	14.00	72	825 [389]
	RCFL-H*2417 (RGJF-07?MCK?)	24,400 [7.1]	17,350 [5.1]	7,050 [2.1]	11.95	14.00	72	800 [378]
	RCFL-H*2417 (RGLE-07?AMK?)	24,400 [7.1]	17,300 [5.1]	7,100 [2.1]	12.10	14.50	72	800 [378]
	RCFL-H*2417 (RGLR-07?AMK?)	24,600 [7.2]	17,500 [5.1]	7,100 [2.1]	12.50	14.00	72	800 [378]
	RCFL-H*2417 (RGLT-07?AME?)	24,800 [7.3]	17,800 [5.2]	7,000 [2.1]	12.00	14.50	72	850 [401]
	RCFL-H*2417 (RGPE-05?BMK?)	24,400 [7.1]	17,350 [5.1]	7,050 [2.1]	12.00	14.50	72	800 [378]
	RCFL-H*2417 (RGPE-07?AMK?)	24,000 [7.0]	16,700 [4.9]	7,300 [2.1]	12.05	14.50	72	725 [342]
	RCFL-H*2417 (RGPR-05?BMK?)	24,600 [7.2]	17,400 [5.1]	7,200 [2.1]	12.15	14.00	72	775 [366]
	RCFL-H*2417 (RGPR-07?AMK?)	24,600 [7.2]	17,500 [5.1]	7,100 [2.1]	12.40	14.00	72	800 [378]
	RCFL-H*2417 (RGPT-05?BMK?)	24,800 [7.3]	17,800 [5.2]	7,000 [2.1]	12.00	14.50	72	850 [401]
	RCFL-H*2417 (RGPT-07?AME?)	24,800 [7.3]	17,800 [5.2]	7,000 [2.1]	12.00	14.50	72	850 [401]
	024JAZ	RCFL-H*2417 (RGRM-04?MAE?)	24,400 [7.1]	17,300 [5.1]	7,100 [2.1]	12.10	14.00	72
RCFL-H*2417 (RGRM-06?MAE?)		24,400 [7.1]	17,300 [5.1]	7,100 [2.1]	12.10	14.00	72	825 [389]
RCFL-H*2417 (RGRM-07?MAE?)		24,600 [7.2]	17,650 [5.2]	6,950 [2.0]	11.85	14.00	72	850 [401]
RCFL-H*2417 (RGTM-06?MAE?)		24,400 [7.1]	17,350 [5.1]	7,050 [2.1]	11.80	14.00	72	825 [389]
ROCA-070E03 (RCFL-H*2417)		24,600 [7.2]	17,450 [5.1]	7,150 [2.1]	12.00	14.50	72	800 [378]
ROCA-070E04 (RCFL-H*2417)		24,600 [7.2]	17,450 [5.1]	7,150 [2.1]	12.00	14.50	72	800 [378]
ROLA-070E03 (RCFL-H*2417)		24,600 [7.2]	17,450 [5.1]	7,150 [2.1]	12.00	14.50	72	800 [378]
ROLA-070E04 (RCFL-H*2417)		24,200 [7.1]	16,850 [4.9]	7,350 [2.2]	12.00	14.50	72	725 [342]
RBHP-17 (RCHL-24A2)		23,400 [6.9]	16,050 [4.7]	7,350 [2.2]	11.55	14.00	72	800 [378]
RCQD-2417 (RGFE-06?MCK?)		24,800 [7.3]	17,650 [5.2]	7,150 [2.1]	12.30	14.50	72	725 [342]
RCQD-2417 (RGFE-07?MCK?)		24,800 [7.3]	17,650 [5.2]	7,150 [2.1]	12.30	14.50	72	725 [342]
RCQD-2417 (RGGE-06?MCK?)		25,200 [7.4]	18,250 [5.3]	6,950 [2.0]	12.40	14.50	72	825 [389]
RCQD-2417 (RGJF-06?MCK?)		25,200 [7.4]	18,250 [5.3]	6,950 [2.0]	12.40	14.50	72	825 [389]
RCQD-2417 (RGJF-07?MCK?)		25,200 [7.4]	18,300 [5.4]	6,900 [2.0]	12.35	14.50	72	800 [378]
RCQD-2417 (RGPE-05?BMK?)		25,200 [7.4]	18,250 [5.3]	6,950 [2.0]	12.40	14.50	72	800 [378]
RCQD-2417 (RGPE-07?AMK?)		25,200 [7.4]	18,250 [5.3]	6,950 [2.0]	12.30	14.50	72	825 [389]
RCQD-2417 (RGPT-05?BMK?)		25,600 [7.5]	19,000 [5.6]	6,600 [1.9]	12.00	14.50	72	900 [425]
ROCA-070E03 (RCQD-2417)		25,200 [7.4]	18,250 [5.3]	6,950 [2.0]	12.00	14.50	72	800 [378]
ROCA-070E04 (RCQD-2417)		25,200 [7.4]	18,250 [5.3]	6,950 [2.0]	12.00	14.50	72	800 [378]
ROLA-070E03 (RCQD-2417)		25,200 [7.4]	18,250 [5.3]	6,950 [2.0]	12.00	14.50	72	800 [378]
ROLA-070E04 (RCQD-2417)		24,800 [7.3]	17,650 [5.2]	7,150 [2.1]	12.00	14.50	72	725 [342]
RCQD-2417A*		24,600 [7.2]	17,850 [5.2]	6,750 [2.0]	11.20	13.00	72	800 [378]
RCQD-2417A* (RGFD-06?MCK?)		25,000 [7.3]	18,100 [5.3]	6,900 [2.0]	12.10	14.00	72	800 [378]
RCQD-2417A* (RGFD-07?MCK?)		25,200 [7.4]	18,300 [5.4]	6,900 [2.0]	12.15	14.50	72	800 [378]
RCQD-2417A* (RGJD-06?MCK?)		25,200 [7.4]	18,300 [5.4]	6,900 [2.0]	12.35	14.50	72	800 [378]
RCQD-2417A* (RGJD-07?MCK?)		25,200 [7.4]	18,300 [5.4]	6,900 [2.0]	12.25	14.50	72	800 [378]
RCQD-2417A* (RGPR-05?BMK?)		25,200 [7.4]	18,300 [5.4]	6,900 [2.0]	12.20	14.50	72	775 [366]
RCQD-2417A* (RGPR-07?AMK?)		25,200 [7.4]	18,250 [5.3]	6,950 [2.0]	12.40	14.50	72	800 [378]
RCQD-2417A* (RGRM-04?MAE?)		25,200 [7.4]	18,300 [5.4]	6,900 [2.0]	12.15	14.50	72	800 [378]
RCQD-2417A* (RGRM-06?MAE?)		25,200 [7.4]	18,300 [5.4]	6,900 [2.0]	12.20	14.50	72	825 [389]
RCQD-2417A* (RGRM-07?MAE?)		25,200 [7.4]	18,450 [5.4]	6,750 [2.0]	12.00	14.00	72	850 [401]
RHKL-HM2417 (RCSL-H*2417)		24,800 [7.3]	17,650 [5.2]	7,150 [2.1]	12.45	14.00	72	850 [401]
RHLL-HM2417 (RCSL-H*2417)		24,800 [7.3]	17,600 [5.2]	7,200 [2.1]	12.80	15.00	72	775 [366]
RHSL-HM2417 (RCSL-H*2417)		24,200 [7.1]	17,250 [5.1]	6,950 [2.0]	11.65	13.00	72	800 [378]

① Highest sales volume tested combination required by D.O.E. test procedures.

[] Designates Metric Conversions

Performance Data @ AHRI Standard Conditions—Cooling: RANL- (continued)

Model Numbers		80°F [26.5°C] DB/67°F [19.5°C] WB Indoor Air 95°F [35°C] DB Outdoor Air					Sound Rating dB	Indoor CFM [L/s]
Outdoor Unit RANL-	Indoor Coil and/or Air Handler	Total Capacity BTU/H [kW]	Net Sensible BTU/H [kW]	Net Latent BTU/H [kW]	EER	SEER		
Rev. 7/1/10	RCFL-H*3617 ①	28,800 [8.4]	21,150 [6.2]	7,650 [2.2]	10.95	13.00	73	1,000 [472]
	RCFL-A*3617	28,800 [8.4]	21,150 [6.2]	7,650 [2.2]	10.95	13.00	73	1,000 [472]
031JAZ	RCFL-A*3617 (RGFD-07?MCK?)	29,200 [8.6]	21,450 [6.3]	7,750 [2.3]	11.40	13.50	73	1,000 [472]
	RCFL-A*3617 (RGFE-06?MCK?)	29,200 [8.6]	21,450 [6.3]	7,750 [2.3]	11.45	13.50	73	1,000 [472]
	RCFL-A*3617 (RGFE-07?MCK?)	29,000 [8.5]	21,300 [6.2]	7,700 [2.3]	11.35	13.00	73	1,025 [484]
	RCFL-A*3617 (RGGD-06?MCK?)	29,200 [8.6]	21,450 [6.3]	7,750 [2.3]	11.45	13.50	73	1,000 [472]
	RCFL-A*3617 (RGGD-07?MCK?)	29,000 [8.5]	21,300 [6.2]	7,700 [2.3]	11.35	13.50	73	1,025 [484]
	RCFL-A*3617 (RGGE-06?MCK?)	30,400 [8.9]	22,350 [6.5]	8,050 [2.4]	11.80	14.00	73	1,025 [484]
	RCFL-A*3617 (RGGE-07?MCK?)	29,200 [8.6]	21,450 [6.3]	7,750 [2.3]	11.50	13.50	73	1,025 [484]
	RCFL-A*3617 (RGJF-06?MCK?)	30,400 [8.9]	22,350 [6.5]	8,050 [2.4]	11.80	14.00	73	1,025 [484]
	RCFL-A*3617 (RGLE-07?AMK?)	30,400 [8.9]	22,300 [6.5]	8,100 [2.4]	11.95	14.00	73	1,025 [484]
	RCFL-A*3617 (RGLR-07?AMK?)	29,200 [8.6]	21,450 [6.3]	7,750 [2.3]	11.65	13.50	73	1,025 [484]
	RCFL-A*3617 (RGLT-07?AME?)	28,800 [8.4]	20,550 [6.0]	8,250 [2.4]	11.50	14.00	73	875 [413]
	RCFL-A*3617 (RGPE-05?BMK?)	29,200 [8.6]	21,450 [6.3]	7,750 [2.3]	11.60	13.50	73	975 [460]
	RCFL-A*3617 (RGPE-07?AMK?)	29,200 [8.6]	21,450 [6.3]	7,750 [2.3]	11.65	13.50	73	1,000 [472]
	RCFL-A*3617 (RGPR-07?AMK?)	29,200 [8.6]	21,450 [6.3]	7,750 [2.3]	11.65	13.50	73	1,000 [472]
	RCFL-A*3617 (RGPT-05?BMK?)	28,600 [8.4]	20,250 [5.9]	8,350 [2.4]	11.50	14.00	73	850 [401]
	RCFL-A*3617 (RGPT-07?AME?)	28,800 [8.4]	20,550 [6.0]	8,250 [2.4]	11.50	14.00	73	875 [413]
	RCFL-A*3617 (RGRM-04?MAE?)	29,000 [8.5]	21,300 [6.2]	7,700 [2.3]	11.20	13.00	73	1,025 [484]
	RCFL-A*3617 (RGRM-06?MAE?)	29,000 [8.5]	21,300 [6.2]	7,700 [2.3]	11.35	13.50	73	1,000 [472]
	RCFL-A*3617 (RGRM-07?MAE?)	28,400 [8.3]	20,100 [5.9]	8,300 [2.4]	11.45	13.50	73	850 [401]
	RCFL-A*3617 (RGRM-07?YBG?)	29,000 [8.5]	21,300 [6.2]	7,700 [2.3]	11.15	13.00	73	975 [460]
	RCFL-A*3617 (RGTM-06?MAE?)	30,000 [8.8]	21,500 [6.3]	8,500 [2.5]	12.00	14.00	73	900 [425]
	ROCA-070E03 (RCFL-A*3617)	29,200 [8.6]	21,400 [6.3]	7,800 [2.3]	11.50	13.50	73	1,000 [472]
	ROCA-070E04 (RCFL-A*3617)	29,200 [8.6]	21,400 [6.3]	7,800 [2.3]	11.50	13.50	73	1,000 [472]
	ROLA-070E03 (RCFL-A*3617)	29,400 [8.6]	21,600 [6.3]	7,800 [2.3]	11.50	14.00	73	975 [460]
	ROLA-070E04 (RCFL-A*3617)	29,400 [8.6]	21,600 [6.3]	7,800 [2.3]	11.50	14.00	73	975 [460]
	RCFL-A*3621	28,800 [8.4]	21,150 [6.2]	7,650 [2.2]	10.95	13.00	73	1,000 [472]
	RCFL-A*3621 (RGFD-07?MCK?)	29,200 [8.6]	21,450 [6.3]	7,750 [2.3]	11.45	13.50	73	1,000 [472]
	RCFL-A*3621 (RGFE-06?MCK?)	30,400 [8.9]	22,350 [6.5]	8,050 [2.4]	11.70	13.50	73	1,000 [472]
	RCFL-A*3621 (RGFE-07?MCK?)	30,200 [8.8]	22,150 [6.5]	8,050 [2.4]	11.65	13.50	73	1,025 [484]
	RCFL-A*3621 (RGFE-09?ZCM?)	30,600 [9.0]	22,500 [6.6]	8,100 [2.4]	12.10	14.00	73	975 [460]
	RCFL-A*3621 (RGFE-10?ZCM?)	30,600 [9.0]	22,500 [6.6]	8,100 [2.4]	12.05	14.00	73	1,000 [472]
	RCFL-A*3621 (RGGD-06?MCK?)	29,200 [8.6]	21,450 [6.3]	7,750 [2.3]	11.50	13.50	73	1,000 [472]
	RCFL-A*3621 (RGGD-07?MCK?)	29,200 [8.6]	21,450 [6.3]	7,750 [2.3]	11.40	13.50	73	1,025 [484]
	RCFL-A*3621 (RGGE-06?MCK?)	30,400 [8.9]	22,350 [6.5]	8,050 [2.4]	11.85	14.00	73	1,025 [484]
	RCFL-A*3621 (RGGE-07?MCK?)	30,400 [8.9]	22,350 [6.5]	8,050 [2.4]	11.80	14.00	73	1,025 [484]
	RCFL-A*3621 (RGGE-09?ZCM?)	30,600 [9.0]	22,500 [6.6]	8,100 [2.4]	12.15	14.00	73	1,000 [472]
	RCFL-A*3621 (RGGE-10?ZCM?)	30,800 [9.0]	22,900 [6.7]	7,900 [2.3]	12.00	14.00	73	1,050 [495]
	RCFL-A*3621 (RGJF-06?MCK?)	30,400 [8.9]	22,350 [6.5]	8,050 [2.4]	11.85	14.00	73	1,025 [484]
	RCFL-A*3621 (RGLE-07?AMK?)	30,400 [8.9]	22,300 [6.5]	8,100 [2.4]	12.00	14.00	73	1,025 [484]
	RCFL-A*3621 (RGLE-07?BRQ?)	30,600 [9.0]	22,450 [6.6]	8,150 [2.4]	12.20	14.50	73	1,025 [484]
RCFL-A*3621 (RGLE-10?BRM?)	31,000 [9.1]	23,050 [6.8]	7,950 [2.3]	12.35	14.50	73	1,050 [495]	
RCFL-A*3621 (RGLR-07?AMK?)	29,200 [8.6]	21,400 [6.3]	7,800 [2.3]	11.70	13.50	73	1,025 [484]	
RCFL-A*3621 (RGLR-07?BRQ?)	29,400 [8.6]	21,600 [6.3]	7,800 [2.3]	12.00	14.00	73	1,000 [472]	
RCFL-A*3621 (RGLT-07?AME?)	28,800 [8.4]	20,550 [6.0]	8,250 [2.4]	11.50	14.00	73	875 [413]	
RCFL-A*3621 (RGLT-07?BRQ?)	29,600 [8.7]	21,750 [6.4]	7,850 [2.3]	11.50	14.00	73	975 [460]	
RCFL-A*3621 (RGLT-10?BRM?)	29,600 [8.7]	21,750 [6.4]	7,850 [2.3]	12.00	14.50	73	975 [460]	
RCFL-A*3621 (RGPE-05?BMK?)	30,400 [8.9]	22,300 [6.5]	8,100 [2.4]	11.90	14.00	73	975 [460]	
RCFL-A*3621 (RGPE-07?AMK?)	30,400 [8.9]	22,300 [6.5]	8,100 [2.4]	11.95	14.00	73	1,000 [472]	
RCFL-A*3621 (RGPE-07?BRQ?)	30,800 [9.0]	22,850 [6.7]	7,950 [2.3]	12.20	14.50	73	1,050 [495]	
RCFL-A*3621 (RGPE-10?BRM?)	30,200 [8.8]	21,650 [6.3]	8,550 [2.5]	12.35	14.50	73	900 [425]	
RCFL-A*3621 (RGPR-05?BMK?)	29,000 [8.5]	21,250 [6.2]	7,750 [2.3]	11.40	13.50	73	1,000 [472]	

① Highest sales volume tested combination required by D.O.E. test procedures.

[] Designates Metric Conversions

Performance Data @ AHRI Standard Conditions—Cooling: RANL- (continued)

Model Numbers		80°F [26.5°C] DB/67°F [19.5°C] WB Indoor Air 95°F [35°C] DB Outdoor Air					Sound Rating dB	Indoor CFM [L/s]
Outdoor Unit RANL-	Indoor Coil and/or Air Handler	Total Capacity BTU/H [kW]	Net Sensible BTU/H [kW]	Net Latent BTU/H [kW]	EER	SEER		
Rev. 7/1/10	RCFL-A*3621 (RGPR-07?AMK?)	29,200 [8.6]	21,450 [6.3]	7,750 [2.3]	11.70	13.50	73	1,000 [472]
	RCFL-A*3621 (RGPR-07?BRQ?)	29,400 [8.6]	21,550 [6.3]	7,850 [2.3]	12.05	14.00	73	1,000 [472]
	RCFL-A*3621 (RGPT-05?BMK?)	28,800 [8.4]	20,550 [6.0]	8,250 [2.4]	11.50	14.00	73	875 [413]
	RCFL-A*3621 (RGPT-07?AME?)	28,800 [8.4]	20,550 [6.0]	8,250 [2.4]	11.50	14.00	73	875 [413]
	RCFL-A*3621 (RGPT-07?BRQ?)	29,600 [8.7]	21,750 [6.4]	7,850 [2.3]	12.00	14.50	73	975 [460]
	RCFL-A*3621 (RGPT-10?BRM?)	29,600 [8.7]	21,750 [6.4]	7,850 [2.3]	12.00	14.50	73	975 [460]
	RCFL-A*3621 (RGRM-04?MAE?)	29,000 [8.5]	21,300 [6.2]	7,700 [2.3]	11.25	13.00	73	1,025 [484]
	RCFL-A*3621 (RGRM-06?MAE?)	29,000 [8.5]	21,250 [6.2]	7,750 [2.3]	11.40	13.50	73	1,000 [472]
	RCFL-A*3621 (RGRM-07?MAE?)	28,800 [8.4]	21,150 [6.2]	7,650 [2.2]	11.00	13.00	73	1,025 [484]
	RCFL-A*3621 (RGRM-07?YBG?)	29,000 [8.5]	21,300 [6.2]	7,700 [2.3]	11.20	13.00	73	975 [460]
031JAZ	RCFL-A*3621 (RGTM-06?MAE?)	30,000 [8.8]	21,500 [6.3]	8,500 [2.5]	12.05	14.00	73	900 [425]
	RCFL-A*3621 (RGTM-07?RBG?)	31,000 [9.1]	23,400 [6.9]	7,600 [2.2]	12.00	14.00	73	1,125 [531]
	RCFL-A*3621 (RGTM-09?ZAJ?)	30,600 [9.0]	22,450 [6.6]	8,150 [2.4]	12.25	14.50	73	975 [460]
	ROCA-070E03 (RCFL-A*3621)	29,400 [8.6]	21,600 [6.3]	7,800 [2.3]	11.50	14.00	73	1,000 [472]
	ROCA-070E04 (RCFL-A*3621)	29,400 [8.6]	21,600 [6.3]	7,800 [2.3]	11.50	14.00	73	1,000 [472]
	ROLA-070E03 (RCFL-A*3621)	29,400 [8.6]	21,600 [6.3]	7,800 [2.3]	11.50	14.00	73	975 [460]
	ROLA-070E04 (RCFL-A*3621)	29,400 [8.6]	21,600 [6.3]	7,800 [2.3]	11.50	14.00	73	1,025 [484]
	ROLA-115E05 (RCFL-A*3621)	29,000 [8.5]	20,800 [6.1]	8,200 [2.4]	11.50	14.00	73	900 [425]
	RCFL-H*3617 (RGFD-07?MCK?)	29,200 [8.6]	21,450 [6.3]	7,750 [2.3]	11.40	13.50	73	1,000 [472]
	RCFL-H*3617 (RGFE-06?MCK?)	30,200 [8.8]	22,150 [6.5]	8,050 [2.4]	11.65	13.50	73	1,000 [472]
	RCFL-H*3617 (RGFE-07?MCK?)	30,200 [8.8]	22,150 [6.5]	8,050 [2.4]	11.55	13.50	73	1,025 [484]
	RCFL-H*3617 (RGGD-06?MCK?)	29,200 [8.6]	21,450 [6.3]	7,750 [2.3]	11.45	13.50	73	1,000 [472]
	RCFL-H*3617 (RGGD-07?MCK?)	29,000 [8.5]	21,300 [6.2]	7,700 [2.3]	11.35	13.50	73	1,025 [484]
	RCFL-H*3617 (RGGE-06?MCK?)	30,400 [8.9]	22,350 [6.5]	8,050 [2.4]	11.80	14.00	73	1,025 [484]
	RCFL-H*3617 (RGGE-07?MCK?)	30,400 [8.9]	22,350 [6.5]	8,050 [2.4]	11.75	13.50	73	1,025 [484]
	RCFL-H*3617 (RGJD-06?MCK?)	29,200 [8.6]	21,450 [6.3]	7,750 [2.3]	11.45	13.50	73	1,000 [472]
	RCFL-H*3617 (RGJD-07?MCK?)	29,000 [8.5]	21,300 [6.2]	7,700 [2.3]	11.35	13.50	73	1,025 [484]
	RCFL-H*3617 (RGJF-06?MCK?)	30,400 [8.9]	22,350 [6.5]	8,050 [2.4]	11.80	14.00	73	1,025 [484]
	RCFL-H*3617 (RGJF-07?MCK?)	29,800 [8.7]	21,250 [6.2]	8,550 [2.5]	11.90	14.00	73	875 [413]
	RCFL-H*3617 (RGLE-07?AMK?)	30,400 [8.9]	22,300 [6.5]	8,100 [2.4]	11.95	14.00	73	1,025 [484]
	RCFL-H*3617 (RGLR-07?AMK?)	29,200 [8.6]	21,450 [6.3]	7,750 [2.3]	11.65	13.50	73	1,025 [484]
	RCFL-H*3617 (RGLT-07?AME?)	28,800 [8.4]	20,550 [6.0]	8,250 [2.4]	11.50	14.00	73	875 [413]
	RCFL-H*3617 (RGPE-05?BMK?)	30,400 [8.9]	22,300 [6.5]	8,100 [2.4]	11.85	14.00	73	975 [460]
	RCFL-H*3617 (RGPE-07?AMK?)	30,400 [8.9]	22,300 [6.5]	8,100 [2.4]	11.90	14.00	73	1,000 [472]
	RCFL-H*3617 (RGPR-07?AMK?)	29,200 [8.6]	21,450 [6.3]	7,750 [2.3]	11.65	13.50	73	1,000 [472]
	RCFL-H*3617 (RGPT-05?BMK?)	28,600 [8.4]	20,250 [5.9]	8,350 [2.4]	11.50	14.00	73	850 [401]
	RCFL-H*3617 (RGPT-07?AME?)	28,800 [8.4]	20,550 [6.0]	8,250 [2.4]	11.50	14.00	73	875 [413]
	RCFL-H*3617 (RGRM-04?MAE?)	29,000 [8.5]	21,300 [6.2]	7,700 [2.3]	11.20	13.00	73	1,025 [484]
	RCFL-H*3617 (RGRM-06?MAE?)	29,000 [8.5]	21,300 [6.2]	7,700 [2.3]	11.35	13.50	73	1,000 [472]
	RCFL-H*3617 (RGRM-07?MAE?)	28,400 [8.3]	20,100 [5.9]	8,300 [2.4]	11.45	13.50	73	850 [401]
	RCFL-H*3617 (RGRM-07?YBG?)	29,000 [8.5]	21,300 [6.2]	7,700 [2.3]	11.15	13.00	73	975 [460]
	RCFL-H*3617 (RGTM-06?MAE?)	30,000 [8.8]	21,500 [6.3]	8,500 [2.5]	12.00	14.00	73	900 [425]
	ROCA-070E03 (RCFL-H*3617)	29,200 [8.6]	21,400 [6.3]	7,800 [2.3]	11.50	13.50	73	1,000 [472]
	ROCA-070E04 (RCFL-H*3617)	29,200 [8.6]	21,400 [6.3]	7,800 [2.3]	11.50	13.50	73	1,000 [472]
	ROLA-070E03 (RCFL-H*3617)	29,400 [8.6]	21,600 [6.3]	7,800 [2.3]	11.50	14.00	73	975 [460]
	ROLA-070E04 (RCFL-H*3617)	29,400 [8.6]	21,600 [6.3]	7,800 [2.3]	11.50	14.00	73	975 [460]
	RCFL-H*3621	28,800 [8.4]	21,150 [6.2]	7,650 [2.2]	10.95	13.00	73	1,000 [472]
	RCFL-H*3621 (RGFD-07?MCK?)	29,200 [8.6]	21,450 [6.3]	7,750 [2.3]	11.45	13.50	73	1,000 [472]
	RCFL-H*3621 (RGFE-06?MCK?)	30,400 [8.9]	22,350 [6.5]	8,050 [2.4]	11.70	13.50	73	1,000 [472]
	RCFL-H*3621 (RGFE-07?MCK?)	30,200 [8.8]	22,150 [6.5]	8,050 [2.4]	11.65	13.50	73	1,025 [484]
RCFL-H*3621 (RGFE-09?ZCM?)	30,600 [9.0]	22,500 [6.6]	8,100 [2.4]	12.10	14.00	73	975 [460]	
RCFL-H*3621 (RGFE-10?ZCM?)	30,600 [9.0]	22,500 [6.6]	8,100 [2.4]	12.05	14.00	73	1,000 [472]	
RCFL-H*3621 (RGGD-06?MCK?)	29,200 [8.6]	21,450 [6.3]	7,750 [2.3]	11.50	13.50	73	1,000 [472]	

① Highest sales volume tested combination required by D.O.E. test procedures.

[] Designates Metric Conversions

Performance Data @ AHRI Standard Conditions—Cooling: RANL- (continued)

Model Numbers		80°F [26.5°C] DB/67°F [19.5°C] WB Indoor Air 95°F [35°C] DB Outdoor Air					Sound Rating dB	Indoor CFM [L/s]
Outdoor Unit RANL-	Indoor Coil and/or Air Handler	Total Capacity BTU/H [kW]	Net Sensible BTU/H [kW]	Net Latent BTU/H [kW]	EER	SEER		
Rev. 7/1/10	RCFL-H*3621 (RGGD-07?MCK?)	29,200 [8.6]	21,450 [6.3]	7,750 [2.3]	11.40	13.50	73	1,025 [484]
	RCFL-H*3621 (RGGE-06?MCK?)	30,400 [8.9]	22,350 [6.5]	8,050 [2.4]	11.85	14.00	73	1,025 [484]
031JAZ	RCFL-H*3621 (RGJD-06?MCK?)	29,200 [8.6]	21,450 [6.3]	7,750 [2.3]	11.50	13.50	73	1,000 [472]
	RCFL-H*3621 (RGJD-07?MCK?)	29,200 [8.6]	21,450 [6.3]	7,750 [2.3]	11.40	13.50	73	1,025 [484]
	RCFL-H*3621 (RGJF-06?MCK?)	30,400 [8.9]	22,350 [6.5]	8,050 [2.4]	11.85	14.00	73	1,025 [484]
	RCFL-H*3621 (RGJF-07?MCK?)	30,400 [8.9]	22,350 [6.5]	8,050 [2.4]	11.80	14.00	73	1,025 [484]
	RCFL-H*3621 (RGJF-09?ZCM?)	30,400 [8.9]	22,300 [6.5]	8,100 [2.4]	12.00	14.00	73	1,025 [484]
	RCFL-H*3621 (RGJF-10?ZCM?)	30,800 [9.0]	22,900 [6.7]	7,900 [2.3]	12.00	14.00	73	1,050 [495]
	RCFL-H*3621 (RGLE-07?AMK?)	30,400 [8.9]	22,300 [6.5]	8,100 [2.4]	12.00	14.00	73	1,025 [484]
	RCFL-H*3621 (RGLE-07?BRQ?)	30,600 [9.0]	22,450 [6.6]	8,150 [2.4]	12.20	14.50	73	1,025 [484]
	RCFL-H*3621 (RGLE-10?BRM?)	31,000 [9.1]	23,050 [6.8]	7,950 [2.3]	12.35	14.50	73	1,050 [495]
	RCFL-H*3621 (RGLR-07?AMK?)	29,200 [8.6]	21,400 [6.3]	7,800 [2.3]	11.70	13.50	73	1,025 [484]
	RCFL-H*3621 (RGLR-07?BRQ?)	29,400 [8.6]	21,600 [6.3]	7,800 [2.3]	12.00	14.00	73	1,000 [472]
	RCFL-H*3621 (RGLT-07?AME?)	28,800 [8.4]	20,550 [6.0]	8,250 [2.4]	11.50	14.00	73	875 [413]
	RCFL-H*3621 (RGLT-07?BRQ?)	29,600 [8.7]	21,750 [6.4]	7,850 [2.3]	11.50	14.00	73	975 [460]
	RCFL-H*3621 (RGLT-10?BRM?)	29,600 [8.7]	21,750 [6.4]	7,850 [2.3]	12.00	14.50	73	975 [460]
	RCFL-H*3621 (RGPE-05?BMK?)	30,400 [8.9]	22,300 [6.5]	8,100 [2.4]	11.90	14.00	73	975 [460]
	RCFL-H*3621 (RGPE-07?AMK?)	30,400 [8.9]	22,300 [6.5]	8,100 [2.4]	11.95	14.00	73	1,000 [472]
	RCFL-H*3621 (RGPE-07?BRQ?)	30,800 [9.0]	22,850 [6.7]	7,950 [2.3]	12.20	14.50	73	1,050 [495]
	RCFL-H*3621 (RGPE-10?BRM?)	31,000 [9.1]	23,150 [6.8]	7,850 [2.3]	12.30	14.50	73	1,075 [507]
	RCFL-H*3621 (RGPR-05?BMK?)	29,000 [8.5]	21,250 [6.2]	7,750 [2.3]	11.40	13.50	73	1,000 [472]
	RCFL-H*3621 (RGPR-07?AMK?)	29,200 [8.6]	21,450 [6.3]	7,750 [2.3]	11.70	13.50	73	1,000 [472]
	RCFL-H*3621 (RGPR-07?BRQ?)	29,400 [8.6]	21,550 [6.3]	7,850 [2.3]	12.05	14.00	73	1,000 [472]
	RCFL-H*3621 (RGPT-05?BMK?)	28,800 [8.4]	20,550 [6.0]	8,250 [2.4]	11.50	14.00	73	875 [413]
	RCFL-H*3621 (RGPT-07?AME?)	28,800 [8.4]	20,550 [6.0]	8,250 [2.4]	11.50	14.00	73	875 [413]
	RCFL-H*3621 (RGPT-07?BRQ?)	29,600 [8.7]	21,750 [6.4]	7,850 [2.3]	12.00	14.50	73	975 [460]
	RCFL-H*3621 (RGPT-10?BRM?)	29,600 [8.7]	21,750 [6.4]	7,850 [2.3]	12.00	14.50	73	975 [460]
	RCFL-H*3621 (RGRM-04?MAE?)	29,000 [8.5]	21,300 [6.2]	7,700 [2.3]	11.25	13.00	73	1,025 [484]
	RCFL-H*3621 (RGRM-06?MAE?)	29,000 [8.5]	21,250 [6.2]	7,750 [2.3]	11.40	13.50	73	1,000 [472]
	RCFL-H*3621 (RGRM-07?MAE?)	28,800 [8.4]	21,150 [6.2]	7,650 [2.2]	11.00	13.00	73	1,025 [484]
	RCFL-H*3621 (RGRM-07?YBG?)	29,000 [8.5]	21,300 [6.2]	7,700 [2.3]	11.20	13.00	73	975 [460]
	RCFL-H*3621 (RGTM-06?MAE?)	30,000 [8.8]	21,500 [6.3]	8,500 [2.5]	12.05	14.00	73	900 [425]
	RCFL-H*3621 (RGTM-07?RBG?)	31,000 [9.1]	23,400 [6.9]	7,600 [2.2]	12.00	14.00	73	1,125 [531]
	RCFL-H*3621 (RGTM-09?ZAJ?)	30,600 [9.0]	22,450 [6.6]	8,150 [2.4]	12.25	14.50	73	975 [460]
	ROCA-070E03 (RCFL-H*3621)	29,400 [8.6]	21,600 [6.3]	7,800 [2.3]	11.50	14.00	73	1,000 [472]
	ROCA-070E04 (RCFL-H*3621)	29,400 [8.6]	21,600 [6.3]	7,800 [2.3]	11.50	14.00	73	1,000 [472]
	ROLA-070E03 (RCFL-H*3621)	29,400 [8.6]	21,600 [6.3]	7,800 [2.3]	11.50	14.00	73	975 [460]
	ROLA-070E04 (RCFL-H*3621)	29,400 [8.6]	21,600 [6.3]	7,800 [2.3]	11.50	14.00	73	1,025 [484]
	ROLA-115E05 (RCFL-H*3621)	29,000 [8.5]	20,800 [6.1]	8,200 [2.4]	11.50	14.00	73	900 [425]
	RBHP-21 (RCHL-36A1)	29,200 [8.6]	20,600 [6.0]	8,600 [2.5]	11.95	14.00	73	1,000 [472]
	RCQD-3621 (RGFE-06?MCK?)	30,600 [9.0]	22,800 [6.7]	7,800 [2.3]	11.95	14.00	73	1,000 [472]
	RCQD-3621 (RGFE-07?MCK?)	30,600 [9.0]	22,800 [6.7]	7,800 [2.3]	11.90	14.00	73	1,025 [484]
RCQD-3621 (RGFE-09?ZCM?)	30,800 [9.0]	22,950 [6.7]	7,850 [2.3]	12.40	14.50	73	975 [460]	
RCQD-3621 (RGFE-10?ZCM?)	30,800 [9.0]	23,000 [6.7]	7,800 [2.3]	12.20	14.00	73	1,025 [484]	
RCQD-3621 (RGGE-06?MCK?)	30,400 [8.9]	22,250 [6.5]	8,150 [2.4]	12.25	14.50	73	925 [437]	
RCQD-3621 (RGJF-06?MCK?)	30,600 [9.0]	22,800 [6.7]	7,800 [2.3]	12.15	14.00	73	1,025 [484]	
RCQD-3621 (RGJF-07?MCK?)	30,600 [9.0]	22,800 [6.7]	7,800 [2.3]	12.05	14.00	73	1,025 [484]	
RCQD-3621 (RGJF-09?ZCM?)	30,800 [9.0]	22,950 [6.7]	7,850 [2.3]	12.30	14.50	73	1,025 [484]	
RCQD-3621 (RGJF-10?ZCM?)	31,000 [9.1]	23,350 [6.8]	7,650 [2.2]	12.30	14.50	73	1,050 [495]	
RCQD-3621 (RGPE-05?BMK?)	30,200 [8.8]	22,000 [6.4]	8,200 [2.4]	12.25	14.50	73	900 [425]	
RCQD-3621 (RGPE-07?AMK?)	30,800 [9.0]	22,950 [6.7]	7,850 [2.3]	12.25	14.50	73	1,000 [472]	
RCQD-3621 (RGPE-07?BRQ?)	31,200 [9.1]	23,550 [6.9]	7,650 [2.2]	12.50	14.50	73	1,050 [495]	
RCQD-3621 (RGPE-10?BRM?)	31,200 [9.1]	23,600 [6.9]	7,600 [2.2]	12.60	14.50	73	1,075 [507]	

① Highest sales volume tested combination required by D.O.E. test procedures.

[] Designates Metric Conversions

Performance Data @ AHRI Standard Conditions—Cooling: RANL- (continued)

Model Numbers		80°F [26.5°C] DB/67°F [19.5°C] WB Indoor Air 95°F [35°C] DB Outdoor Air					Sound Rating dB	Indoor CFM [L/s]
Outdoor Unit RANL-	Indoor Coil and/or Air Handler	Total Capacity BTU/H [kW]	Net Sensible BTU/H [kW]	Net Latent BTU/H [kW]	EER	SEER		
Rev. 7/1/10	RCQD-3621 (RGPT-05?BMK?)	30,200 [8.8]	22,000 [6.4]	8,200 [2.4]	12.00	14.50	73	900 [425]
	RCQD-3621 (RGPT-07?AME?)	30,400 [8.9]	22,250 [6.5]	8,150 [2.4]	12.00	14.50	73	925 [437]
	RCQD-3621 (RGPT-07?BRQ?)	31,200 [9.1]	23,500 [6.9]	7,700 [2.3]	12.00	14.50	73	1,050 [495]
	RCQD-3621 (RGPT-10?BRM?)	31,200 [9.1]	23,500 [6.9]	7,700 [2.3]	12.00	14.50	73	1,050 [495]
	ROCA-070E03 (RCQD-3621)	30,800 [9.0]	22,950 [6.7]	7,850 [2.3]	12.00	14.50	73	1,000 [472]
	ROCA-070E04 (RCQD-3621)	30,800 [9.0]	22,950 [6.7]	7,850 [2.3]	12.00	14.50	73	1,000 [472]
	ROLA-070E03 (RCQD-3621)	30,800 [9.0]	22,950 [6.7]	7,850 [2.3]	12.00	14.50	73	975 [460]
	ROLA-070E04 (RCQD-3621)	30,800 [9.0]	22,950 [6.7]	7,850 [2.3]	12.00	14.50	73	975 [460]
	ROLA-115E05 (RCQD-3621)	30,400 [8.9]	22,150 [6.5]	8,250 [2.4]	12.00	14.50	73	900 [425]
	RCQD-3621A* (RGFD-06?MCK?)	30,400 [8.9]	22,650 [6.6]	7,750 [2.3]	11.70	13.50	73	1,000 [472]
	RCQD-3621A* (RGFD-07?MCK?)	30,600 [9.0]	22,800 [6.7]	7,800 [2.3]	11.90	14.00	73	1,000 [472]
	RCQD-3621A* (RGJD-06?MCK?)	30,600 [9.0]	22,800 [6.7]	7,800 [2.3]	12.00	14.00	73	1,000 [472]
	RCQD-3621A* (RGJD-07?MCK?)	30,600 [9.0]	22,800 [6.7]	7,800 [2.3]	11.95	14.00	73	1,025 [484]
	RCQD-3621A* (RGPR-05?BMK?)	30,600 [9.0]	22,800 [6.7]	7,800 [2.3]	11.90	14.00	73	1,000 [472]
	RCQD-3621A* (RGPR-07?AMK?)	30,800 [9.0]	23,000 [6.7]	7,800 [2.3]	12.20	14.00	73	1,000 [472]
	RCQD-3621A* (RGPR-07?BRQ?)	31,000 [9.1]	23,150 [6.8]	7,850 [2.3]	12.55	14.00	73	1,000 [472]
	RCQD-3621A* (RGRM-04?MAE?)	30,400 [8.9]	22,650 [6.6]	7,750 [2.3]	11.70	13.50	73	1,025 [484]
	RCQD-3621A* (RGRM-06?MAE?)	30,600 [9.0]	22,800 [6.7]	7,800 [2.3]	11.90	14.00	73	1,000 [472]
	RCQD-3621A* (RGRM-07?MAE?)	30,200 [8.8]	22,500 [6.6]	7,700 [2.3]	11.45	13.50	73	1,025 [484]
	RCQD-3621A* (RGRM-07?YBG?)	30,400 [8.9]	22,650 [6.6]	7,750 [2.3]	11.80	13.50	73	975 [460]
	RCQD-3624 (RGPT-07?BRQ?)	31,200 [9.1]	23,500 [6.9]	7,700 [2.3]	12.00	14.50	73	1,050 [495]
	RCQD-3624 (RGPT-10?BRM?)	31,400 [9.2]	23,800 [7.0]	7,600 [2.2]	12.00	14.50	73	1,075 [507]
	RCQD-3624 (RGPT-12?ARM?)	31,000 [9.1]	23,100 [6.8]	7,900 [2.3]	12.00	14.50	73	975 [460]
	ROCA-070E03 (RCQD-3624)	30,800 [9.0]	22,950 [6.7]	7,850 [2.3]	12.00	14.50	73	1,000 [472]
	ROCA-070E04 (RCQD-3624)	30,800 [9.0]	22,950 [6.7]	7,850 [2.3]	12.00	14.50	73	1,000 [472]
	ROLA-070E03 (RCQD-3624)	30,800 [9.0]	22,950 [6.7]	7,850 [2.3]	12.00	14.50	73	975 [460]
	ROLA-070E04 (RCQD-3624)	30,800 [9.0]	22,950 [6.7]	7,850 [2.3]	12.00	14.50	73	1,025 [484]
	ROLA-115E05 (RCQD-3624)	30,400 [8.9]	22,150 [6.5]	8,250 [2.4]	12.00	14.50	73	900 [425]
	RCQD-3624A* (RGRM-07?YBG?)	30,600 [9.0]	22,850 [6.7]	7,750 [2.3]	11.85	14.00	73	975 [460]
	RHKL-HM3617 (RCSL-H*3617)	29,400 [8.6]	21,600 [6.3]	7,800 [2.3]	11.90	14.00	73	1,025 [484]
	RHLL-HM3617 (RCSL-H*3617)	29,400 [8.6]	21,550 [6.3]	7,850 [2.3]	12.05	14.00	73	1,000 [472]
	RHSL-HM3017 (RCSL-H*3617)	28,800 [8.4]	20,900 [6.1]	7,900 [2.3]	11.20	13.00	73	950 [448]
	031JAZ	RCFL-H*3617 ①	37,600 [11.0]	25,750 [7.5]	11,850 [3.5]	11.20	13.00	76
RCFL-A*3617		37,600 [11.0]	25,750 [7.5]	11,850 [3.5]	11.20	13.00	76	1,050 [495]
RCFL-A*3617 (RGFE-07?MCK?)		37,800 [11.1]	25,900 [7.6]	11,900 [3.5]	11.55	13.50	76	1,025 [484]
RCFL-A*3617 (RGGD-07?MCK?)		37,800 [11.1]	25,900 [7.6]	11,900 [3.5]	11.60	13.50	76	1,025 [484]
RCFL-A*3617 (RGGE-06?MCK?)		38,000 [11.1]	26,050 [7.6]	11,950 [3.5]	11.75	13.50	76	1,025 [484]
RCFL-A*3617 (RGGE-07?MCK?)		38,000 [11.1]	26,050 [7.6]	11,950 [3.5]	11.70	13.50	76	1,025 [484]
RCFL-A*3617 (RGJF-06?MCK?)		38,500 [11.3]	28,000 [8.2]	10,500 [3.1]	11.55	13.50	76	1,200 [566]
RCFL-A*3617 (RGLE-07?AMK?)		38,500 [11.3]	27,950 [8.2]	10,550 [3.1]	11.75	13.50	76	1,200 [566]
RCFL-A*3617 (RGLR-07?AMK?)		38,000 [11.1]	26,050 [7.6]	11,950 [3.5]	11.85	13.50	76	1,025 [484]
RCFL-A*3617 (RGLT-07?AME?)		38,500 [11.3]	27,300 [8.0]	11,200 [3.3]	11.00	13.00	76	1,200 [566]
RCFL-A*3617 (RGPE-05?BMK?)		38,500 [11.3]	27,350 [8.0]	11,150 [3.3]	11.25	13.00	76	1,200 [566]
RCFL-A*3617 (RGPE-07?AMK?)		38,500 [11.3]	27,450 [8.0]	11,050 [3.2]	11.35	13.00	76	1,225 [578]
RCFL-A*3617 (RGPR-07?AMK?)		38,500 [11.3]	27,350 [8.0]	11,150 [3.3]	11.40	13.00	76	1,200 [566]
RCFL-A*3617 (RGPT-07?AME?)		38,500 [11.3]	27,200 [8.0]	11,300 [3.3]	11.00	13.00	76	1,175 [554]
RCFL-A*3617 (RGRM-04?MAE?)		37,800 [11.1]	25,900 [7.6]	11,900 [3.5]	11.45	13.00	76	1,025 [484]
RCFL-A*3617 (RGRM-07?MAE?)		37,600 [11.0]	25,750 [7.5]	11,850 [3.5]	11.25	13.00	76	1,025 [484]
RCFL-A*3617 (RGRM-09?ZAJ?)		38,500 [11.3]	27,450 [8.0]	11,050 [3.2]	11.40	13.00	76	1,225 [578]
RCFL-A*3617 (RGRM-10?ZAJ?)		38,500 [11.3]	27,100 [7.9]	11,400 [3.3]	11.45	13.00	76	1,150 [543]
ROCA-070E03 (RCFL-A*3617)		38,500 [11.3]	27,350 [8.0]	11,150 [3.3]	11.00	13.00	76	1,200 [566]
ROCA-070E04 (RCFL-A*3617)		38,500 [11.3]	27,350 [8.0]	11,150 [3.3]	11.00	13.00	76	1,200 [566]
ROLA-070E03 (RCFL-A*3617)	38,500 [11.3]	27,150 [8.0]	11,350 [3.3]	11.50	13.50	76	1,175 [554]	

① Highest sales volume tested combination required by D.O.E. test procedures.

[] Designates Metric Conversions

Performance Data @ AHRI Standard Conditions—Cooling: RANL- (continued)

Model Numbers		80°F [26.5°C] DB/67°F [19.5°C] WB Indoor Air 95°F [35°C] DB Outdoor Air					Sound Rating dB	Indoor CFM [L/s]
Outdoor Unit RANL-	Indoor Coil and/or Air Handler	Total Capacity BTU/H [kW]	Net Sensible BTU/H [kW]	Net Latent BTU/H [kW]	EER	SEER		
Rev. 7/1/10	ROLA-070E04 (RCFL-A*3617)	38,500 [11.3]	27,150 [8.0]	11,350 [3.3]	11.50	13.50	76	1,175 [554]
	RCFL-A*3621	37,600 [11.0]	25,750 [7.5]	11,850 [3.5]	11.20	13.00	76	1,050 [495]
	RCFL-A*3621 (RGFD-09?ZCM?)	38,500 [11.3]	27,050 [7.9]	11,450 [3.4]	11.70	13.50	76	1,150 [543]
	RCFL-A*3621 (RGFD-10?ZCM?)	38,500 [11.3]	27,150 [8.0]	11,350 [3.3]	11.55	13.50	76	1,175 [554]
	RCFL-A*3621 (RGFE-07?MCK?)	37,800 [11.1]	25,900 [7.6]	11,900 [3.5]	11.60	13.50	76	1,025 [484]
	RCFL-A*3621 (RGFE-09?ZCM?)	38,500 [11.3]	27,300 [8.0]	11,200 [3.3]	11.55	13.00	76	1,200 [566]
	RCFL-A*3621 (RGFE-10?ZCM?)	38,500 [11.3]	27,450 [8.0]	11,050 [3.2]	11.45	13.00	76	1,225 [578]
	RCFL-A*3621 (RGGD-07?MCK?)	37,800 [11.1]	25,850 [7.6]	11,950 [3.5]	11.65	13.50	76	1,025 [484]
	RCFL-A*3621 (RGGD-09?ZCM?)	38,500 [11.3]	27,150 [8.0]	11,350 [3.3]	11.70	13.50	76	1,175 [554]
	RCFL-A*3621 (RGGD-10?ZCM?)	38,500 [11.3]	27,150 [8.0]	11,350 [3.3]	11.75	13.50	76	1,175 [554]
	RCFL-A*3621 (RGGE-06?MCK?)	38,500 [11.3]	28,000 [8.2]	10,500 [3.1]	11.60	13.50	76	1,200 [566]
	RCFL-A*3621 (RGGE-07?MCK?)	38,000 [11.1]	26,050 [7.6]	11,950 [3.5]	11.75	13.50	76	1,025 [484]
	RCFL-A*3621 (RGGE-09?ZCM?)	39,000 [11.4]	27,900 [8.2]	11,100 [3.3]	11.65	13.50	76	1,225 [578]
	RCFL-A*3621 (RGGE-10?ZCM?)	38,500 [11.3]	27,300 [8.0]	11,200 [3.3]	11.55	13.50	76	1,200 [566]
	RCFL-A*3621 (RGJF-06?MCK?)	38,500 [11.3]	28,000 [8.2]	10,500 [3.1]	11.60	13.50	76	1,200 [566]
	RCFL-A*3621 (RGLE-07?AMK?)	38,500 [11.3]	27,950 [8.2]	10,550 [3.1]	11.80	13.50	76	1,200 [566]
	RCFL-A*3621 (RGLE-10?BRM?)	39,000 [11.4]	28,350 [8.3]	10,650 [3.1]	12.25	14.50	76	1,200 [566]
	RCFL-A*3621 (RGLR-07?AMK?)	38,000 [11.1]	26,000 [7.6]	12,000 [3.5]	11.85	13.50	76	1,025 [484]
	RCFL-A*3621 (RGLR-10?BRM?)	39,000 [11.4]	27,700 [8.1]	11,300 [3.3]	11.90	13.50	76	1,200 [566]
	RCFL-A*3621 (RGLT-07?AME?)	38,500 [11.3]	27,300 [8.0]	11,200 [3.3]	11.50	13.00	76	1,200 [566]
	RCFL-A*3621 (RGLT-07?BRQ?)	39,000 [11.4]	27,750 [8.1]	11,250 [3.3]	11.50	13.50	76	1,200 [566]
	RCFL-A*3621 (RGLT-10?BRM?)	38,500 [11.3]	27,100 [7.9]	11,400 [3.3]	11.50	13.50	76	1,175 [554]
	RCFL-A*3621 (RGPE-05?BMK?)	38,500 [11.3]	27,350 [8.0]	11,150 [3.3]	11.30	13.00	76	1,200 [566]
	RCFL-A*3621 (RGPE-07?AMK?)	38,500 [11.3]	27,450 [8.0]	11,050 [3.2]	11.40	13.00	76	1,225 [578]
	RCFL-A*3621 (RGPE-07?BRQ?)	38,000 [11.1]	25,950 [7.6]	12,050 [3.5]	12.10	14.00	76	1,025 [484]
	RCFL-A*3621 (RGPE-10?BRM?)	38,000 [11.1]	26,000 [7.6]	12,000 [3.5]	12.05	14.00	76	1,075 [507]
	RCFL-A*3621 (RGPR-07?BRQ?)	39,000 [11.4]	27,700 [8.1]	11,300 [3.3]	11.90	13.50	76	1,200 [566]
	RCFL-A*3621 (RGPT-05?BMK?)	37,800 [11.1]	25,900 [7.6]	11,900 [3.5]	11.50	13.50	76	1,075 [507]
	RCFL-A*3621 (RGPT-07?AME?)	38,500 [11.3]	27,350 [8.0]	11,150 [3.3]	11.00	13.00	76	1,200 [566]
	RCFL-A*3621 (RGPT-07?BRQ?)	38,500 [11.3]	27,100 [7.9]	11,400 [3.3]	11.50	13.50	76	1,175 [554]
	RCFL-A*3621 (RGPT-10?BRM?)	39,000 [11.4]	27,600 [8.1]	11,400 [3.3]	11.50	14.00	76	1,175 [554]
	RCFL-A*3621 (RGRM-04?MAE?)	37,800 [11.1]	25,900 [7.6]	11,900 [3.5]	11.50	13.00	76	1,025 [484]
	RCFL-A*3621 (RGRM-07?MAE?)	37,600 [11.0]	25,750 [7.5]	11,850 [3.5]	11.30	13.00	76	1,025 [484]
	RCFL-A*3621 (RGRM-09?ZAJ?)	38,500 [11.3]	27,450 [8.0]	11,050 [3.2]	11.45	13.00	76	1,225 [578]
	RCFL-A*3621 (RGRM-10?ZAJ?)	38,500 [11.3]	27,050 [7.9]	11,450 [3.4]	11.50	13.00	76	1,150 [543]
	RCFL-A*3621 (RGRM-12?RAJ?)	39,000 [11.4]	27,900 [8.2]	11,100 [3.3]	11.65	13.50	76	1,225 [578]
	RCFL-A*3621 (RGTM-07?RBG?)	38,500 [11.3]	27,550 [8.1]	10,950 [3.2]	12.15	14.00	76	1,125 [531]
	RCFL-A*3621 (RGTM-09?ZAJ?)	38,500 [11.3]	27,400 [8.0]	11,100 [3.3]	12.15	14.00	76	1,100 [519]
	ROCA-070E03 (RCFL-A*3621)	38,500 [11.3]	27,300 [8.0]	11,200 [3.3]	11.00	13.00	76	1,200 [566]
	ROCA-070E04 (RCFL-A*3621)	38,500 [11.3]	27,300 [8.0]	11,200 [3.3]	11.00	13.00	76	1,200 [566]
ROLA-070E03 (RCFL-A*3621)	38,500 [11.3]	27,150 [8.0]	11,350 [3.3]	11.50	13.50	76	1,175 [554]	
ROLA-070E04 (RCFL-A*3621)	38,500 [11.3]	27,150 [8.0]	11,350 [3.3]	11.50	13.50	76	1,175 [554]	
RCFL-H*3617 (RGFE-07?MCK?)	37,800 [11.1]	25,900 [7.6]	11,900 [3.5]	11.55	13.50	76	1,025 [484]	
RCFL-H*3617 (RGGD-07?MCK?)	37,800 [11.1]	25,900 [7.6]	11,900 [3.5]	11.60	13.50	76	1,025 [484]	
RCFL-H*3617 (RGGE-06?MCK?)	38,500 [11.3]	28,000 [8.2]	10,500 [3.1]	11.55	13.50	76	1,200 [566]	
RCFL-H*3617 (RGGE-07?MCK?)	38,000 [11.1]	26,050 [7.6]	11,950 [3.5]	11.70	13.50	76	1,025 [484]	
RCFL-H*3617 (RGJD-07?MCK?)	37,800 [11.1]	25,900 [7.6]	11,900 [3.5]	11.60	13.50	76	1,025 [484]	
RCFL-H*3617 (RGJF-06?MCK?)	38,500 [11.3]	28,000 [8.2]	10,500 [3.1]	11.55	13.50	76	1,200 [566]	
RCFL-H*3617 (RGJF-07?MCK?)	38,500 [11.3]	28,050 [8.2]	10,450 [3.1]	11.50	13.50	76	1,200 [566]	
RCFL-H*3617 (RGLE-07?AMK?)	38,500 [11.3]	27,950 [8.2]	10,550 [3.1]	11.75	13.50	76	1,200 [566]	
RCFL-H*3617 (RGLR-07?AMK?)	38,000 [11.1]	26,050 [7.6]	11,950 [3.5]	11.85	13.50	76	1,025 [484]	
RCFL-H*3617 (RGLT-07?AME?)	38,500 [11.3]	27,300 [8.0]	11,200 [3.3]	11.50	13.00	76	1,200 [566]	
RCFL-H*3617 (RGPE-05?BMK?)	38,500 [11.3]	28,000 [8.2]	10,500 [3.1]	11.50	13.50	76	1,200 [566]	

① Highest sales volume tested combination required by D.O.E. test procedures.

[] Designates Metric Conversions

Performance Data @ AHRI Standard Conditions—Cooling: RANL- (continued)

Model Numbers		80°F [26.5°C] DB/67°F [19.5°C] WB Indoor Air 95°F [35°C] DB Outdoor Air					Sound Rating dB	Indoor CFM [L/s]
Outdoor Unit RANL-	Indoor Coil and/or Air Handler	Total Capacity BTU/H [kW]	Net Sensible BTU/H [kW]	Net Latent BTU/H [kW]	EER	SEER		
Rev. 7/1/10	RCFL-H*3617 (RGPE-07?AMK?)	38,500 [11.3]	27,450 [8.0]	11,050 [3.2]	11.35	13.00	76	1,225 [578]
	RCFL-H*3617 (RGPR-07?AMK?)	38,500 [11.3]	27,350 [8.0]	11,150 [3.3]	11.40	13.00	76	1,200 [566]
	RCFL-H*3617 (RGPT-07?AME?)	38,500 [11.3]	27,200 [8.0]	11,300 [3.3]	11.00	13.00	76	1,175 [554]
	RCFL-H*3617 (RGRM-04?MAE?)	37,800 [11.1]	25,900 [7.6]	11,900 [3.5]	11.45	13.00	76	1,025 [484]
	RCFL-H*3617 (RGRM-07?MAE?)	37,600 [11.0]	25,750 [7.5]	11,850 [3.5]	11.25	13.00	76	1,025 [484]
	RCFL-H*3617 (RGRM-09?ZAJ?)	38,500 [11.3]	27,450 [8.0]	11,050 [3.2]	11.40	13.00	76	1,225 [578]
	RCFL-H*3617 (RGRM-10?ZAJ?)	38,500 [11.3]	27,100 [7.9]	11,400 [3.3]	11.45	13.00	76	1,150 [543]
	ROCA-070E03 (RCFL-H*3617)	38,500 [11.3]	27,350 [8.0]	11,150 [3.3]	11.00	13.00	76	1,200 [566]
	ROCA-070E04 (RCFL-H*3617)	38,500 [11.3]	27,350 [8.0]	11,150 [3.3]	11.00	13.00	76	1,200 [566]
	ROLA-070E03 (RCFL-H*3617)	38,500 [11.3]	27,150 [8.0]	11,350 [3.3]	11.50	13.50	76	1,175 [554]
	ROLA-070E04 (RCFL-H*3617)	38,500 [11.3]	27,150 [8.0]	11,350 [3.3]	11.50	13.50	76	1,175 [554]
	RCFL-H*3621	37,600 [11.0]	25,750 [7.5]	11,850 [3.5]	11.20	13.00	76	1,050 [495]
	RCFL-H*3621 (RGFD-09?ZCM?)	38,500 [11.3]	27,050 [7.9]	11,450 [3.4]	11.70	13.50	76	1,150 [543]
	RCFL-H*3621 (RGFD-10?ZCM?)	38,500 [11.3]	27,150 [8.0]	11,350 [3.3]	11.55	13.50	76	1,175 [554]
	RCFL-H*3621 (RGFE-07?MCK?)	37,800 [11.1]	25,900 [7.6]	11,900 [3.5]	11.60	13.50	76	1,025 [484]
	RCFL-H*3621 (RGFE-09?ZCM?)	38,500 [11.3]	27,300 [8.0]	11,200 [3.3]	11.55	13.00	76	1,200 [566]
	RCFL-H*3621 (RGFE-10?ZCM?)	38,500 [11.3]	27,450 [8.0]	11,050 [3.2]	11.45	13.00	76	1,225 [578]
	RCFL-H*3621 (RGGD-07?MCK?)	37,800 [11.1]	25,850 [7.6]	11,950 [3.5]	11.65	13.50	76	1,025 [484]
	RCFL-H*3621 (RGGD-09?ZCM?)	38,500 [11.3]	27,150 [8.0]	11,350 [3.3]	11.70	13.50	76	1,175 [554]
	RCFL-H*3621 (RGGD-10?ZCM?)	38,500 [11.3]	27,150 [8.0]	11,350 [3.3]	11.75	13.50	76	1,175 [554]
	RCFL-H*3621 (RGGE-06?MCK?)	38,500 [11.3]	28,000 [8.2]	10,500 [3.1]	11.60	13.50	76	1,200 [566]
	RCFL-H*3621 (RGGE-07?MCK?)	38,000 [11.1]	26,050 [7.6]	11,950 [3.5]	11.75	13.50	76	1,025 [484]
	RCFL-H*3621 (RGGE-09?ZCM?)	39,000 [11.4]	27,900 [8.2]	11,100 [3.3]	11.65	13.50	76	1,225 [578]
	RCFL-H*3621 (RGGE-10?ZCM?)	38,500 [11.3]	27,300 [8.0]	11,200 [3.3]	11.55	13.50	76	1,200 [566]
	RCFL-H*3621 (RGJD-07?MCK?)	37,800 [11.1]	25,850 [7.6]	11,950 [3.5]	11.65	13.50	76	1,025 [484]
	RCFL-H*3621 (RGJD-09?ZCM?)	38,500 [11.3]	27,150 [8.0]	11,350 [3.3]	11.70	13.50	76	1,175 [554]
	RCFL-H*3621 (RGJD-10?ZCM?)	38,500 [11.3]	27,150 [8.0]	11,350 [3.3]	11.75	13.50	76	1,175 [554]
	RCFL-H*3621 (RGJF-06?MCK?)	38,500 [11.3]	28,000 [8.2]	10,500 [3.1]	11.60	13.50	76	1,200 [566]
	RCFL-H*3621 (RGJF-07?MCK?)	38,500 [11.3]	28,000 [8.2]	10,500 [3.1]	11.50	13.50	76	1,200 [566]
	RCFL-H*3621 (RGJF-09?ZCM?)	39,000 [11.4]	27,900 [8.2]	11,100 [3.3]	11.65	13.50	76	1,225 [578]
	RCFL-H*3621 (RGJF-10?ZCM?)	38,500 [11.3]	27,950 [8.2]	10,550 [3.1]	11.85	13.50	76	1,200 [566]
	RCFL-H*3621 (RGLE-07?AMK?)	38,500 [11.3]	27,950 [8.2]	10,550 [3.1]	11.80	13.50	76	1,200 [566]
	RCFL-H*3621 (RGLE-10?BRM?)	39,000 [11.4]	28,350 [8.3]	10,650 [3.1]	12.25	14.50	76	1,200 [566]
RCFL-H*3621 (RGLR-07?AMK?)	38,000 [11.1]	26,000 [7.6]	12,000 [3.5]	11.85	13.50	76	1,025 [484]	
RCFL-H*3621 (RGLR-10?BRM?)	39,000 [11.4]	27,700 [8.1]	11,300 [3.3]	11.90	13.50	76	1,200 [566]	
RCFL-H*3621 (RGLT-07?AME?)	38,500 [11.3]	27,300 [8.0]	11,200 [3.3]	11.55	13.00	76	1,200 [566]	
RCFL-H*3621 (RGLT-07?BRQ?)	39,000 [11.4]	27,750 [8.1]	11,250 [3.3]	11.50	13.50	76	1,200 [566]	
RCFL-H*3621 (RGLT-10?BRM?)	38,500 [11.3]	27,100 [7.9]	11,400 [3.3]	11.50	13.50	76	1,175 [554]	
RCFL-H*3621 (RGPE-05?BMK?)	38,500 [11.3]	28,000 [8.2]	10,500 [3.1]	11.60	13.50	76	1,200 [566]	
RCFL-H*3621 (RGPE-07?AMK?)	38,500 [11.3]	27,450 [8.0]	11,050 [3.2]	11.40	13.00	76	1,225 [578]	
RCFL-H*3621 (RGPE-07?BRQ?)	38,000 [11.1]	25,950 [7.6]	12,050 [3.5]	12.10	14.00	76	1,025 [484]	
RCFL-H*3621 (RGPE-10?BRM?)	38,000 [11.1]	26,000 [7.6]	12,000 [3.5]	12.05	14.00	76	1,075 [507]	
RCFL-H*3621 (RGPR-07?AMK?)	38,500 [11.3]	27,300 [8.0]	11,200 [3.3]	11.45	13.00	76	1,200 [566]	
RCFL-H*3621 (RGPR-07?BRQ?)	39,000 [11.4]	27,700 [8.1]	11,300 [3.3]	11.90	13.50	76	1,200 [566]	
RCFL-H*3621 (RGPT-05?BMK?)	37,800 [11.1]	25,900 [7.6]	11,900 [3.5]	11.50	13.50	76	1,075 [507]	
RCFL-H*3621 (RGPT-07?AME?)	38,500 [11.3]	27,350 [8.0]	11,150 [3.3]	11.40	13.00	76	1,200 [566]	
RCFL-H*3621 (RGPT-07?BRQ?)	38,500 [11.3]	27,100 [7.9]	11,400 [3.3]	11.50	13.50	76	1,175 [554]	
RCFL-H*3621 (RGPT-10?BRM?)	39,000 [11.4]	27,600 [8.1]	11,400 [3.3]	11.50	14.00	76	1,175 [554]	
RCFL-H*3621 (RGRM-04?MAE?)	37,800 [11.1]	25,900 [7.6]	11,900 [3.5]	11.50	13.00	76	1,025 [484]	
RCFL-H*3621 (RGRM-07?MAE?)	37,600 [11.0]	25,750 [7.5]	11,850 [3.5]	11.30	13.00	76	1,025 [484]	
RCFL-H*3621 (RGRM-09?ZAJ?)	38,500 [11.3]	27,450 [8.0]	11,050 [3.2]	11.45	13.00	76	1,225 [578]	
RCFL-H*3621 (RGRM-10?ZAJ?)	38,500 [11.3]	27,050 [7.9]	11,450 [3.4]	11.50	13.00	76	1,150 [543]	
RCFL-H*3621 (RGRM-12?RAJ?)	39,000 [11.4]	27,900 [8.2]	11,100 [3.3]	11.65	13.50	76	1,225 [578]	

① Highest sales volume tested combination required by D.O.E. test procedures.

[] Designates Metric Conversions

Performance Data @ AHRI Standard Conditions—Cooling: RANL- (continued)

Model Numbers		80°F [26.5°C] DB/67°F [19.5°C] WB Indoor Air 95°F [35°C] DB Outdoor Air					Sound Rating dB	Indoor CFM [L/s]
Outdoor Unit RANL-	Indoor Coil and/or Air Handler	Total Capacity BTU/H [kW]	Net Sensible BTU/H [kW]	Net Latent BTU/H [kW]	EER	SEER		
Rev. 7/1/10	RCFL-H*3621 (RGTM-07?RBG?)	38,500 [11.3]	27,550 [8.1]	10,950 [3.2]	12.15	14.00	76	1,125 [531]
	RCFL-H*3621 (RGTM-09?ZAJ?)	38,500 [11.3]	27,400 [8.0]	11,100 [3.3]	12.15	14.00	76	1,100 [519]
037CAZ/ DAZ/JAZ	ROCA-070E03 (RCFL-H*3621)	38,500 [11.3]	27,300 [8.0]	11,200 [3.3]	11.00	13.00	76	1,200 [566]
	ROCA-070E04 (RCFL-H*3621)	38,500 [11.3]	27,300 [8.0]	11,200 [3.3]	11.00	13.00	76	1,200 [566]
	ROLA-070E03 (RCFL-H*3621)	38,500 [11.3]	27,150 [8.0]	11,350 [3.3]	11.50	13.50	76	1,175 [554]
	ROLA-070E04 (RCFL-H*3621)	38,500 [11.3]	27,150 [8.0]	11,350 [3.3]	11.50	13.50	76	1,175 [554]
	RBHP-21 (RCHL-36A1)	38,000 [11.1]	25,800 [7.6]	12,200 [3.6]	11.65	14.00	76	1,200 [566]
	RCQD-3621 (RGFE-06?MCK?)	39,500 [11.6]	28,200 [8.3]	11,300 [3.3]	11.35	13.50	76	1,200 [566]
	RCQD-3621 (RGFE-07?MCK?)	39,500 [11.6]	28,200 [8.3]	11,300 [3.3]	11.20	13.00	76	1,225 [578]
	RCQD-3621 (RGFE-09?ZCM?)	40,000 [11.7]	28,600 [8.4]	11,400 [3.3]	11.85	14.00	76	1,200 [566]
	RCQD-3621 (RGFE-10?ZCM?)	40,000 [11.7]	28,600 [8.4]	11,400 [3.3]	11.80	14.00	76	1,225 [578]
	RCQD-3621 (RGJF-06?MCK?)	39,500 [11.6]	28,150 [8.2]	11,350 [3.3]	11.65	13.50	76	1,200 [566]
	RCQD-3621 (RGJF-07?MCK?)	39,500 [11.6]	28,150 [8.2]	11,350 [3.3]	11.50	13.50	76	1,200 [566]
	RCQD-3621 (RGJF-09?ZCM?)	40,000 [11.7]	28,550 [8.4]	11,450 [3.4]	11.95	14.00	76	1,225 [578]
	RCQD-3621 (RGJF-10?ZCM?)	40,000 [11.7]	28,550 [8.4]	11,450 [3.4]	11.90	14.00	76	1,200 [566]
	RCQD-3621 (RGPE-05?BMK?)	39,500 [11.6]	28,150 [8.2]	11,350 [3.3]	11.60	13.50	76	1,200 [566]
	RCQD-3621 (RGPE-07?AMK?)	40,000 [11.7]	28,600 [8.4]	11,400 [3.3]	11.70	13.50	76	1,225 [578]
	RCQD-3621 (RGPE-07?BRQ?)	40,000 [11.7]	28,500 [8.4]	11,500 [3.4]	12.10	14.50	76	1,225 [578]
	RCQD-3621 (RGPE-10?BRM?)	39,500 [11.6]	27,350 [8.0]	12,150 [3.6]	12.25	14.50	76	1,075 [507]
	RCQD-3621 (RGPT-05?BMK?)	40,000 [11.7]	28,950 [8.5]	11,050 [3.2]	11.00	13.50	76	1,250 [590]
	RCQD-3621 (RGPT-07?AME?)	40,000 [11.7]	28,900 [8.5]	11,100 [3.3]	11.50	13.50	76	1,250 [590]
	RCQD-3621 (RGPT-07?BRQ?)	40,500 [11.9]	29,250 [8.6]	11,250 [3.3]	12.00	14.50	76	1,250 [590]
	RCQD-3621 (RGPT-10?BRM?)	40,500 [11.9]	29,250 [8.6]	11,250 [3.3]	12.00	14.50	76	1,250 [590]
	ROCA-070E03 (RCQD-3621)	40,000 [11.7]	28,600 [8.4]	11,400 [3.3]	11.50	14.00	76	1,200 [566]
	ROCA-070E04 (RCQD-3621)	40,000 [11.7]	28,600 [8.4]	11,400 [3.3]	11.50	14.00	76	1,200 [566]
	ROLA-070E03 (RCQD-3621)	40,000 [11.7]	28,550 [8.4]	11,450 [3.4]	11.50	14.00	76	1,175 [554]
	ROLA-070E04 (RCQD-3621)	40,000 [11.7]	28,550 [8.4]	11,450 [3.4]	11.50	14.00	76	1,175 [554]
	ROLA-115E05 (RCQD-3621)	40,000 [11.7]	28,500 [8.4]	11,500 [3.4]	12.00	14.50	76	1,200 [566]
	RCQD-3621A*	38,500 [11.3]	27,450 [8.0]	11,050 [3.2]	11.05	13.00	76	1,200 [566]
	RCQD-3621A* (RGFD-09?ZCM?)	39,500 [11.6]	27,800 [8.1]	11,700 [3.4]	11.95	14.00	76	1,150 [543]
	RCQD-3621A* (RGFD-10?ZCM?)	40,000 [11.7]	28,550 [8.4]	11,450 [3.4]	11.90	14.00	76	1,175 [554]
	RCQD-3621A* (RGJD-06?MCK?)	39,500 [11.6]	28,200 [8.3]	11,300 [3.3]	11.40	13.50	76	1,225 [578]
	RCQD-3621A* (RGJD-09?ZCM?)	40,000 [11.7]	28,550 [8.4]	11,450 [3.4]	12.00	14.00	76	1,175 [554]
	RCQD-3621A* (RGJD-10?ZCM?)	40,000 [11.7]	28,550 [8.4]	11,450 [3.4]	12.05	14.00	76	1,175 [554]
	RCQD-3621A* (RGPR-05?BMK?)	39,500 [11.6]	28,200 [8.3]	11,300 [3.3]	11.35	13.50	76	1,200 [566]
	RCQD-3621A* (RGPR-07?AMK?)	40,000 [11.7]	28,600 [8.4]	11,400 [3.3]	11.75	13.50	76	1,200 [566]
	RCQD-3621A* (RGPR-07?BRQ?)	40,000 [11.7]	28,500 [8.4]	11,500 [3.4]	12.15	14.00	76	1,200 [566]
	RCQD-3621A* (RGPR-10?BRM?)	40,000 [11.7]	28,550 [8.4]	11,450 [3.4]	12.00	14.00	76	1,225 [578]
	RCQD-3621A* (RGRM-04?MAE?)	39,500 [11.6]	28,250 [8.3]	11,250 [3.3]	11.20	13.00	76	1,200 [566]
	RCQD-3621A* (RGRM-06?MAE?)	39,500 [11.6]	28,200 [8.3]	11,300 [3.3]	11.25	13.00	76	1,175 [554]
	RCQD-3621A* (RGRM-07?MAE?)	38,500 [11.3]	26,300 [7.7]	12,200 [3.6]	11.40	13.50	76	1,025 [484]
	RCQD-3621A* (RGRM-07?YBG?)	39,500 [11.6]	28,250 [8.3]	11,250 [3.3]	11.10	13.00	76	1,200 [566]
RCQD-3621A* (RGRM-09?ZAJ?)	40,500 [11.9]	30,250 [8.9]	10,250 [3.0]	11.25	13.00	76	1,400 [661]	
RCQD-3621A* (RGRM-10?ZAJ?)	39,500 [11.6]	27,850 [8.2]	11,650 [3.4]	11.75	14.00	76	1,150 [543]	
RCQD-3621A* (RGRM-12?RAJ?)	40,000 [11.7]	28,550 [8.4]	11,450 [3.4]	11.90	14.00	76	1,225 [578]	
RCQD-3624 (RGPT-07?BRQ?)	40,500 [11.9]	29,400 [8.6]	11,100 [3.3]	12.00	14.50	76	1,275 [602]	
RCQD-3624 (RGPT-10?BRM?)	40,500 [11.9]	29,400 [8.6]	11,100 [3.3]	12.00	14.50	76	1,275 [602]	
RCQD-3624 (RGPT-12?ARM?)	40,500 [11.9]	28,950 [8.5]	11,550 [3.4]	12.00	14.50	76	1,225 [578]	
ROCA-070E03 (RCQD-3624)	40,000 [11.7]	28,550 [8.4]	11,450 [3.4]	11.50	14.00	76	1,200 [566]	
ROCA-070E04 (RCQD-3624)	40,000 [11.7]	28,550 [8.4]	11,450 [3.4]	11.50	14.00	76	1,200 [566]	
ROLA-070E03 (RCQD-3624)	40,000 [11.7]	28,500 [8.4]	11,500 [3.4]	12.00	14.50	76	1,175 [554]	
ROLA-070E04 (RCQD-3624)	40,000 [11.7]	28,500 [8.4]	11,500 [3.4]	12.00	14.50	76	1,175 [554]	
ROLA-115E05 (RCQD-3624)	40,000 [11.7]	28,500 [8.4]	11,500 [3.4]	12.00	14.50	76	1,200 [566]	

① Highest sales volume tested combination required by D.O.E. test procedures.

[] Designates Metric Conversions

Performance Data @ AHRI Standard Conditions—Cooling: RANL- (continued)

Model Numbers		80°F [26.5°C] DB/67°F [19.5°C] WB Indoor Air 95°F [35°C] DB Outdoor Air					Sound Rating dB	Indoor CFM [L/s]
Outdoor Unit RANL-	Indoor Coil and/or Air Handler	Total Capacity BTU/H [kW]	Net Sensible BTU/H [kW]	Net Latent BTU/H [kW]	EER	SEER		
Rev. 7/1/10	RCQD-3624A*	38,500 [11.3]	27,450 [8.0]	11,050 [3.2]	11.05	13.00	76	1,200 [566]
	RCQD-3624A* (RGFD-09?ZCM?)	39,500 [11.6]	27,800 [8.1]	11,700 [3.4]	11.95	14.00	76	1,150 [543]
	RCQD-3624A* (RGFD-10?ZCM?)	40,000 [11.7]	28,550 [8.4]	11,450 [3.4]	11.90	14.00	76	1,175 [554]
	RCQD-3624A* (RGFD-12?RCM?)	40,000 [11.7]	28,550 [8.4]	11,450 [3.4]	11.95	14.00	76	1,225 [578]
	RCQD-3624A* (RGJD-07?MCK?)	39,500 [11.6]	28,200 [8.3]	11,300 [3.3]	11.30	13.00	76	1,225 [578]
	RCQD-3624A* (RGJD-09?ZCM?)	40,000 [11.7]	28,550 [8.4]	11,450 [3.4]	12.00	14.00	76	1,175 [554]
	RCQD-3624A* (RGJD-10?ZCM?)	40,000 [11.7]	28,550 [8.4]	11,450 [3.4]	12.05	14.00	76	1,175 [554]
	RCQD-3624A* (RGJD-12?RCM?)	40,000 [11.7]	28,550 [8.4]	11,450 [3.4]	12.10	14.00	76	1,225 [578]
	RCQD-3624A* (RGPR-05?BMK?)	39,500 [11.6]	28,200 [8.3]	11,300 [3.3]	11.35	13.50	76	1,200 [566]
	RCQD-3624A* (RGPR-07?AMK?)	40,000 [11.7]	28,600 [8.4]	11,400 [3.3]	11.75	13.50	76	1,200 [566]
	RCQD-3624A* (RGPR-07?BRQ?)	40,000 [11.7]	28,500 [8.4]	11,500 [3.4]	12.15	14.00	76	1,200 [566]
	RCQD-3624A* (RGPR-10?BRM?)	40,000 [11.7]	28,550 [8.4]	11,450 [3.4]	12.00	14.00	76	1,225 [578]
	RCQD-3624A* (RGPR-12?ARM?)	40,500 [11.9]	29,300 [8.6]	11,200 [3.3]	12.15	14.00	76	1,250 [590]
	RCQD-3624A* (RGRM-07?YBG?)	39,500 [11.6]	28,250 [8.3]	11,250 [3.3]	11.15	13.00	76	1,200 [566]
	RCQD-3624A* (RGRM-09?ZAJ?)	40,000 [11.7]	28,600 [8.4]	11,400 [3.3]	11.70	13.50	76	1,225 [578]
	RCQD-3624A* (RGRM-10?ZAJ?)	39,500 [11.6]	27,850 [8.2]	11,650 [3.4]	11.80	14.00	76	1,150 [543]
	RCQD-3624A* (RGRM-12?RAJ?)	40,000 [11.7]	28,550 [8.4]	11,450 [3.4]	11.95	14.00	76	1,225 [578]
	RHKL-HM3617 (RCSL-H*3617)	39,000 [11.4]	27,700 [8.1]	11,300 [3.3]	11.95	14.00	76	1,200 [566]
	RHLL-HM3617 (RCSL-H*3617)	39,000 [11.4]	27,700 [8.1]	11,300 [3.3]	11.95	14.00	76	1,200 [566]
	RHSL-HM3617 (RCSL-H*3617)	37,800 [11.1]	26,200 [7.7]	11,600 [3.4]	11.20	13.00	76	1,100 [519]
RHSL-HM3621 (RCSL-H*3621)	37,800 [11.1]	26,200 [7.7]	11,600 [3.4]	11.20	13.00	76	1,100 [519]	
037CAZ/ DAZ/JAZ	RCFL-H*4821 ①	41,500 [12.2]	29,700 [8.7]	11,800 [3.5]	10.90	13.00	76	1,400 [661]
	RCFL-A*4821 (RGFD-09?ZCM?)	41,500 [12.2]	29,200 [8.6]	12,300 [3.6]	11.20	13.00	76	1,325 [625]
	RCFL-A*4821 (RGFD-10?ZCM?)	41,500 [12.2]	29,250 [8.6]	12,250 [3.6]	11.05	13.00	76	1,325 [625]
	RCFL-A*4821 (RGFE-09?ZCM?)	41,500 [12.2]	29,700 [8.7]	11,800 [3.5]	11.05	13.00	76	1,400 [661]
	RCFL-A*4821 (RGFE-10?ZCM?)	41,000 [12.0]	28,100 [8.2]	12,900 [3.8]	11.35	13.00	76	1,225 [578]
	RCFL-A*4821 (RGGD-09?ZCM?)	41,500 [12.2]	29,650 [8.7]	11,850 [3.5]	11.15	13.00	76	1,425 [672]
	RCFL-A*4821 (RGGD-10?ZCM?)	41,500 [12.2]	29,650 [8.7]	11,850 [3.5]	11.15	13.00	76	1,425 [672]
	RCFL-A*4821 (RGGE-06?MCK?)	41,000 [12.0]	28,050 [8.2]	12,950 [3.8]	11.15	13.00	76	1,200 [566]
	RCFL-A*4821 (RGGE-07?MCK?)	40,500 [11.9]	27,550 [8.1]	12,950 [3.8]	11.05	13.00	76	1,200 [566]
	RCFL-A*4821 (RGGE-09?ZCM?)	41,500 [12.2]	29,650 [8.7]	11,850 [3.5]	11.20	13.00	76	1,400 [661]
	RCFL-A*4821 (RGGE-10?ZCM?)	41,500 [12.2]	29,650 [8.7]	11,850 [3.5]	11.10	13.00	76	1,400 [661]
	RCFL-A*4821 (RGLE-07?AMK?)	41,000 [12.0]	28,000 [8.2]	13,000 [3.8]	11.30	13.00	76	1,200 [566]
	RCFL-A*4821 (RGLE-10?BRM?)	41,500 [12.2]	28,400 [8.3]	13,100 [3.8]	11.75	14.00	76	1,200 [566]
	RCFL-A*4821 (RGLR-07?BRQ?)	42,000 [12.3]	30,100 [8.8]	11,900 [3.5]	11.40	13.50	76	1,425 [672]
	RCFL-A*4821 (RGLR-10?BRM?)	42,000 [12.3]	30,050 [8.8]	11,950 [3.5]	11.55	13.50	76	1,375 [649]
	RCFL-A*4821 (RGLT-07?AME?)	41,500 [12.2]	29,400 [8.6]	12,100 [3.5]	11.00	13.00	76	1,350 [637]
	RCFL-A*4821 (RGLT-07?BRQ?)	42,000 [12.3]	30,350 [8.9]	11,650 [3.4]	11.00	13.50	76	1,450 [684]
	RCFL-A*4821 (RGLT-10?BRM?)	42,000 [12.3]	30,100 [8.8]	11,900 [3.5]	11.00	13.50	76	1,425 [672]
	RCFL-A*4821 (RGPE-05?BMK?)	41,000 [12.0]	28,050 [8.2]	12,950 [3.8]	11.15	13.00	76	1,200 [566]
	RCFL-A*4821 (RGPE-07?AMK?)	41,000 [12.0]	28,150 [8.2]	12,850 [3.8]	11.25	13.00	76	1,225 [578]
	RCFL-A*4821 (RGPE-07?BRQ?)	42,000 [12.3]	30,100 [8.8]	11,900 [3.5]	11.45	13.50	76	1,400 [661]
	RCFL-A*4821 (RGPE-10?BRM?)	42,000 [12.3]	30,100 [8.8]	11,900 [3.5]	11.45	13.50	76	1,400 [661]
	RCFL-A*4821 (RGPR-07?BRQ?)	42,000 [12.3]	30,050 [8.8]	11,950 [3.5]	11.50	13.50	76	1,400 [661]
	RCFL-A*4821 (RGPR-10?BRM?)	42,000 [12.3]	30,100 [8.8]	11,900 [3.5]	11.30	13.00	76	1,425 [672]
	RCFL-A*4821 (RGPT-05?BMK?)	41,000 [12.0]	28,200 [8.3]	12,800 [3.8]	11.00	13.00	76	1,225 [578]
	RCFL-A*4821 (RGPT-07?AME?)	41,000 [12.0]	28,300 [8.3]	12,700 [3.7]	11.00	13.00	76	1,250 [590]
	RCFL-A*4821 (RGPT-07?BRQ?)	41,500 [12.2]	28,650 [8.4]	12,850 [3.8]	11.50	14.00	76	1,250 [590]
	RCFL-A*4821 (RGPT-10?BRM?)	42,000 [12.3]	30,050 [8.8]	11,950 [3.5]	11.00	13.50	76	1,425 [672]
	RCFL-A*4821 (RGRM-09?ZAJ?)	41,000 [12.0]	28,150 [8.2]	12,850 [3.8]	11.25	13.00	76	1,225 [578]
	RCFL-A*4821 (RGRM-10?ZAJ?)	40,500 [11.9]	27,250 [8.0]	13,250 [3.9]	11.30	13.00	76	1,150 [543]
	RCFL-A*4821 (RGRM-12?RAJ?)	41,500 [12.2]	29,650 [8.7]	11,850 [3.5]	11.15	13.00	76	1,425 [672]
	RCFL-A*4821 (RGTM-06?MAE?)	41,000 [12.0]	28,100 [8.2]	12,900 [3.8]	11.05	13.00	76	1,225 [578]

① Highest sales volume tested combination required by D.O.E. test procedures.

[] Designates Metric Conversions

Performance Data @ AHRI Standard Conditions—Cooling: RANL- (continued)

Model Numbers		80°F [26.5°C] DB/67°F [19.5°C] WB Indoor Air 95°F [35°C] DB Outdoor Air					Sound Rating dB	Indoor CFM [L/s]
Outdoor Unit RANL-	Indoor Coil and/or Air Handler	Total Capacity BTU/H [kW]	Net Sensible BTU/H [kW]	Net Latent BTU/H [kW]	EER	SEER		
Rev. 7/1/10	RCFL-A*4821 (RGTM-07?RBG?)	41,500 [12.2]	29,000 [8.5]	12,500 [3.7]	11.55	13.50	76	1,325 [625]
	RCFL-A*4821 (RGTM-09?ZAJ?)	41,500 [12.2]	28,600 [8.4]	12,900 [3.8]	11.60	14.00	76	1,250 [590]
	ROCA-070E03 (RCFL-A*4821)	41,000 [12.0]	28,000 [8.2]	13,000 [3.8]	11.00	13.00	76	1,200 [566]
	ROCA-070E04 (RCFL-A*4821)	41,000 [12.0]	28,000 [8.2]	13,000 [3.8]	11.00	13.00	76	1,200 [566]
	ROLA-070E03 (RCFL-A*4821)	41,000 [12.0]	27,800 [8.1]	13,200 [3.9]	11.00	13.50	76	1,175 [554]
	ROLA-070E04 (RCFL-A*4821)	42,000 [12.3]	30,100 [8.8]	11,900 [3.5]	11.00	13.50	76	1,375 [649]
	ROLA-115E05 (RCFL-A*4821)	41,000 [12.0]	27,900 [8.2]	13,100 [3.8]	11.50	13.50	76	1,200 [566]
	RCFL-A*4824	41,500 [12.2]	29,700 [8.7]	11,800 [3.5]	10.90	13.00	76	1,400 [661]
	RCFL-A*4824 (RGFD-09?ZCM?)	41,500 [12.2]	29,250 [8.6]	12,250 [3.6]	11.15	13.00	76	1,325 [625]
	RCFL-A*4824 (RGFD-10?ZCM?)	41,000 [12.0]	28,750 [8.4]	12,250 [3.6]	11.05	13.00	76	1,325 [625]
	RCFL-A*4824 (RGFD-12?RCM?)	42,000 [12.3]	30,600 [9.0]	11,400 [3.3]	11.15	13.00	76	1,475 [696]
	RCFL-A*4824 (RGFE-09?ZCM?)	42,500 [12.5]	30,450 [8.9]	12,050 [3.5]	11.10	13.00	76	1,400 [661]
	RCFL-A*4824 (RGFE-10?ZCM?)	42,500 [12.5]	30,450 [8.9]	12,050 [3.5]	10.95	13.00	76	1,425 [672]
	RCFL-A*4824 (RGFE-12?RCM?)	42,000 [12.3]	28,800 [8.4]	13,200 [3.9]	11.60	14.00	76	1,225 [578]
	RCFL-A*4824 (RGGD-09?ZCM?)	41,500 [12.2]	29,650 [8.7]	11,850 [3.5]	11.15	13.00	76	1,425 [672]
	RCFL-A*4824 (RGGD-10?ZCM?)	41,500 [12.2]	29,650 [8.7]	11,850 [3.5]	11.15	13.00	76	1,425 [672]
	RCFL-A*4824 (RGGD-12?RCM?)	42,000 [12.3]	30,400 [8.9]	11,600 [3.4]	11.40	13.50	76	1,450 [684]
	RCFL-A*4824 (RGGE-09?ZCM?)	42,500 [12.5]	30,400 [8.9]	12,100 [3.5]	11.25	13.00	76	1,400 [661]
	RCFL-A*4824 (RGGE-10?ZCM?)	42,500 [12.5]	30,450 [8.9]	12,050 [3.5]	11.10	13.00	76	1,400 [661]
	RCFL-A*4824 (RGGE-12?RCM?)	42,000 [12.3]	28,650 [8.4]	13,350 [3.9]	11.70	14.00	76	1,200 [566]
	RCFL-A*4824 (RGLE-10?BRM?)	42,000 [12.3]	28,600 [8.4]	13,400 [3.9]	11.80	14.00	76	1,200 [566]
	RCFL-A*4824 (RGLE-12?ARM?)	42,000 [12.3]	28,750 [8.4]	13,250 [3.9]	11.80	14.00	76	1,225 [578]
	RCFL-A*4824 (RGLR-07?BRQ?)	42,000 [12.3]	30,100 [8.8]	11,900 [3.5]	11.40	13.50	76	1,425 [672]
	RCFL-A*4824 (RGLR-10?BRM?)	42,000 [12.3]	30,050 [8.8]	11,950 [3.5]	11.55	13.50	76	1,375 [649]
	RCFL-A*4824 (RGLR-12?ARM?)	42,000 [12.3]	30,050 [8.8]	11,950 [3.5]	11.50	13.50	76	1,425 [672]
	RCFL-A*4824 (RGLT-07?BRQ?)	42,000 [12.3]	30,350 [8.9]	11,650 [3.4]	11.00	13.50	76	1,450 [684]
	RCFL-A*4824 (RGLT-10?BRM?)	42,000 [12.3]	30,100 [8.8]	11,900 [3.5]	11.00	13.50	76	1,425 [672]
	RCFL-A*4824 (RGLT-12?ARM?)	42,000 [12.3]	30,000 [8.8]	12,000 [3.5]	11.00	13.50	76	1,375 [649]
	RCFL-A*4824 (RGPE-07?BRQ?)	42,000 [12.3]	28,800 [8.4]	13,200 [3.9]	11.70	14.00	76	1,225 [578]
	RCFL-A*4824 (RGPE-10?BRM?)	42,000 [12.3]	28,750 [8.4]	13,250 [3.9]	11.75	14.00	76	1,225 [578]
	RCFL-A*4824 (RGPE-12?ARM?)	42,000 [12.3]	28,600 [8.4]	13,400 [3.9]	11.80	14.00	76	1,200 [566]
	RCFL-A*4824 (RGPR-07?BRQ?)	42,000 [12.3]	30,050 [8.8]	11,950 [3.5]	11.50	13.50	76	1,400 [661]
	RCFL-A*4824 (RGPR-10?BRM?)	42,000 [12.3]	30,100 [8.8]	11,900 [3.5]	11.30	13.00	76	1,425 [672]
	RCFL-A*4824 (RGPR-12?ARM?)	42,000 [12.3]	30,050 [8.8]	11,950 [3.5]	11.50	13.50	76	1,400 [661]
	RCFL-A*4824 (RGPT-07?BRQ?)	41,500 [12.2]	28,650 [8.4]	12,850 [3.8]	11.50	14.00	76	1,250 [590]
	RCFL-A*4824 (RGPT-10?BRM?)	42,000 [12.3]	30,050 [8.8]	11,950 [3.5]	11.00	13.50	76	1,425 [672]
	RCFL-A*4824 (RGPT-12?ARM?)	42,000 [12.3]	30,000 [8.8]	12,000 [3.5]	11.50	14.00	76	1,375 [649]
	RCFL-A*4824 (RGRM-09?ZAJ?)	41,000 [12.0]	28,150 [8.2]	12,850 [3.8]	11.20	13.00	76	1,225 [578]
	RCFL-A*4824 (RGRM-10?ZAJ?)	40,500 [11.9]	27,250 [8.0]	13,250 [3.9]	11.25	13.00	76	1,150 [543]
	RCFL-A*4824 (RGRM-12?RAJ?)	41,500 [12.2]	29,650 [8.7]	11,850 [3.5]	11.15	13.00	76	1,425 [672]
	RCFL-A*4824 (RGTM-07?RBG?)	42,500 [12.5]	29,900 [8.8]	12,600 [3.7]	11.50	13.50	76	1,325 [625]
	RCFL-A*4824 (RGTM-09?ZAJ?)	42,000 [12.3]	28,950 [8.5]	13,050 [3.8]	11.55	13.50	76	1,250 [590]
RCFL-A*4824 (RGTM-10?RBJ?)	42,000 [12.3]	28,800 [8.4]	13,200 [3.9]	11.65	14.00	76	1,225 [578]	
ROCA-070E03 (RCFL-A*4824)	41,000 [12.0]	28,000 [8.2]	13,000 [3.8]	11.00	13.50	76	1,200 [566]	
ROCA-070E04 (RCFL-A*4824)	41,000 [12.0]	28,000 [8.2]	13,000 [3.8]	11.00	13.50	76	1,200 [566]	
ROLA-070E03 (RCFL-A*4824)	41,000 [12.0]	27,800 [8.1]	13,200 [3.9]	11.00	13.50	76	1,175 [554]	
ROLA-070E04 (RCFL-A*4824)	42,000 [12.3]	30,100 [8.8]	11,900 [3.5]	11.00	13.50	76	1,375 [649]	
ROLA-115E05 (RCFL-A*4824)	41,000 [12.0]	27,900 [8.2]	13,100 [3.8]	11.50	13.50	76	1,200 [566]	
RCFL-H*4821 (RGFD-09?ZCM?)	41,500 [12.2]	29,200 [8.6]	12,300 [3.6]	11.20	13.00	76	1,325 [625]	
RCFL-H*4821 (RGFD-10?ZCM?)	41,500 [12.2]	29,250 [8.6]	12,250 [3.6]	11.05	13.00	76	1,325 [625]	
RCFL-H*4821 (RGFE-06?MCK?)	41,500 [12.2]	28,350 [8.3]	13,150 [3.9]	11.00	13.00	76	1,200 [566]	
RCFL-H*4821 (RGFE-09?ZCM?)	42,500 [12.5]	30,450 [8.9]	12,050 [3.5]	11.10	13.00	76	1,400 [661]	
RCFL-H*4821 (RGFE-10?ZCM?)	42,500 [12.5]	30,450 [8.9]	12,050 [3.5]	10.95	13.00	76	1,425 [672]	

① Highest sales volume tested combination required by D.O.E. test procedures.

[] Designates Metric Conversions

Performance Data @ AHRI Standard Conditions—Cooling: RANL- (continued)

Model Numbers		80°F [26.5°C] DB/67°F [19.5°C] WB Indoor Air 95°F [35°C] DB Outdoor Air					Sound Rating dB	Indoor CFM [L/s]
Outdoor Unit RANL-	Indoor Coil and/or Air Handler	Total Capacity BTU/H [kW]	Net Sensible BTU/H [kW]	Net Latent BTU/H [kW]	EER	SEER		
Rev. 7/1/10	RCFL-H*4821 (RGGD-09?ZCM?)	41,500 [12.2]	29,650 [8.7]	11,850 [3.5]	11.15	13.00	76	1,425 [672]
	RCFL-H*4821 (RGGD-10?ZCM?)	41,500 [12.2]	29,650 [8.7]	11,850 [3.5]	11.15	13.00	76	1,425 [672]
	RCFL-H*4821 (RGGE-06?MCK?)	41,500 [12.2]	28,250 [8.3]	13,250 [3.9]	11.20	13.00	76	1,200 [566]
	RCFL-H*4821 (RGGE-07?MCK?)	41,500 [12.2]	28,300 [8.3]	13,200 [3.9]	11.15	13.00	76	1,200 [566]
	RCFL-H*4821 (RGGE-09?ZCM?)	42,500 [12.5]	30,400 [8.9]	12,100 [3.5]	11.25	13.00	76	1,400 [661]
	RCFL-H*4821 (RGGE-10?ZCM?)	42,500 [12.5]	30,450 [8.9]	12,050 [3.5]	11.10	13.00	76	1,400 [661]
	RCFL-H*4821 (RGJD-09?ZCM?)	41,500 [12.2]	29,650 [8.7]	11,850 [3.5]	11.15	13.00	76	1,425 [672]
	RCFL-H*4821 (RGJD-10?ZCM?)	41,500 [12.2]	29,650 [8.7]	11,850 [3.5]	11.20	13.00	76	1,425 [672]
	RCFL-H*4821 (RGJF-06?MCK?)	41,500 [12.2]	28,250 [8.3]	13,250 [3.9]	11.25	13.00	76	1,200 [566]
	RCFL-H*4821 (RGJF-07?MCK?)	41,500 [12.2]	28,300 [8.3]	13,200 [3.9]	11.15	13.00	76	1,200 [566]
	RCFL-H*4821 (RGJF-09?ZCM?)	42,500 [12.5]	30,400 [8.9]	12,100 [3.5]	11.25	13.00	76	1,400 [661]
	RCFL-H*4821 (RGJF-10?ZCM?)	42,500 [12.5]	30,400 [8.9]	12,100 [3.5]	11.15	13.00	76	1,400 [661]
	RCFL-H*4821 (RGLE-07?AMK?)	42,000 [12.3]	28,750 [8.4]	13,250 [3.9]	11.35	13.50	76	1,200 [566]
	RCFL-H*4821 (RGLE-10?BRM?)	42,000 [12.3]	28,600 [8.4]	13,400 [3.9]	11.80	14.00	76	1,200 [566]
	RCFL-H*4821 (RGLR-07?BRQ?)	42,000 [12.3]	30,100 [8.8]	11,900 [3.5]	11.40	13.50	76	1,425 [672]
	RCFL-H*4821 (RGLR-10?BRM?)	42,000 [12.3]	30,050 [8.8]	11,950 [3.5]	11.55	13.50	76	1,375 [649]
	RCFL-H*4821 (RGLT-07?AME?)	41,500 [12.2]	29,400 [8.6]	12,100 [3.5]	11.00	13.00	76	1,350 [637]
	RCFL-H*4821 (RGLT-07?BRQ?)	42,000 [12.3]	30,350 [8.9]	11,650 [3.4]	11.00	13.50	76	1,450 [684]
	RCFL-H*4821 (RGLT-10?BRM?)	42,000 [12.3]	30,100 [8.8]	11,900 [3.5]	11.00	13.50	76	1,425 [672]
	043CAZ/ DAZ/JAZ	RCFL-H*4821 (RGPE-05?BMK?)	41,500 [12.2]	28,250 [8.3]	13,250 [3.9]	11.20	13.00	76
RCFL-H*4821 (RGPE-07?AMK?)		42,000 [12.3]	28,900 [8.5]	13,100 [3.8]	11.30	13.50	76	1,225 [578]
RCFL-H*4821 (RGPE-07?BRQ?)		42,000 [12.3]	28,800 [8.4]	13,200 [3.9]	11.70	14.00	76	1,225 [578]
RCFL-H*4821 (RGPE-10?BRM?)		42,000 [12.3]	28,750 [8.4]	13,250 [3.9]	11.75	14.00	76	1,225 [578]
RCFL-H*4821 (RGPR-07?BRQ?)		42,000 [12.3]	30,050 [8.8]	11,950 [3.5]	11.50	13.50	76	1,400 [661]
RCFL-H*4821 (RGPR-10?BRM?)		42,000 [12.3]	30,100 [8.8]	11,900 [3.5]	11.30	13.00	76	1,425 [672]
RCFL-H*4821 (RGPT-05?BMK?)		41,000 [12.0]	28,200 [8.3]	12,800 [3.8]	11.00	13.00	76	1,225 [578]
RCFL-H*4821 (RGPT-07?AME?)		41,000 [12.0]	28,300 [8.3]	12,700 [3.7]	11.00	13.00	76	1,250 [590]
RCFL-H*4821 (RGPT-07?BRQ?)		41,500 [12.2]	28,650 [8.4]	12,850 [3.8]	11.50	14.00	76	1,250 [590]
RCFL-H*4821 (RGPT-10?BRM?)		42,000 [12.3]	30,050 [8.8]	11,950 [3.5]	11.00	13.50	76	1,425 [672]
RCFL-H*4821 (RGRM-09?ZAJ?)		41,000 [12.0]	28,150 [8.2]	12,850 [3.8]	11.25	13.00	76	1,225 [578]
RCFL-H*4821 (RGRM-10?ZAJ?)		40,500 [11.9]	27,250 [8.0]	13,250 [3.9]	11.30	13.00	76	1,150 [543]
RCFL-H*4821 (RGRM-12?RAJ?)		41,500 [12.2]	29,650 [8.7]	11,850 [3.5]	11.15	13.00	76	1,425 [672]
RCFL-H*4821 (RGTM-06?MAE?)		41,500 [12.2]	28,450 [8.3]	13,050 [3.8]	11.00	13.00	76	1,225 [578]
RCFL-H*4821 (RGTM-07?RBG?)		42,500 [12.5]	29,900 [8.8]	12,600 [3.7]	11.50	13.50	76	1,325 [625]
RCFL-H*4821 (RGTM-09?ZAJ?)		42,000 [12.3]	28,950 [8.5]	13,050 [3.8]	11.55	13.50	76	1,250 [590]
ROCA-070E03 (RCFL-H*4821)		41,000 [12.0]	28,000 [8.2]	13,000 [3.8]	11.00	13.50	76	1,200 [566]
ROCA-070E04 (RCFL-H*4821)		41,000 [12.0]	28,000 [8.2]	13,000 [3.8]	11.00	13.50	76	1,200 [566]
ROLA-070E03 (RCFL-H*4821)		41,000 [12.0]	27,800 [8.1]	13,200 [3.9]	11.00	13.50	76	1,175 [554]
ROLA-070E04 (RCFL-H*4821)		42,000 [12.3]	30,100 [8.8]	11,900 [3.5]	11.00	13.50	76	1,375 [649]
ROLA-115E05 (RCFL-H*4821)		41,000 [12.0]	27,900 [8.2]	13,100 [3.8]	11.50	13.50	76	1,200 [566]
RCFL-H*4824		41,500 [12.2]	29,700 [8.7]	11,800 [3.5]	10.90	13.00	76	1,400 [661]
RCFL-H*4824 (RGFD-09?ZCM?)		41,500 [12.2]	29,250 [8.6]	12,250 [3.6]	11.15	13.00	76	1,325 [625]
RCFL-H*4824 (RGFD-10?ZCM?)		41,000 [12.0]	28,750 [8.4]	12,250 [3.6]	11.05	13.00	76	1,325 [625]
RCFL-H*4824 (RGFD-12?RCM?)		42,000 [12.3]	30,600 [9.0]	11,400 [3.3]	11.15	13.00	76	1,475 [696]
RCFL-H*4824 (RGFE-09?ZCM?)		42,500 [12.5]	30,450 [8.9]	12,050 [3.5]	11.05	13.00	76	1,400 [661]
RCFL-H*4824 (RGFE-10?ZCM?)		42,500 [12.5]	30,500 [8.9]	12,000 [3.5]	10.95	13.00	76	1,425 [672]
RCFL-H*4824 (RGFE-12?RCM?)		43,000 [12.6]	31,200 [9.1]	11,800 [3.5]	11.30	13.00	76	1,450 [684]
RCFL-H*4824 (RGGD-09?ZCM?)		41,500 [12.2]	29,650 [8.7]	11,850 [3.5]	11.15	13.00	76	1,425 [672]
RCFL-H*4824 (RGGD-10?ZCM?)		41,500 [12.2]	29,650 [8.7]	11,850 [3.5]	11.15	13.00	76	1,425 [672]
RCFL-H*4824 (RGGD-12?RCM?)		42,000 [12.3]	30,400 [8.9]	11,600 [3.4]	11.40	13.50	76	1,450 [684]
RCFL-H*4824 (RGGE-09?ZCM?)		42,500 [12.5]	30,400 [8.9]	12,100 [3.5]	11.25	13.00	76	1,400 [661]
RCFL-H*4824 (RGGE-10?ZCM?)		42,500 [12.5]	30,450 [8.9]	12,050 [3.5]	11.10	13.00	76	1,400 [661]
RCFL-H*4824 (RGGE-12?RCM?)		42,000 [12.3]	28,650 [8.4]	13,350 [3.9]	11.70	14.00	76	1,200 [566]

① Highest sales volume tested combination required by D.O.E. test procedures.

[] Designates Metric Conversions

Performance Data @ AHRI Standard Conditions—Cooling: RANL- (continued)

Model Numbers		80°F [26.5°C] DB/67°F [19.5°C] WB Indoor Air 95°F [35°C] DB Outdoor Air					Sound Rating dB	Indoor CFM [L/s]
Outdoor Unit RANL-	Indoor Coil and/or Air Handler	Total Capacity BTU/H [kW]	Net Sensible BTU/H [kW]	Net Latent BTU/H [kW]	EER	SEER		
Rev. 7/1/10	RCFL-H*4824 (RGJD-09?ZCM?)	41,500 [12.2]	29,650 [8.7]	11,850 [3.5]	11.15	13.00	76	1,425 [672]
	RCFL-H*4824 (RGJD-10?ZCM?)	41,500 [12.2]	29,650 [8.7]	11,850 [3.5]	11.20	13.00	76	1,425 [672]
	RCFL-H*4824 (RGJD-12?RCM?)	42,000 [12.3]	30,400 [8.9]	11,600 [3.4]	11.40	13.50	76	1,450 [684]
	RCFL-H*4824 (RGJF-09?ZCM?)	42,500 [12.5]	30,400 [8.9]	12,100 [3.5]	11.25	13.00	76	1,400 [661]
	RCFL-H*4824 (RGJF-10?ZCM?)	42,500 [12.5]	30,400 [8.9]	12,100 [3.5]	11.15	13.00	76	1,400 [661]
	RCFL-H*4824 (RGJF-12?RCM?)	42,000 [12.3]	28,650 [8.4]	13,350 [3.9]	11.70	14.00	76	1,200 [566]
	RCFL-H*4824 (RGLE-10?BRM?)	42,000 [12.3]	28,600 [8.4]	13,400 [3.9]	11.80	14.00	76	1,200 [566]
	RCFL-H*4824 (RGLE-12?ARM?)	42,000 [12.3]	28,750 [8.4]	13,250 [3.9]	11.80	14.00	76	1,225 [578]
	RCFL-H*4824 (RGLR-07?BRQ?)	42,000 [12.3]	30,100 [8.8]	11,900 [3.5]	11.40	13.50	76	1,425 [672]
	RCFL-H*4824 (RGLR-10?BRM?)	42,000 [12.3]	30,050 [8.8]	11,950 [3.5]	11.55	13.50	76	1,375 [649]
	RCFL-H*4824 (RGLR-12?ARM?)	42,000 [12.3]	30,050 [8.8]	11,950 [3.5]	11.50	13.50	76	1,425 [672]
	RCFL-H*4824 (RGLT-07?BRQ?)	42,000 [12.3]	30,350 [8.9]	11,650 [3.4]	11.00	13.50	76	1,450 [684]
	RCFL-H*4824 (RGLT-10?BRM?)	42,000 [12.3]	30,100 [8.8]	11,900 [3.5]	11.00	13.50	76	1,425 [672]
	RCFL-H*4824 (RGLT-12?ARM?)	42,000 [12.3]	30,000 [8.8]	12,000 [3.5]	11.00	13.50	76	1,375 [649]
	RCFL-H*4824 (RGPE-07?BRQ?)	42,000 [12.3]	28,800 [8.4]	13,200 [3.9]	11.70	14.00	76	1,225 [578]
	RCFL-H*4824 (RGPE-10?BRM?)	42,000 [12.3]	28,750 [8.4]	13,250 [3.9]	11.75	14.00	76	1,225 [578]
	RCFL-H*4824 (RGPE-12?ARM?)	42,000 [12.3]	28,600 [8.4]	13,400 [3.9]	11.80	14.00	76	1,200 [566]
	RCFL-H*4824 (RGPR-07?BRQ?)	42,000 [12.3]	30,050 [8.8]	11,950 [3.5]	11.50	13.50	76	1,400 [661]
	RCFL-H*4824 (RGPR-10?BRM?)	42,000 [12.3]	30,100 [8.8]	11,900 [3.5]	11.30	13.00	76	1,425 [672]
	RCFL-H*4824 (RGPR-12?ARM?)	42,000 [12.3]	30,050 [8.8]	11,950 [3.5]	11.50	13.50	76	1,400 [661]
	RCFL-H*4824 (RGPT-07?BRQ?)	42,000 [12.3]	30,350 [8.9]	11,650 [3.4]	11.00	13.50	76	1,450 [684]
	RCFL-H*4824 (RGPT-10?BRM?)	42,000 [12.3]	30,050 [8.8]	11,950 [3.5]	11.00	13.50	76	1,425 [672]
	RCFL-H*4824 (RGPT-12?ARM?)	42,000 [12.3]	30,000 [8.8]	12,000 [3.5]	11.50	14.00	76	1,375 [649]
	RCFL-H*4824 (RGRM-09?ZAJ?)	41,000 [12.0]	28,150 [8.2]	12,850 [3.8]	11.20	13.00	76	1,225 [578]
	RCFL-H*4824 (RGRM-10?ZAJ?)	40,500 [11.9]	27,250 [8.0]	13,250 [3.9]	11.25	13.00	76	1,150 [543]
	RCFL-H*4824 (RGRM-12?RAJ?)	41,500 [12.2]	29,650 [8.7]	11,850 [3.5]	11.15	13.00	76	1,425 [672]
	RCFL-H*4824 (RGTM-07?RBG?)	42,500 [12.5]	29,900 [8.8]	12,600 [3.7]	11.50	13.50	76	1,325 [625]
	RCFL-H*4824 (RGTM-09?ZAJ?)	42,000 [12.3]	28,950 [8.5]	13,050 [3.8]	11.55	13.50	76	1,250 [590]
	RCFL-H*4824 (RGTM-10?RBJ?)	42,000 [12.3]	28,800 [8.4]	13,200 [3.9]	11.65	14.00	76	1,225 [578]
	ROCA-070E03 (RCFL-H*4824)	41,000 [12.0]	28,000 [8.2]	13,000 [3.8]	11.00	13.00	76	1,200 [566]
	ROCA-070E04 (RCFL-H*4824)	41,000 [12.0]	28,000 [8.2]	13,000 [3.8]	11.00	13.00	76	1,200 [566]
	ROLA-070E03 (RCFL-H*4824)	41,000 [12.0]	27,800 [8.1]	13,200 [3.9]	11.00	13.50	76	1,175 [554]
	ROLA-070E04 (RCFL-H*4824)	42,000 [12.3]	30,100 [8.8]	11,900 [3.5]	11.00	13.50	76	1,375 [649]
	ROLA-115E05 (RCFL-H*4824)	41,000 [12.0]	27,900 [8.2]	13,100 [3.8]	11.50	13.50	76	1,200 [566]
	RBHP-24 (RCHL-48A1)	41,000 [12.0]	28,100 [8.2]	12,900 [3.8]	11.55	14.00	76	1,400 [661]
	RCHL-48A1 (RGLE-10?BRM?)	40,500 [11.9]	27,700 [8.1]	12,800 [3.8]	11.30	13.50	76	1,400 [661]
	RCHL-48A1 (RGLE-12?ARM?)	40,500 [11.9]	27,650 [8.1]	12,850 [3.8]	11.30	13.50	76	1,425 [672]
	RCHL-48A1 (RGPE-07?BRQ?)	40,500 [11.9]	27,700 [8.1]	12,800 [3.8]	11.20	13.50	76	1,400 [661]
	RCHL-48A1 (RGPE-10?BRM?)	40,500 [11.9]	27,700 [8.1]	12,800 [3.8]	11.20	13.50	76	1,400 [661]
	RCHL-48A1 (RGPE-12?ARM?)	40,500 [11.9]	27,700 [8.1]	12,800 [3.8]	11.30	13.50	76	1,425 [672]
	RCQD-4821 (RGFE-06?MCK?)	41,000 [12.0]	28,200 [8.3]	12,800 [3.8]	10.95	13.00	76	1,200 [566]
	RCQD-4821 (RGFE-09?ZCM?)	42,000 [12.3]	30,300 [8.9]	11,700 [3.4]	11.10	13.00	76	1,400 [661]
RCQD-4821 (RGFE-10?ZCM?)	41,500 [12.2]	28,700 [8.4]	12,800 [3.8]	11.35	13.50	76	1,225 [578]	
RCQD-4821 (RGJF-06?MCK?)	41,500 [12.2]	28,600 [8.4]	12,900 [3.8]	11.20	13.00	76	1,200 [566]	
RCQD-4821 (RGJF-07?MCK?)	41,500 [12.2]	28,650 [8.4]	12,850 [3.8]	11.10	13.00	76	1,200 [566]	
RCQD-4821 (RGJF-09?ZCM?)	42,500 [12.5]	30,750 [9.0]	11,750 [3.4]	11.25	13.00	76	1,400 [661]	
RCQD-4821 (RGJF-10?ZCM?)	42,500 [12.5]	30,750 [9.0]	11,750 [3.4]	11.10	13.00	76	1,400 [661]	
RCQD-4821 (RGPE-05?BMK?)	41,500 [12.2]	28,650 [8.4]	12,850 [3.8]	11.15	13.00	76	1,200 [566]	
RCQD-4821 (RGPE-07?AMK?)	41,500 [12.2]	28,750 [8.4]	12,750 [3.7]	11.25	13.00	76	1,225 [578]	
RCQD-4821 (RGPE-07?BRQ?)	42,000 [12.3]	29,150 [8.5]	12,850 [3.8]	11.70	14.00	76	1,225 [578]	
RCQD-4821 (RGPE-10?BRM?)	42,000 [12.3]	29,150 [8.5]	12,850 [3.8]	11.70	14.00	76	1,225 [578]	
RCQD-4821 (RGPT-05?BMK?)	41,500 [12.2]	28,800 [8.4]	12,700 [3.7]	11.00	13.00	76	1,225 [578]	
RCQD-4821 (RGPT-07?AME?)	42,000 [12.3]	29,850 [8.7]	12,150 [3.6]	11.00	13.00	76	1,325 [625]	

① Highest sales volume tested combination required by D.O.E. test procedures.

[] Designates Metric Conversions

Performance Data @ AHRI Standard Conditions—Cooling: RANL- (continued)

Model Numbers		80°F [26.5°C] DB/67°F [19.5°C] WB Indoor Air 95°F [35°C] DB Outdoor Air					Sound Rating dB	Indoor CFM [L/s]
Outdoor Unit RANL-	Indoor Coil and/or Air Handler	Total Capacity BTU/H [kW]	Net Sensible BTU/H [kW]	Net Latent BTU/H [kW]	EER	SEER		
043CAZ/ DAZ/JAZ	Rev. 7/1/10 RCQD-4821 (RGPT-07?BRQ?)	42,000 [12.3]	29,100 [8.5]	12,900 [3.8]	11.50	14.00	76	1,225 [578]
	RCQD-4821 (RGPT-10?BRM?)	42,000 [12.3]	29,100 [8.5]	12,900 [3.8]	11.50	14.00	76	1,225 [578]
	ROCA-070E03 (RCQD-4821)	41,500 [12.2]	28,600 [8.4]	12,900 [3.8]	11.00	13.50	76	1,200 [566]
	ROCA-070E04 (RCQD-4821)	41,500 [12.2]	28,600 [8.4]	12,900 [3.8]	11.00	13.50	76	1,200 [566]
	ROLA-070E04 (RCQD-4821)	42,500 [12.5]	30,700 [9.0]	11,800 [3.5]	11.00	13.50	76	1,375 [649]
	ROLA-115E05 (RCQD-4821)	42,000 [12.3]	29,000 [8.5]	13,000 [3.8]	11.50	13.50	76	1,200 [566]
	RCQD-4821A* (RGFD-09?ZCM?)	42,000 [12.3]	29,800 [8.7]	12,200 [3.6]	11.30	13.00	76	1,325 [625]
	RCQD-4821A* (RGFD-10?ZCM?)	42,000 [12.3]	29,850 [8.7]	12,150 [3.6]	11.15	13.00	76	1,325 [625]
	RCQD-4821A* (RGJD-09?ZCM?)	42,500 [12.5]	30,750 [9.0]	11,750 [3.4]	11.25	13.00	76	1,425 [672]
	RCQD-4821A* (RGJD-10?ZCM?)	42,500 [12.5]	30,750 [9.0]	11,750 [3.4]	11.30	13.00	76	1,425 [672]
	RCQD-4821A* (RGJD-12?RCM?)	43,000 [12.6]	31,500 [9.2]	11,500 [3.4]	11.50	13.50	76	1,450 [684]
	RCQD-4821A* (RGPR-07?BRQ?)	42,500 [12.5]	30,650 [9.0]	11,850 [3.5]	11.60	13.50	76	1,400 [661]
	RCQD-4821A* (RGPR-10?BRM?)	42,500 [12.5]	30,700 [9.0]	11,800 [3.5]	11.40	13.50	76	1,425 [672]
	RCQD-4821A* (RGRM-09?ZAJ?)	41,500 [12.2]	28,750 [8.4]	12,750 [3.7]	11.30	13.00	76	1,225 [578]
	RCQD-4821A* (RGRM-10?ZAJ?)	41,500 [12.2]	28,300 [8.3]	13,200 [3.9]	11.35	13.00	76	1,150 [543]
	RCQD-4821A* (RGRM-12?RAJ?)	42,500 [12.5]	30,750 [9.0]	11,750 [3.4]	11.25	13.00	76	1,425 [672]
	RCQD-4824 (RGFE-09?ZCM?)	42,500 [12.5]	30,750 [9.0]	11,750 [3.4]	11.15	13.00	76	1,400 [661]
	RCQD-4824 (RGFE-10?ZCM?)	42,000 [12.3]	30,300 [8.9]	11,700 [3.4]	11.05	13.00	76	1,425 [672]
	RCQD-4824 (RGFE-12?RCM?)	42,500 [12.5]	31,000 [9.1]	11,500 [3.4]	11.40	13.50	76	1,450 [684]
	RCQD-4824 (RGJF-09?ZCM?)	42,500 [12.5]	30,700 [9.0]	11,800 [3.5]	11.35	13.00	76	1,400 [661]
	RCQD-4824 (RGJF-10?ZCM?)	42,500 [12.5]	30,750 [9.0]	11,750 [3.4]	11.20	13.00	76	1,400 [661]
	RCQD-4824 (RGJF-12?RCM?)	42,000 [12.3]	29,000 [8.5]	13,000 [3.8]	11.75	14.00	76	1,200 [566]
	RCQD-4824 (RGPE-07?BRQ?)	42,000 [12.3]	29,100 [8.5]	12,900 [3.8]	11.75	14.00	76	1,225 [578]
	RCQD-4824 (RGPE-10?BRM?)	42,000 [12.3]	29,100 [8.5]	12,900 [3.8]	11.75	14.00	76	1,225 [578]
	RCQD-4824 (RGPE-12?ARM?)	42,000 [12.3]	28,950 [8.5]	13,050 [3.8]	11.80	14.00	76	1,200 [566]
	RCQD-4824 (RGPT-07?BRQ?)	42,000 [12.3]	29,250 [8.6]	12,750 [3.7]	11.50	14.00	76	1,250 [590]
	RCQD-4824 (RGPT-10?BRM?)	42,000 [12.3]	29,250 [8.6]	12,750 [3.7]	11.50	14.00	76	1,250 [590]
	RCQD-4824 (RGPT-12?ARM?)	43,000 [12.6]	31,100 [9.1]	11,900 [3.5]	11.50	14.00	76	1,400 [661]
	ROCA-070E03 (RCQD-4824)	41,500 [12.2]	28,550 [8.4]	12,950 [3.8]	11.00	13.50	76	1,200 [566]
	ROCA-070E04 (RCQD-4824)	41,500 [12.2]	28,550 [8.4]	12,950 [3.8]	11.00	13.50	76	1,200 [566]
	ROLA-070E04 (RCQD-4824)	42,500 [12.5]	30,700 [9.0]	11,800 [3.5]	11.00	13.50	76	1,375 [649]
	ROLA-115E05 (RCQD-4824)	42,000 [12.3]	29,000 [8.5]	13,000 [3.8]	11.50	14.00	76	1,200 [566]
	RCQD-4824A* (RGFD-09?ZCM?)	42,000 [12.3]	29,800 [8.7]	12,200 [3.6]	11.40	13.50	76	1,325 [625]
	RCQD-4824A* (RGFD-10?ZCM?)	42,000 [12.3]	29,800 [8.7]	12,200 [3.6]	11.25	13.00	76	1,325 [625]
	RCQD-4824A* (RGFD-12?RCM?)	43,000 [12.6]	31,650 [9.3]	11,350 [3.3]	11.35	13.50	76	1,475 [696]
	RCQD-4824A* (RGJD-09?ZCM?)	42,500 [12.5]	30,700 [9.0]	11,800 [3.5]	11.35	13.50	76	1,425 [672]
	RCQD-4824A* (RGJD-10?ZCM?)	42,500 [12.5]	30,700 [9.0]	11,800 [3.5]	11.35	13.50	76	1,425 [672]
	RCQD-4824A* (RGJD-12?RCM?)	43,000 [12.6]	31,450 [9.2]	11,550 [3.4]	11.60	13.50	76	1,450 [684]
	RCQD-4824A* (RGPR-07?BRQ?)	43,000 [12.6]	31,150 [9.1]	11,850 [3.5]	11.70	13.50	76	1,400 [661]
	RCQD-4824A* (RGPR-10?BRM?)	42,500 [12.5]	30,700 [9.0]	11,800 [3.5]	11.50	13.50	76	1,425 [672]
RCQD-4824A* (RGPR-12?ARM?)	43,000 [12.6]	31,150 [9.1]	11,850 [3.5]	11.70	13.50	76	1,400 [661]	
RCQD-4824A* (RGRM-09?ZAJ?)	42,000 [12.3]	30,300 [8.9]	11,700 [3.4]	11.10	13.00	76	1,400 [661]	
RCQD-4824A* (RGRM-10?ZAJ?)	41,500 [12.2]	28,300 [8.3]	13,200 [3.9]	11.45	13.50	76	1,150 [543]	
RCQD-4824A* (RGRM-12?RAJ?)	42,500 [12.5]	30,700 [9.0]	11,800 [3.5]	11.35	13.00	76	1,425 [672]	
RHKL-HM4821 (RCSL-H*4821)	42,000 [12.3]	30,000 [8.8]	12,000 [3.5]	11.70	13.50	76	1,400 [661]	
RHLL-HM4821 (RCSL-H*4821)	42,000 [12.3]	30,000 [8.8]	12,000 [3.5]	11.75	14.00	76	1,400 [661]	
RHSL-HM4221 (RCSL-H*4821)	41,000 [12.0]	28,950 [8.5]	12,050 [3.5]	10.85	13.00	76	1,350 [637]	
048C/D/J/YAZ	RCFL-H*4821 ①	48,000 [14.1]	33,850 [9.9]	14,150 [4.1]	11.90	14.00	76	1,475 [696]
049CAZ/ DAZ/JAZ/ YAZ	RCFL-H*4821 ①	46,500 [13.6]	33,250 [9.7]	13,250 [3.9]	11.05	13.00	76	1,550 [731]
	RCFL-A*4821	46,500 [13.6]	33,250 [9.7]	13,250 [3.9]	11.05	13.00	76	1,550 [731]
	RCFL-A*4821 (RGFE-09?ZCM?)	46,500 [13.6]	32,100 [9.4]	14,400 [4.2]	11.15	13.00	76	1,400 [661]
	RCFL-A*4821 (RGGE-09?ZCM?)	46,500 [13.6]	32,050 [9.4]	14,450 [4.2]	11.30	13.00	76	1,400 [661]
	RCFL-A*4821 (RGGE-10?ZCM?)	46,500 [13.6]	32,100 [9.4]	14,400 [4.2]	11.20	13.00	76	1,400 [661]
	RCFL-A*4821 (RGLE-10?BRM?)	47,000 [13.8]	32,450 [9.5]	14,550 [4.3]	11.70	13.50	76	1,400 [661]

① Highest sales volume tested combination required by D.O.E. test procedures.

[] Designates Metric Conversions

Performance Data @ AHRI Standard Conditions—Cooling: RANL- (continued)

Model Numbers		80°F [26.5°C] DB/67°F [19.5°C] WB Indoor Air 95°F [35°C] DB Outdoor Air					Sound Rating dB	Indoor CFM [L/s]	
Outdoor Unit RANL-	Indoor Coil and/or Air Handler	Total Capacity BTU/H [kW]	Net Sensible BTU/H [kW]	Net Latent BTU/H [kW]	EER	SEER			
Rev. 7/1/10	RCFL-H*4821 (RGPR-07?BRQ?)	48,000 [14.1]	36,150 [10.6]	11,850 [3.5]	11.45	13.00	76	1,625 [767]	
	RCFL-H*4821 (RGPT-07?BRQ?)	46,500 [13.6]	32,300 [9.5]	14,200 [4.2]	11.00	13.50	76	1,425 [672]	
	RCFL-H*4821 (RGPT-10?BRM?)	46,500 [13.6]	32,300 [9.5]	14,200 [4.2]	11.00	13.50	76	1,425 [672]	
	RCFL-H*4821 (RGTM-07?RBG?)	46,500 [13.6]	31,500 [9.2]	15,000 [4.4]	11.55	13.50	76	1,325 [625]	
	RCFL-H*4821 (RGTM-09?ZAJ?)	46,500 [13.6]	32,050 [9.4]	14,450 [4.2]	11.30	13.00	76	1,400 [661]	
	ROLA-070E04 (RCFL-H*4821)	46,000 [13.5]	31,550 [9.2]	14,450 [4.2]	11.00	13.00	76	1,375 [649]	
	ROLA-115E05 (RCFL-H*4821)	46,000 [13.5]	31,700 [9.3]	14,300 [4.2]	11.00	13.00	76	1,400 [661]	
	RCFL-H*4824	46,500 [13.6]	33,250 [9.7]	13,250 [3.9]	11.05	13.00	76	1,550 [731]	
	RCFL-H*4824 (RGFD-12?RCM?)	47,000 [13.8]	34,400 [10.1]	12,600 [3.7]	11.15	13.00	76	1,650 [779]	
	RCFL-H*4824 (RGFE-09?ZCM?)	46,500 [13.6]	32,100 [9.4]	14,400 [4.2]	11.15	13.00	76	1,400 [661]	
	RCFL-H*4824 (RGFE-12?RCM?)	47,000 [13.8]	32,850 [9.6]	14,150 [4.1]	11.40	13.00	76	1,450 [684]	
	RCFL-H*4824 (RGGE-09?ZCM?)	46,500 [13.6]	32,050 [9.4]	14,450 [4.2]	11.30	13.00	76	1,400 [661]	
	RCFL-H*4824 (RGGE-10?ZCM?)	46,500 [13.6]	32,100 [9.4]	14,400 [4.2]	11.20	13.00	76	1,400 [661]	
	RCFL-H*4824 (RGGE-12?RCM?)	47,000 [13.8]	33,550 [9.8]	13,450 [3.9]	11.25	13.00	76	1,575 [743]	
	RCFL-H*4824 (RGJF-09?ZCM?)	46,500 [13.6]	32,050 [9.4]	14,450 [4.2]	11.35	13.00	76	1,400 [661]	
	RCFL-H*4824 (RGJF-10?ZCM?)	46,500 [13.6]	32,100 [9.4]	14,400 [4.2]	11.25	13.00	76	1,400 [661]	
	RCFL-H*4824 (RGJF-12?RCM?)	47,000 [13.8]	33,550 [9.8]	13,450 [3.9]	11.30	13.00	76	1,575 [743]	
	RCFL-H*4824 (RGLE-10?BRM?)	47,500 [13.9]	34,350 [10.1]	13,150 [3.9]	11.45	13.50	76	1,600 [755]	
	RCFL-H*4824 (RGLE-12?ARM?)	47,500 [13.9]	34,350 [10.1]	13,150 [3.9]	11.40	13.50	76	1,600 [755]	
	RCFL-H*4824 (RGLR-07?BRQ?)	47,000 [13.8]	34,200 [10.0]	12,800 [3.8]	11.20	13.00	76	1,625 [767]	
	RCFL-H*4824 (RGLR-10?BRM?)	46,500 [13.6]	33,200 [9.7]	13,300 [3.9]	11.25	13.00	76	1,575 [743]	
	RCFL-H*4824 (RGLR-12?ARM?)	47,000 [13.8]	34,000 [10.0]	13,000 [3.8]	11.35	13.00	76	1,600 [755]	
	RCFL-H*4824 (RGLT-07?BRQ?)	46,500 [13.6]	32,350 [9.5]	14,150 [4.1]	11.00	13.50	76	1,425 [672]	
	RCFL-H*4824 (RGLT-10?BRM?)	46,000 [13.5]	31,700 [9.3]	14,300 [4.2]	11.00	13.50	76	1,400 [661]	
	RCFL-H*4824 (RGLT-12?ARM?)	46,000 [13.5]	31,300 [9.2]	14,700 [4.3]	11.00	13.50	76	1,350 [637]	
	049CAZ/ DAZ/JAZ/ YAZ	RCFL-H*4824 (RGPE-07?BRQ?)	47,500 [13.9]	34,400 [10.1]	13,100 [3.8]	11.20	13.00	76	1,600 [755]
		RCFL-H*4824 (RGPE-10?BRM?)	47,500 [13.9]	34,550 [10.1]	12,950 [3.8]	11.30	13.00	76	1,625 [767]
		RCFL-H*4824 (RGPE-12?ARM?)	47,500 [13.9]	34,500 [10.1]	13,000 [3.8]	11.45	13.50	76	1,625 [767]
		RCFL-H*4824 (RGPR-07?BRQ?)	47,000 [13.8]	34,200 [10.0]	12,800 [3.8]	11.25	13.00	76	1,625 [767]
		RCFL-H*4824 (RGPR-12?ARM?)	46,500 [13.6]	33,200 [9.7]	13,300 [3.9]	11.30	13.00	76	1,575 [743]
		RCFL-H*4824 (RGPT-07?BRQ?)	46,500 [13.6]	32,300 [9.5]	14,200 [4.2]	11.00	13.50	76	1,425 [672]
		RCFL-H*4824 (RGPT-10?BRM?)	46,500 [13.6]	32,300 [9.5]	14,200 [4.2]	11.00	13.50	76	1,425 [672]
		RCFL-H*4824 (RGPT-12?ARM?)	46,000 [13.5]	31,300 [9.2]	14,700 [4.3]	11.00	13.50	76	1,350 [637]
		RCFL-H*4824 (RGTM-07?RBG?)	46,500 [13.6]	31,650 [9.3]	14,850 [4.4]	11.60	14.00	76	1,325 [625]
		RCFL-H*4824 (RGTM-09?ZAJ?)	46,500 [13.6]	32,200 [9.4]	14,300 [4.2]	11.35	13.50	76	1,400 [661]
		RCFL-H*4824 (RGTM-10?RBJ?)	47,000 [13.8]	32,850 [9.6]	14,150 [4.1]	11.55	13.50	76	1,425 [672]
		ROLA-070E04 (RCFL-H*4824)	46,000 [13.5]	31,550 [9.2]	14,450 [4.2]	11.00	13.00	76	1,375 [649]
		ROLA-115E05 (RCFL-H*4824)	46,000 [13.5]	31,700 [9.3]	14,300 [4.2]	11.00	13.00	76	1,400 [661]
		RBHP-24 (RCHL-48A1)	45,500 [13.3]	31,300 [9.2]	14,200 [4.2]	11.40	13.00	76	1,600 [755]
		RCQD-4821 (RGPT-07?BRQ?)	47,500 [13.9]	33,250 [9.7]	14,250 [4.2]	11.50	14.00	76	1,425 [672]
RCQD-4821 (RGPT-10?BRM?)		47,500 [13.9]	33,200 [9.7]	14,300 [4.2]	11.50	14.00	76	1,425 [672]	
ROLA-070E04 (RCQD-4821)		46,500 [13.6]	31,550 [9.2]	14,950 [4.4]	11.00	13.50	76	1,375 [649]	
RCQD-4824 (RGFE-09?ZCM?)		47,000 [13.8]	32,650 [9.6]	14,350 [4.2]	11.55	13.50	76	1,400 [661]	
RCQD-4824 (RGFE-10?ZCM?)		47,000 [13.8]	32,850 [9.6]	14,150 [4.1]	11.45	13.50	76	1,425 [672]	
RCQD-4824 (RGFE-12?RCM?)		47,500 [13.9]	33,400 [9.8]	14,100 [4.1]	11.75	14.00	76	1,450 [684]	
RCQD-4824 (RGJF-09?ZCM?)		47,000 [13.8]	32,600 [9.6]	14,400 [4.2]	11.70	13.50	76	1,400 [661]	
RCQD-4824 (RGJF-10?ZCM?)		47,000 [13.8]	32,650 [9.6]	14,350 [4.2]	11.60	13.50	76	1,400 [661]	
RCQD-4824 (RGJF-12?RCM?)		48,000 [14.1]	34,950 [10.2]	13,050 [3.8]	11.70	13.50	76	1,575 [743]	
RCQD-4824 (RGPE-07?BRQ?)		48,000 [14.1]	34,950 [10.2]	13,050 [3.8]	11.65	13.50	76	1,600 [755]	
RCQD-4824 (RGPE-10?BRM?)		48,000 [14.1]	34,950 [10.2]	13,050 [3.8]	11.65	13.50	76	1,625 [767]	
RCQD-4824 (RGPE-12?ARM?)		48,000 [14.1]	34,900 [10.2]	13,100 [3.8]	11.80	13.50	76	1,625 [767]	
RCQD-4824 (RGPT-07?BRQ?)		47,500 [13.9]	33,550 [9.8]	13,950 [4.1]	11.50	14.00	76	1,475 [696]	
RCQD-4824 (RGPT-10?BRM?)		47,500 [13.9]	33,350 [9.8]	14,150 [4.1]	11.50	14.00	76	1,450 [684]	

① Highest sales volume tested combination required by D.O.E. test procedures.

[] Designates Metric Conversions

Performance Data @ AHRI Standard Conditions—Cooling: RANL- (continued)

Model Numbers		80°F [26.5°C] DB/67°F [19.5°C] WB Indoor Air 95°F [35°C] DB Outdoor Air					Sound Rating dB	Indoor CFM [L/s]
Outdoor Unit RANL-	Indoor Coil and/or Air Handler	Total Capacity BTU/H [kW]	Net Sensible BTU/H [kW]	Net Latent BTU/H [kW]	EER	SEER		
Rev. 7/1/10 049CAZ/ DAZ/JAZ/ YAZ	RCQD-4824 (RGPT-12?ARM?)	47,500 [13.9]	33,000 [9.7]	14,500 [4.2]	11.50	14.00	76	1,400 [661]
	ROCA-070E04 (RCQD-4824)	47,000 [13.8]	32,700 [9.6]	14,300 [4.2]	11.00	13.00	76	1,400 [661]
	ROLA-070E04 (RCQD-4824)	47,000 [13.8]	32,400 [9.5]	14,600 [4.3]	11.50	14.00	76	1,375 [649]
	ROLA-115E05 (RCQD-4824)	47,500 [13.9]	33,800 [9.9]	13,700 [4.0]	11.00	13.50	76	1,500 [708]
	RCQD-4824A* (RGRM-12?RAJ?)	47,000 [13.8]	34,650 [10.2]	12,350 [3.6]	11.00	13.00	76	1,625 [767]
	RHKL-HM4821 (RCSL-H*4821)	47,000 [13.8]	33,650 [9.9]	13,350 [3.9]	11.55	13.50	76	1,575 [743]
	RHLL-HM4821 (RCSL-H*4821)	47,000 [13.8]	33,950 [9.9]	13,050 [3.8]	11.65	13.50	76	1,600 [755]
	RHSL-HM4821 (RCSL-H*4821)	46,500 [13.6]	33,250 [9.7]	13,250 [3.9]	11.15	13.00	76	1,525 [720]
	RHKL-HM4824 (RCSL-H*4824)	48,500 [14.2]	36,500 [10.7]	12,000 [3.5]	12.10	14.00	76	1,625 [767]
	RHLL-HM4824 (RCSL-H*4824)	48,500 [14.2]	36,450 [10.7]	12,050 [3.5]	12.15	14.00	76	1,625 [767]
	RHSL-HM4824 (RCSL-H*4824)	47,500 [13.9]	35,000 [10.3]	12,500 [3.7]	11.30	13.00	76	1,525 [720]
060CAZ/ DAZ/JAZ/ YAZ	RCFL-H*6024 ①	61,000 [17.9]	42,900 [12.6]	18,100 [5.3]	11.10	13.00	76	1,800 [849]
	RCFL-A*6024	61,000 [17.9]	42,900 [12.6]	18,100 [5.3]	11.10	13.00	76	1,800 [849]
	RBHP-25 (RCHL-60A1)	55,500 [16.3]	36,600 [10.7]	18,900 [5.5]	10.75	13.00	76	1,800 [849]
	RCQD-6024A*	58,500 [17.1]	40,250 [11.8]	18,250 [5.3]	10.95	13.00	76	1,800 [849]
	RHKL-HM6024 (RCSL-H*6024)	62,000 [18.2]	43,450 [12.7]	18,550 [5.4]	11.70	13.50	76	1,800 [849]
	RHLL-HM6024 (RCSL-H*6024)	62,000 [18.2]	43,500 [12.7]	18,500 [5.4]	11.70	13.50	76	1,800 [849]

① Highest sales volume tested combination required by D.O.E. test procedures.

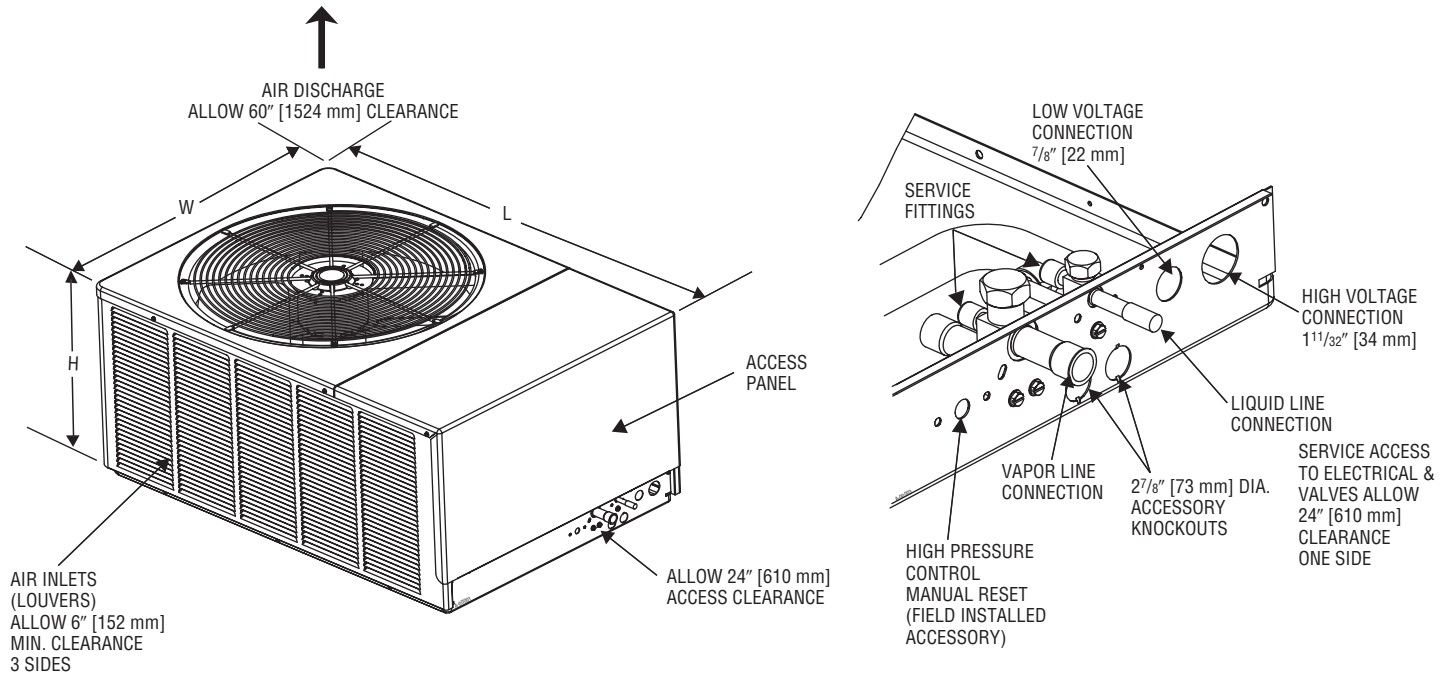
[] Designates Metric Conversions

Electrical and Physical Data: RANL-

Model Number RANL-	ELECTRICAL							PHYSICAL						
	Phase Frequency (Hz) Voltage (Volts)	Compressor		Fan Motor Full Load Amperes (FLA)	Minimum Circuit Ampacity Amperes	Fuse or HACR Circuit Breaker		Outdoor Coil			Refrig. Per Circuit Oz. [g]	Weight		
		Rated Load Amperes (RLA)	Locked Rotor Amperes (LRA)			Minimum Amperes	Maximum Amperes	Face Area Sq. Ft. [m ²]	No. Rows	CFM [L/s]		Net Lbs. [kg]	Shipping Lbs. [kg]	
Rev. 7/1/2010														
018JAZ	1-60-208/230	9/9	48	0.6	12/12	15/15	20/20	9.07 [0.84]	1	1775 [838]	70 [1984]	130 [59]	140 [63.5]	
024JAZ	1-60-208/230	12.8/12.8	58.3	0.6	17/17	20/20	25/25	11 [1.02]	1	1920 [906]	72 [2041]	140 [63.5]	150 [68]	
031JAZ	1-60-208/230	14.1/14.1	73	0.6	19/19	25/25	30/30	11.06 [1.03]	1	1920 [906]	83 [2353]	143 [64.9]	152.5 [69.2]	
037CAZ	3-60-208/230	13.2/13.2	88	1.2	18/18	25/25	30/30	16.1 [1.5]	1	3200 [1501]	106 [3005]	193 [87.5]	211.5 [95.9]	
037DAZ	3-60-460	6	44	0.6	9	15	15	16.1 [1.5]	1	3200 [1510]	106 [3005]	193 [87.5]	211.5 [95.9]	
037JAZ	1-60-208/230	17.9/17.9	112	1.2	24/24	30/30	40/40	16.1 [1.5]	1	3200 [1510]	106 [3005]	193 [87.5]	211.5 [95.9]	
043CAZ	3-60-208/230	13.6/13.6	83.1	1.2	19/19	25/25	30/30	16.1 [1.5]	1	3200 [1510]	115 [3260]	202 [91.6]	210.5 [95.5]	
043DAZ	3-60-460	6.1	41	0.6	9	15	15	16.1 [1.5]	1	3200 [1510]	115 [3260]	202 [91.6]	210.5 [95.5]	
043JAZ	1-60-208/230	19.9/19.9	109	1.2	27/27	35/35	45/45	16.1 [1.5]	1	3200 [1510]	115 [3260]	202 [91.6]	210.5 [95.5]	
048CAZ	3-60-208/230	13.7/13.7	83.1	1.2	19/19	25/25	30/30	23.01 [2.14]	1	3500 [1652]	145 [4111]	240 [108.9]	250 [113.4]	
048DAZ	3-60-460	6.2	41	0.6	9	15	15	23.01 [2.14]	1	3500 [1652]	145 [4111]	240 [108.9]	250 [113.4]	
048JAZ	1-60-208/230	21.8/21.8	117	1.2	29/29	35/35	50/50	23.01 [2.14]	1	3500 [1652]	145 [4111]	240 [108.9]	250 [113.4]	
048YAZ	3-60-575	4.8	33	0.5	7	15	15	23.01 [2.14]	1	3500 [1652]	145 [4111]	240 [108.9]	250 [113.4]	
049CAZ	3-60-208/230	13.7/13.7	83.1	1.2	19/19	25/25	30/30	20.13 [1.87]	1	3500 [1652]	132 [3742]	214 [97.1]	233.5 [105.9]	
049DAZ	3-60-460	6.2	41	0.6	9	15	15	23.13 [2.15]	1	3500 [1652]	132 [3742]	214 [97.1]	233.5 [105.9]	
049JAZ	1-60-208/230	21.8/21.8	117	1.2	29/29	35/35	50/50	20.13 [1.87]	1	3500 [1652]	132 [3742]	214 [97.1]	233.5 [105.9]	
049YAZ	3-60-575	4.8	33	0.5	7	15	15	20.13 [1.87]	1	3500 [1652]	132 [3742]	214 [97.1]	233.5 [105.9]	
060CAZ	3-60-208/230	15.6/15.6	110	1.2	21/21	25/25	35/35	23.01 [2.14]	1	3500 [1652]	180 [5103]	250 [113.4]	260 [117.9]	
060DAZ	3-60-460	7.8	52	0.6	11	15	15	23.01 [2.14]	1	3500 [1652]	180 [5103]	250 [113.4]	260 [117.9]	
060JAZ	1-60-208/230	26.3/26.3	134	1.2	35/35	45/45	60/60	23.01 [2.14]	1	3500 [1652]	180 [5103]	250 [113.4]	260 [117.9]	
060YAZ	3-60-575	5.8	38.9	0.5	8	15	15	23.01 [2.14]	1	3500 [1652]	180 [5103]	250 [113.4]	260 [117.9]	

[] Designates Metric Conversions

Unit Dimensions



Model Number RANL-	Height "H" (Inches) [mm]	Length "L" (Inches) [mm]	Width "W" (Inches) [mm]
018	19 [483]	35½ [902]	23¾ [603]
024/031	19 [483]	40½ [1029]	27⅝ [702]
037/043	23 [584]	44⅜ [1127]	31½ [800]
048/049	29 [737]	44⅜ [1127]	31½ [800]
060	33 [838]	44⅜ [1127]	31½ [800]

[] Designates Metric Conversions

BEFORE PURCHASING THIS APPLIANCE, READ IMPORTANT ENERGY COST AND EFFICIENCY INFORMATION AVAILABLE FROM YOUR RETAILER.

GENERAL TERMS OF LIMITED WARRANTY

Rheem will furnish a replacement for any part of this product which fails in normal use and service within the applicable period stated, in accordance with the terms of the limited warranty.

***For Complete Details of the Limited Warranty, Including Applicable Terms and Conditions, See Your Local Installer or Contact the Manufacturer for a Copy.**

Compressor—
 JAZTen (10) Years
 CAZ, DAZ, YAZ.....Five (5) Years
 Conditional Parts* Warranty
 (Registration Required)Ten (10) Years

Condensing Unit Refrigerant Line Size Information

Liquid Line Sizing (R-410A)														
System Capacity	Line Size Connection (Inch I.D.)	Line Size (Inch O.D.) [mm]	Liquid Line Size – Outdoor Unit Above Indoor Coil (Cooling Only – Does not apply to Heat Pumps)						Liquid Line Size – Outdoor Unit Below Indoor Coil					
			Total Equivalent Length—Feet [m]						Total Equivalent Length—Feet [m]					
			25 [7.62]	50 [15.24]	75 [22.86]	100 [30.48]	125 [38.10]	150 [45.72]	25 [7.62]	50 [15.24]	75 [22.86]	100 [30.48]	125 [38.10]	150 [45.72]
			Minimum Vertical Separation—Feet [m]						Maximum Vertical Separation—Feet [m]					
1 1/2 Ton	3/8"	1/4 [6.35]	0	0	0	0	8 [2.44]	24 [7.32]	25 [7.62]	40 [12.19]	25 [7.62]	9 [2.74]	N/A	N/A
		5/16 [7.94]	0	0	0	0	0	0	25 [7.62]	50 [15.24]	62 [18.90]	58 [17.68]	53 [16.15]	49 [14.94]
		3/8* [9.53]	0	0	0	0	0	0	25 [7.62]	50 [15.24]	75 [22.86]	72 [21.95]	70 [21.34]	68 [20.73]
2 Ton	3/8"	1/4 [6.35]	0	3 [0.91]	29 [8.84]	55 [16.76]	81 [24.69]	108 [32.92]	23 [7.01]	N/A	N/A	N/A	N/A	N/A
		5/16 [7.94]	0	0	0	0	0	0	25 [7.62]	36 [10.97]	29 [8.84]	23 [7.01]	16 [4.88]	9 [2.74]
		3/8* [9.53]	0	0	0	0	0	0	25 [7.62]	50 [15.24]	72 [21.95]	70 [21.34]	68 [20.73]	65 [19.81]
2 1/2 Ton	3/8"	1/4 [6.35]	0	14 [4.27]	56 [17.07]	98 [29.87]	N/A	N/A	25 [7.62]	N/A	N/A	N/A	N/A	N/A
		5/16 [7.94]	0	0	0	0	0	0	25 [7.62]	49 [14.94]	38 [11.58]	27 [8.23]	17 [5.18]	6 [1.83]
		3/8* [9.53]	0	0	0	0	0	0	25 [7.62]	50 [15.24]	68 [20.73]	65 [19.81]	62 [18.90]	58 [17.68]
3 Ton	3/8"	5/16 [7.94]	0	0	0	0	0	9 [2.74]	25 [7.62]	50 [15.24]	37 [11.28]	22 [6.71]	7 [2.13]	N/A
		3/8* [9.53]	0	0	0	0	0	0	25 [7.62]	50 [15.24]	68 [20.73]	63 [19.20]	58 [17.68]	53 [16.15]
3 1/2 Ton	3/8"	5/16 [7.94]	0	0	0	16 [4.88]	35 [10.67]	54 [16.46]	25 [7.62]	23 [7.01]	4 [1.22]	N/A	N/A	N/A
		3/8* [9.53]	0	0	0	0	0	0	25 [7.62]	50 [15.24]	43 [13.11]	36 [10.97]	30 [9.14]	24 [7.32]
4 Ton	3/8"	3/8* [9.53]	0	0	0	0	0	0	25 [7.62]	46 [14.02]	38 [11.58]	30 [9.14]	22 [6.71]	15 [4.57]
		1/2 [12.57]	0	0	0	0	0	0	25 [7.62]	50 [15.24]	56 [17.07]	55 [16.76]	53 [16.15]	52 [15.85]
5 Ton	3/8"	3/8* [9.53]	0	0	0	0	0	0	25 [7.62]	50 [15.24]	56 [17.07]	44 [13.41]	32 [9.75]	20 [6.10]
		1/2 [12.57]	0	0	0	0	0	0	25 [7.62]	50 [15.24]	75 [22.86]	81 [24.69]	79 [24.08]	76 [23.16]

NOTES: *Standard line size
N/A = Application not recommended.

Suction Line Length/Size versus Capacity Multiplier (R-410A)								
Unit Size	1 1/2 Ton	2 Ton	2 1/2 Ton	3 Ton	3 1/2 Ton	4 Ton	5 Ton	
Suction Line Connection Size	3/4" [19.05 mm] I.D.				7/8" [22.23 mm] I.D.			
Suction Line Run—Feet [m]	5/8" [15.88 mm] O.D. Opt. 3/4" [19.05 mm] O.D. Std.*		5/8" [15.88 mm] O.D. Opt. 3/4" [19.05 mm] O.D. Std.* 7/8" [22.23 mm] O.D. Opt.		3/4" [19.05 mm] O.D. Opt. 7/8" [22.23 mm] O.D. Std.*		7/8" [22.23 mm] O.D. Opt. 1 1/8" [28.58 mm] O.D. Std.*	
25' [7.62]	Optional Standard Optional	1.00 1.00 N/A	1.00 1.00 N/A	1.00 1.00 1.00	1.00 1.00 N/A	1.00 1.00 N/A	1.00 1.00 N/A	1.00 1.00 N/A
50' [15.24]	Optional Standard Optional	.98 .99 N/A	.98 .99 N/A	.96 .98 .99	.98 .99 N/A	.99 .99 N/A	.99 .99 N/A	.99 .99 N/A
100' [30.48]	Optional Standard Optional	.95 .96 N/A	.95 .96 N/A	.94 .96 .97	.96 .97 N/A	.96 .98 N/A	.96 .98 N/A	.97 .98 N/A
150' [45.72]	Optional Standard Optional	.92 .93 N/A	.92 .94 N/A	.91 .93 .95	.94 .95 N/A	.94 .96 N/A	.95 .96 N/A	.94 .97 N/A

NOTES: *Standard line size
Using suction line larger than shown in chart will result in poor oil return and is not recommended.

[] Designates Metric Conversions

<p>Before proceeding with installation, refer to installation instructions packaged with each model, as well as complying with all Federal, State, Provincial, and Local codes, regulations, and practices.</p>	<p>Rheem Heating, Cooling and Water Heating</p> <p>P.O. Box 17010, Fort Smith, AR 72917</p>	
--	--	---

"In keeping with its policy of continuous progress and product improvement, Rheem reserves the right to make changes without notice."